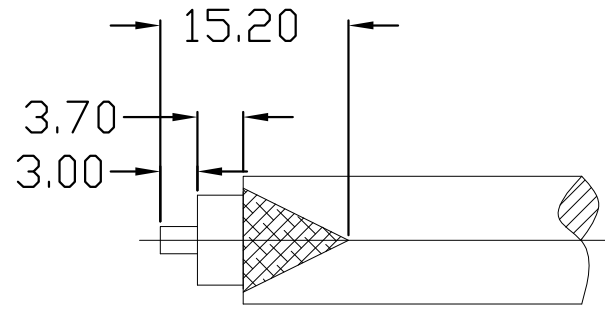
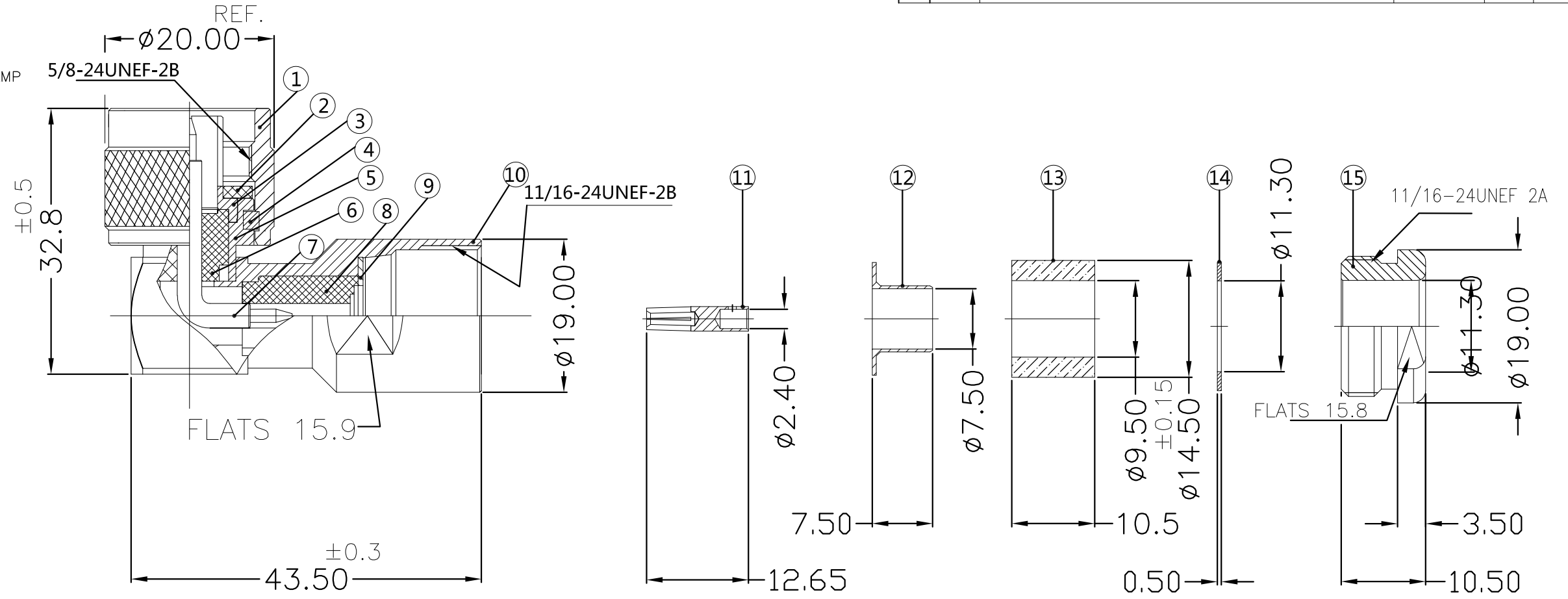


THIS DRAWING IS UNPUBLISHED. RELEASED FOR PUBLICATION  
 © COPYRIGHT - By - ALL RIGHTS RESERVED.

REVISIONS					
P	LTR	DESCRIPTION	DATE	DWN	APVD
	C	REVISED PER ECR-16-013330	20APR2017	BW	RS

- NOTES:
- 1 SINGLE PACK IN ACCORDANCE WITH AMP SPEC 107-3275
  - 2 100 TRAY PACK IN ACCORDANCE WITH AMP SPEC 107-3275
  - 3 Ag PLATING
  - 4 THIS ITEM MUST BE WHITE
  - 5. INSTRUCTION SHEET : 411-3275



RECOMMENDED CABLE STRIPPING DIMENSION

QTY	QTY PER ASSY	MATERIAL	DESCRIPTION	ITEM
1	1	BRASS	NUT	15
1	1	BRASS	WASHER	14
1	1	SILICON RUBBER	GASKET	13
1	1	BRASS	FURREL	12
1	1	PHOSPHOR BRONZE	CONTACT 2	11
1	1	BRASS	BODY 3	10
1	1	BRASS	CLAMP	9
1	1	PTFE	INSULATION	8
1	1	BRASS	CONTACT 1	7
1	1	PTFE	INSULATION	6
1	1	BRASS	BODY 2	5
1	1	PHOSPHOR BRONZE	RING	4
1	1	BRASS	BODY 1	3
1	1	SILICON RUBBER	GASKET	2
1	1	BRASS	SHELL	1
6--0	1--0	MATERIAL	DESCRIPTION	ITEM
QUANTITY PER ASSY		PARTS LIST		

THIS DRAWING IS A CONTROLLED DOCUMENT.		DWN	20APR2017		 TE Connectivity
		CHK	20APR2017		
		APVD	20APR2017		
		PRODUCT SPEC			
DIMENSIONS: mm		TOLERANCES UNLESS OTHERWISE SPECIFIED:		NAME	
		0 PLC ± -		TYPE N ELBOW PLUG SOLDER(PS) RG213 50 OHM	
		1 PLC ± -		-	
		2 PLC ± -		-	
		3 PLC ± -		-	
		4 PLC ± -		SIZE	
		ANGLES ± -		CAGE CODE	
		FINISH		DRAWING NO	
MATERIAL				RESTRICTED TO	
				-	
		WEIGHT		A300779	
		0		C-1478418	
CUSTOMER DRAWING		SCALE		SHEET	
		1:1		1 OF 1	
				REV	
				C	