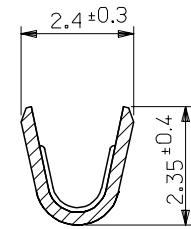
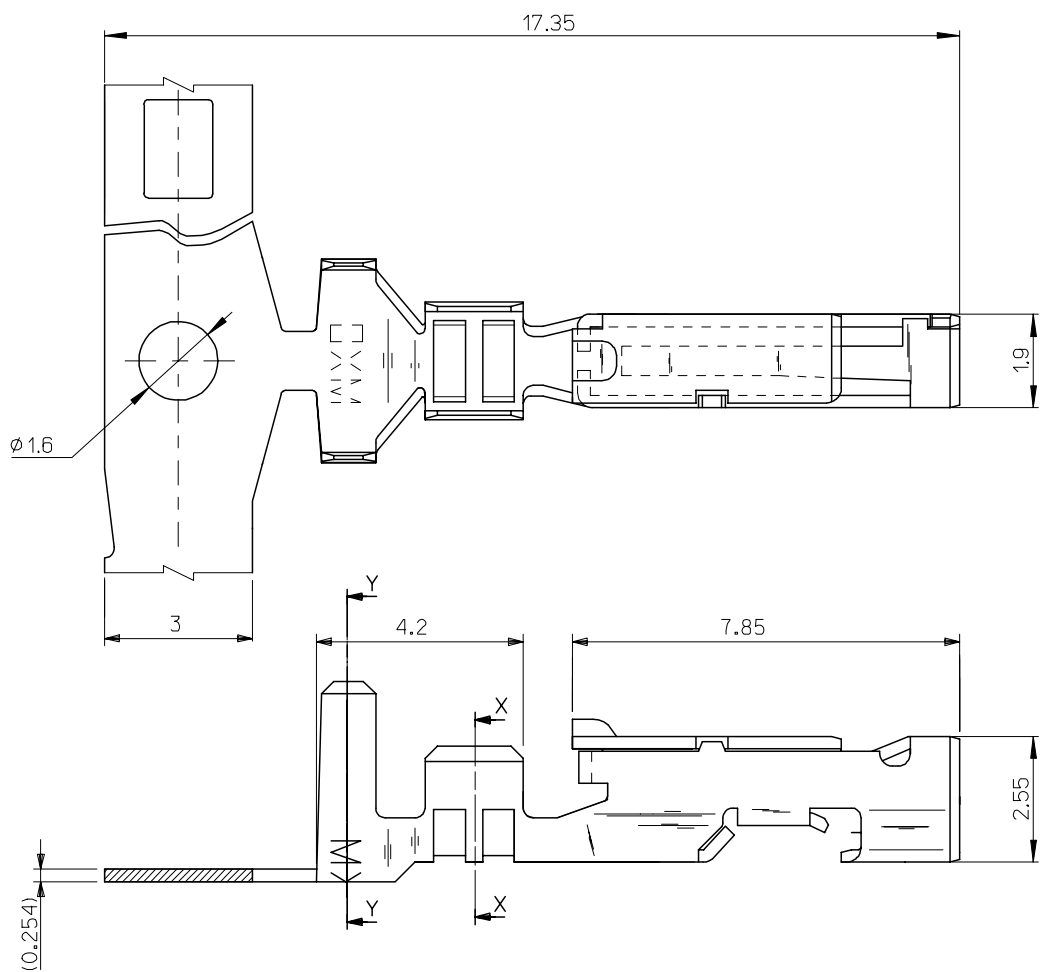
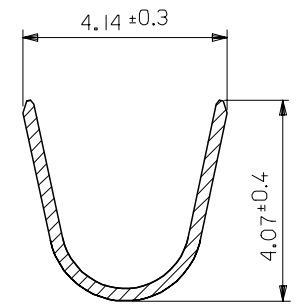


10 9 8 7 6 5 4 3 2 1

F
E
D
C
B
A



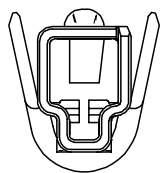
SECTION X-X



SECTION Y-Y

NOTES

1. 使用材料 : 銅合金、錫メッキ
MATERIAL : PRE-TINNED COPPER ALLOY
2. 適合ハウジング : 501328-****
APPLICABLE HS'G : 51347-****
51284-****
3. 適用電線サイズ : AWG#20-18
心線外径 : 0.51-0.87
被覆外径 : φ1.75-φ2.6



501395-1*00	501395-1100	バラ状 LOOSE
	501395-1000	連鎖状 CHAIN
MODEL NO.	MATERIAL NO.	FORM

RELEASED EC NO: J2005-2177 DRWN: TODA 2005/03/31 CHKD: K.ASAKAWA 2005/03/31 APPR: S.ICHIKAWA 2005/03/31	GENERAL TOLERANCES (UNLESS SPECIFIED)		DIMENSION STYLE	SCALE	DESIGN UNITS	THIRD ANGLE PROJECTION
			MM ONLY	10:1	METRIC	
	10 UNDER	±0.2	DRAWN BY	DATE	TITLE	
	10 OVER 30 UNDER	±0.25	T. ODA	'05/02/07	3.3 W/W,W/B CONN. REC. TERMINAL	
	30 OVER	±0.3	CHECKED BY	DATE		
ANGULAR	±3 °	K. ASAKAWA	'05/02/07			
DRAFT WHERE APPLICABLE MUST REMAIN WITHIN DIMENSIONS		APPROVED BY	DATE	MOLEX INCORPORATED		
		S. ICHIKAWA	'05/02/07	MATERIAL NO.		
		SEE CHART		DOCUMENT NO.	SHEET NO.	
				SD-501395-001	1 OF 1	
		THIS DRAWING CONTAINS INFORMATION THAT IS PROPRIETARY TO MOLEX INCORPORATED AND SHOULD NOT BE USED WITHOUT WRITTEN PERMISSION				