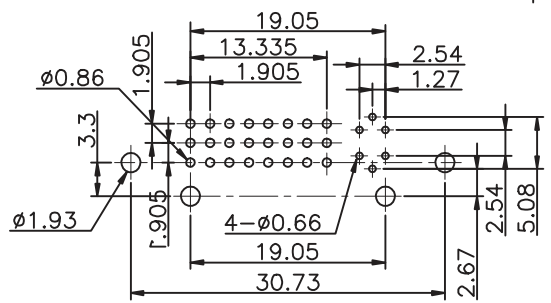
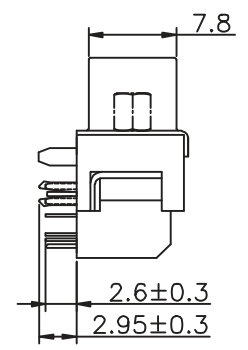
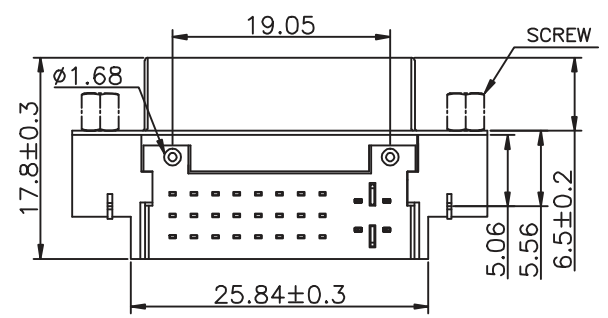


SCREW DETAILS



PCB LAYOUT - COMPONENT VIEW

TECHNICAL CHARACTERISTICS

MATERIAL
 INSULATOR: PBT
 COLOR: WHITE
 CONTACT MATERIAL: COPPER ALLOY
 CONTACT TYPE: STAMPED
 CONTACT PLATING: SELECTIVE GOLD
 SHIELDING: STEEL NICKEL PLATED
 QUALITY CLASS: 100 MATING CYCLES

ENVIRONMENTAL
 OPERATING TEMPERATURE: -25 UP TO 85°C
 FLAMABILITY RATING: UL94-V0
 COMPLIANCE: LEAD FREE AND ROHS

ELECTRICAL
 CURRENT RATING: 3A
 WORKING VOLTAGE: 40V
 INSULATOR RESISTANCE: >1000 MOHM
 DIELECTRIC WITHSTANDING VOLTAGE: 500V AC/MN
 CONTACT RESISTANCE: 20 mOHM MAX

STANDARD
 CERTIFIED: E323964 / MODEL NUMBER 675024321321

SOLDERING
 WAVE PROCESS ONLY

MOUNTED ACCESSORIES
 UNC 4-40 HEX SCREW / BOARD LOCK

PACKAGING
 TRAY

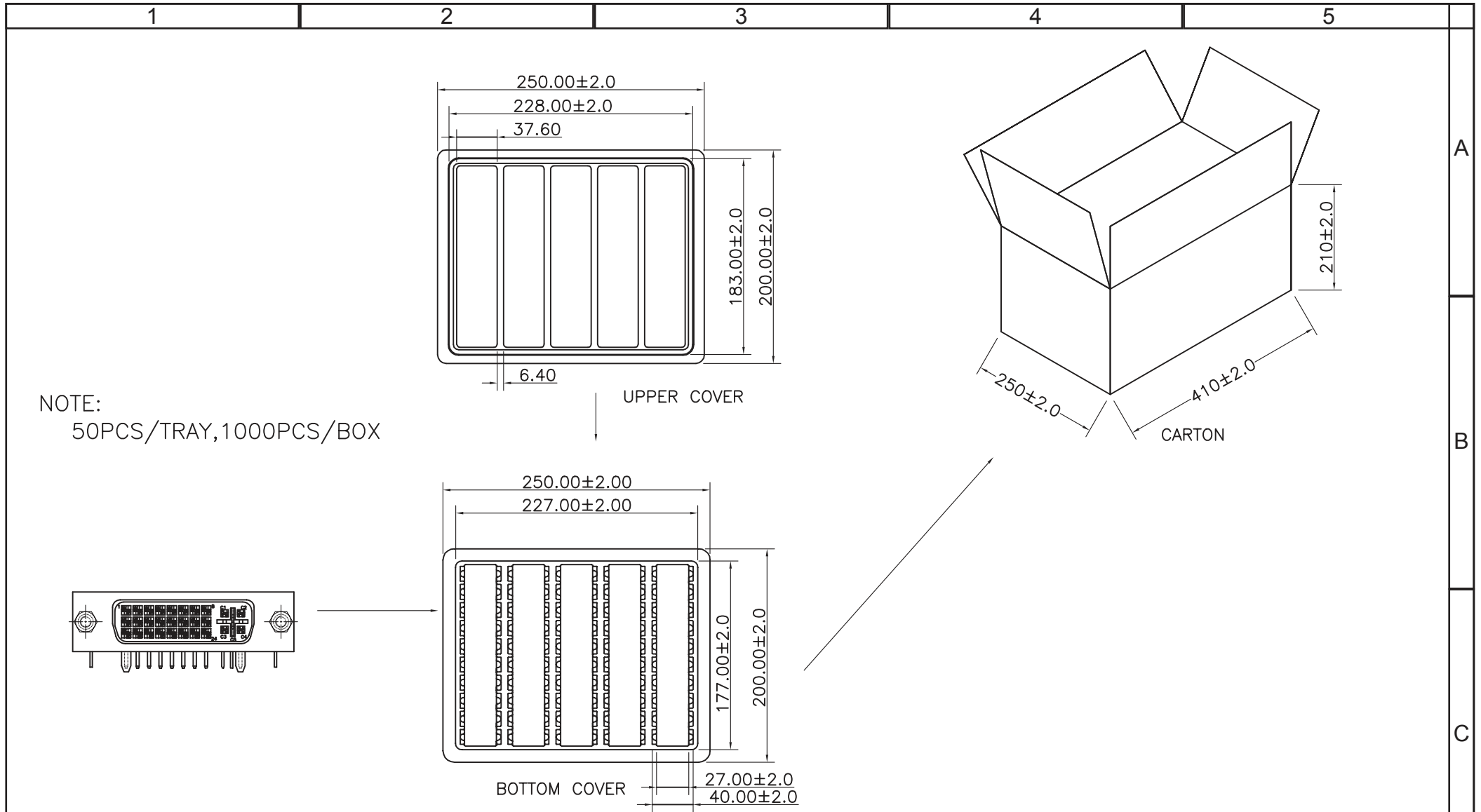
RoHS Compliant			
G			
F			
E	31-JAN-13	QUALITY CLASS	QL
D	12-AUG-11	SHIELDING	GG
C	08-JUL-10	PACKAGING	JC
B	19-NOV-09	STANDARD	JP
A	14-SEP-09	PIN BOTTOM VIEW	CH
REV	DATE	FILE	BY

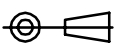

PROJECTION:	
APPROVAL: RJ	

GENERAL TOLERANCE
.X = +/- 0.2
.XX = +/- 0.15
UNIT: MM
SCALE:
SHEET: 1/2
DRAW: PEARL

DESCRIPTION: ANALOGIC & DIGITAL ANGLED DVI UNC 4-40 SCREW	
WERI PART NO: 675 024 321 321	

SIZE
A4



RoHS Compliant				PROJECTION: 	GENERAL TOLERANCE .X = +/- 0.2 .XX = +/- 0.15		DESCRIPTION: ANALOGIC & DIGITAL ANGLED DVI UNC 4-40 SCREW	SIZE A4
G								
F				APPROVAL: RJ	SCALE:			
E					SHEET: 1/2			
D					DRAW: PEARL			
C								
B								
A								
REV	DATE	FILE	BY					