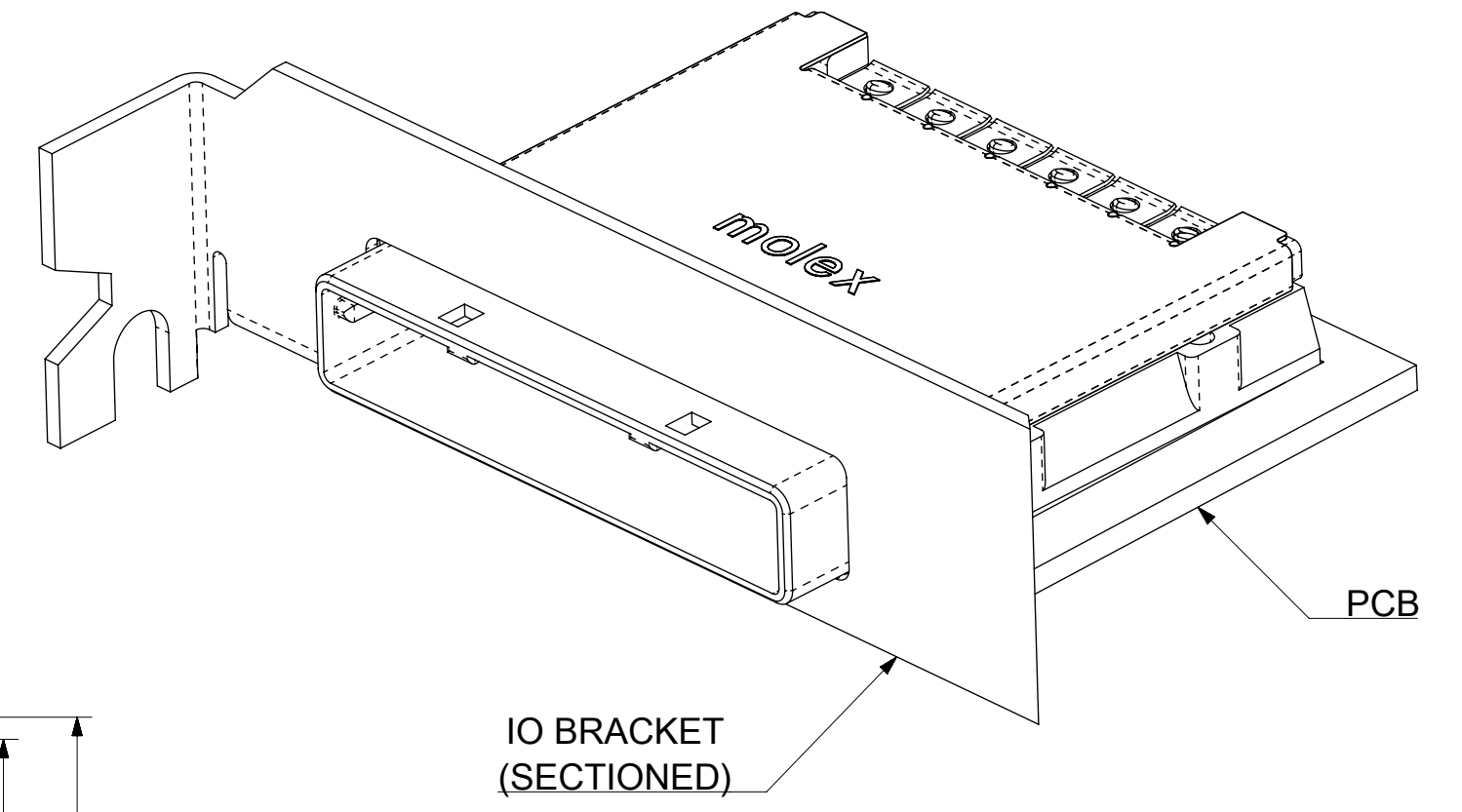
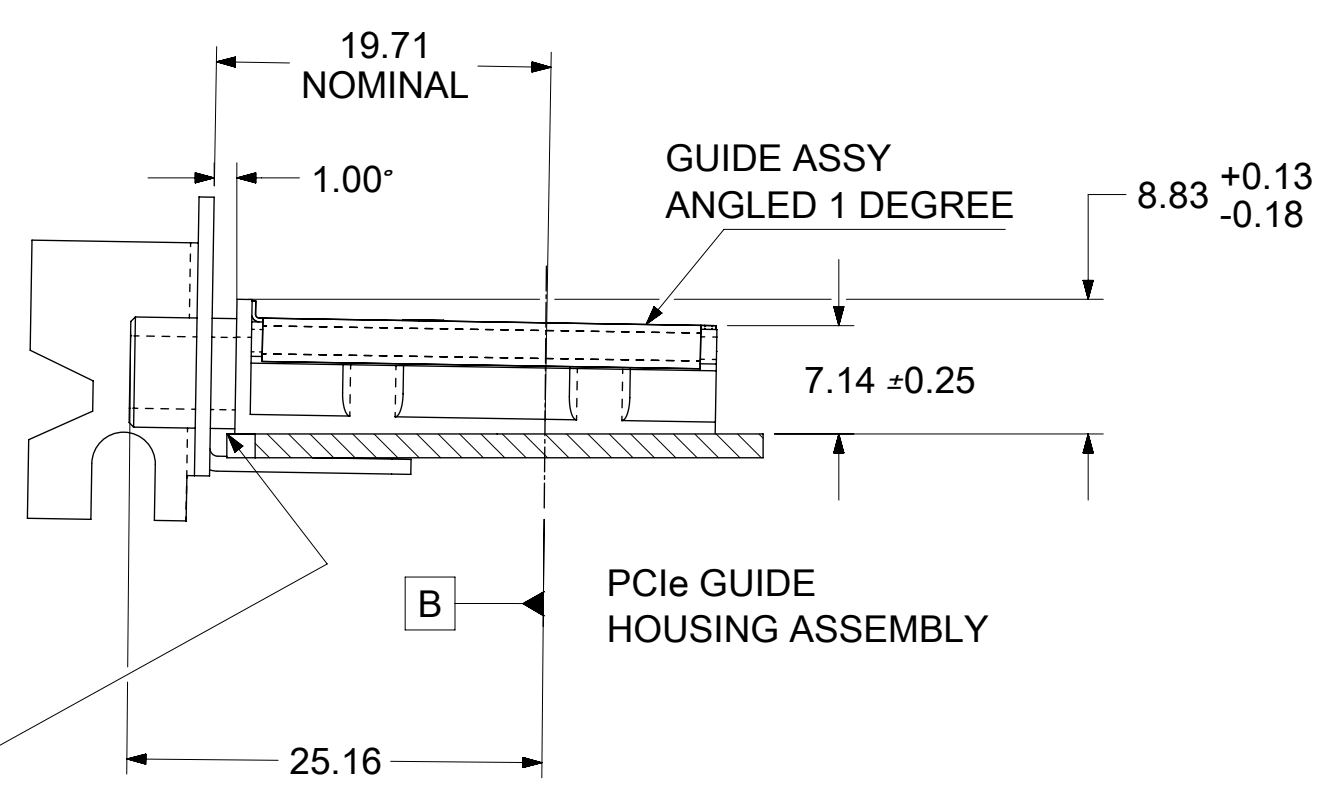


PCIe EXPANSION CARD APPLICATION SHOWN USING 1 DEGREE GUIDE HOUSING ASSEMBLY

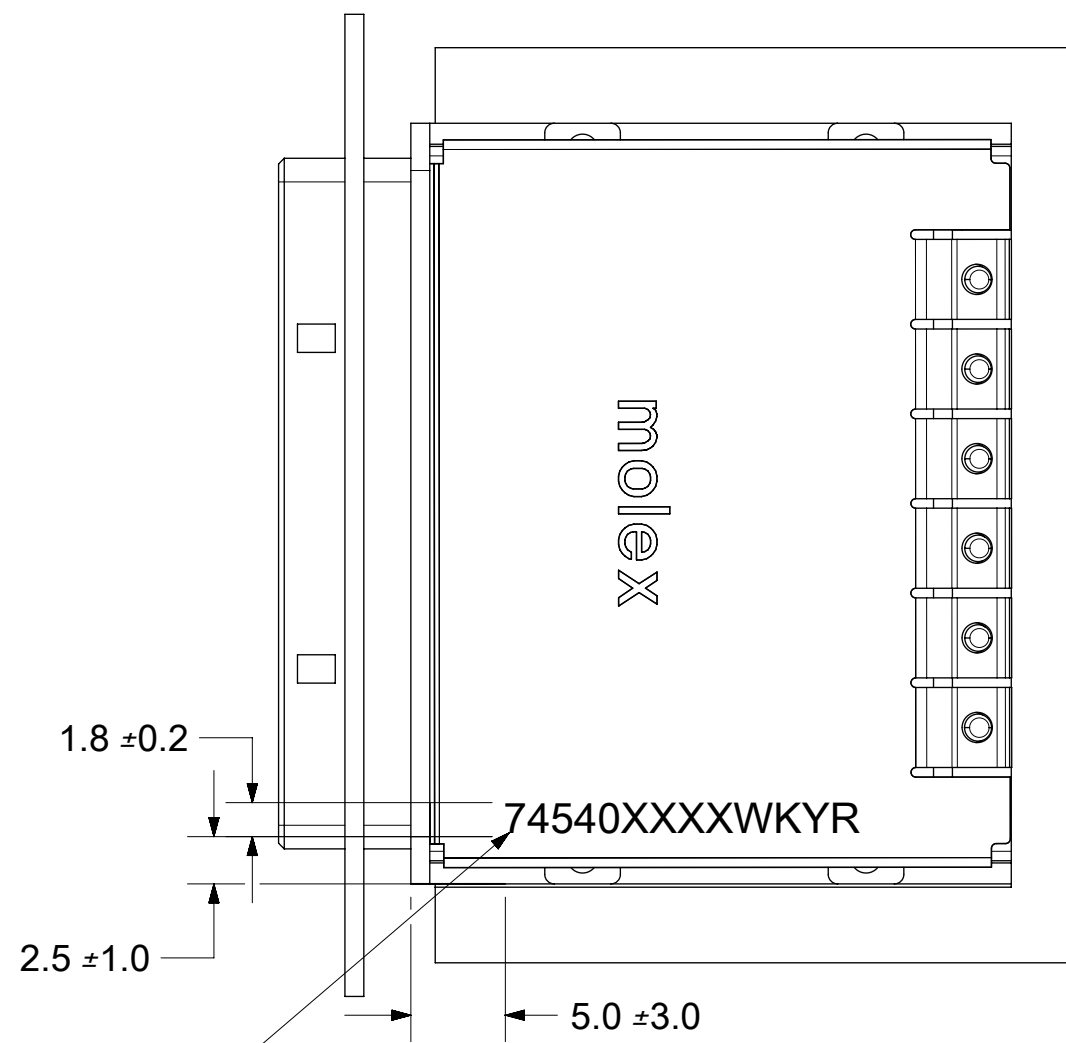


- NOTES:
- REF. PCI EXPRESS CARD ELECTROMECHANICAL SPECIFICATION, REV 1.0a FOR IO BRACKET WINDOW LOCATION.
 - PCB AND IO BRACKET SHOWN FOR REFERENCE ONLY.
 - REFER TO SHEET 2 FOR ATCA GUIDE HOUSING ASSY. SEE SHEET 3 FOR SCREEN LENGTH + TORQUE SPEC.
 - GUIDE HOUSING MOUNTING THREAD=M2 X 0.4
 - PCB NOTCH IS SHOWN FOR PCI COMPLIANT BOARD.
 - THIS PRODUCT MEETS THE RESTRICTIONS OF HAZARDOUS SUBSTANCES IN ELECTRICAL AND ELECTRONIC EQUIPMENT (RoHS) DIRECTIVE (2002/95/EC)
 - PLATE GROUND PAD WITH EMERSION SILVER OR GOLD.
 - MATES WITH MOLEX 8X CABLE SERIES 74546-080X.
 - GUIDE HOUSING PEGS FOR ALIGNMENT ONLY. "DO NOT SOLDER"



iPass™ is a trademark of Molex

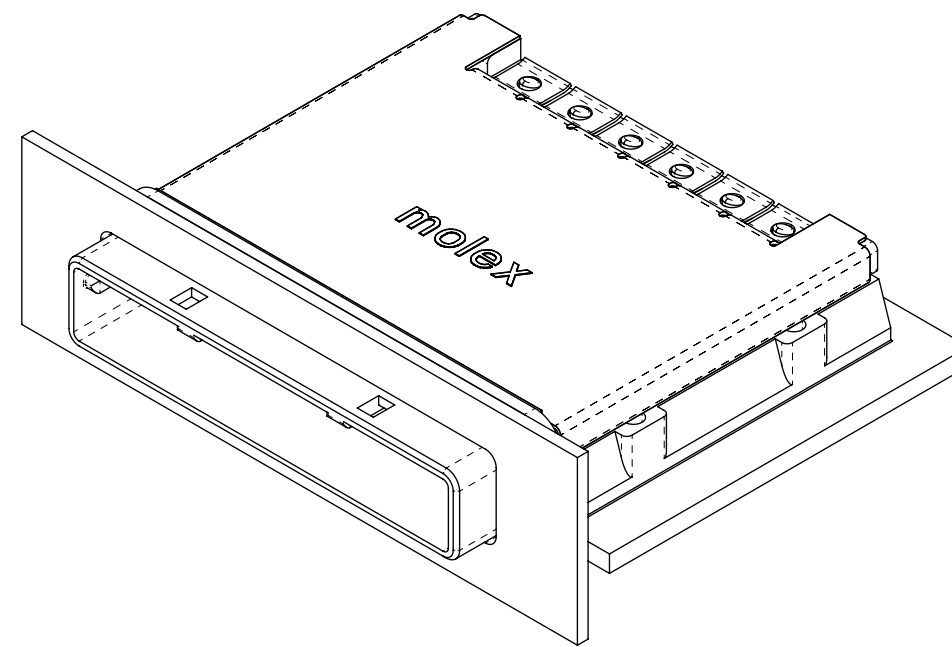
THIS DRAWING CONTAINS INFORMATION THAT IS PROPRIETARY TO MOLEX ELECTRONIC TECHNOLOGIES, LLC AND SHOULD NOT BE USED WITHOUT WRITTEN PERMISSION									
DIMENSION UNITS		SCALE		CURRENT REV DESC: OBSOLETE PART NO					
mm		2:1		<p>molex</p> <p>I-PASS X8 EMI GUIDE HOUSING ASSEMBLY</p> <p>PRODUCT CUSTOMER DRAWING</p> <p>DOCUMENT NUMBER: 745400100 DOC TYPE: PSD DOC PART: ASY REVISION: R1</p> <p>MATERIAL NUMBER: SEE TABLE CUSTOMER: SHEET NUMBER: 1 OF 4</p>					
GENERAL TOLERANCES (UNLESS SPECIFIED)									
ANGULAR TOL ± 0.5°									
4 PLACES ±									
3 PLACES ±									
2 PLACES ± 0.05				EC NO: 625872		2019/06/18			
1 PLACE ± 0.1				DRWN: AKUMAR19		2019/11/06			
0 PLACES ±				CHK'D: GB		2019/11/12			
DRAFT WHERE APPLICABLE MUST REMAIN WITHIN DIMENSIONS				THIRD ANGLE PROJECTION		DRAWING		SERIES	
		C-SIZE		74540					



P/N AND WEEK/YEAR DATE CODE TO BE PRINTED ON THE TOP OF COMPLETED CAGE ASSEMBLY AS SHOWN. SEE TABLE BELOW FOR DATE CODE INFORMATION.

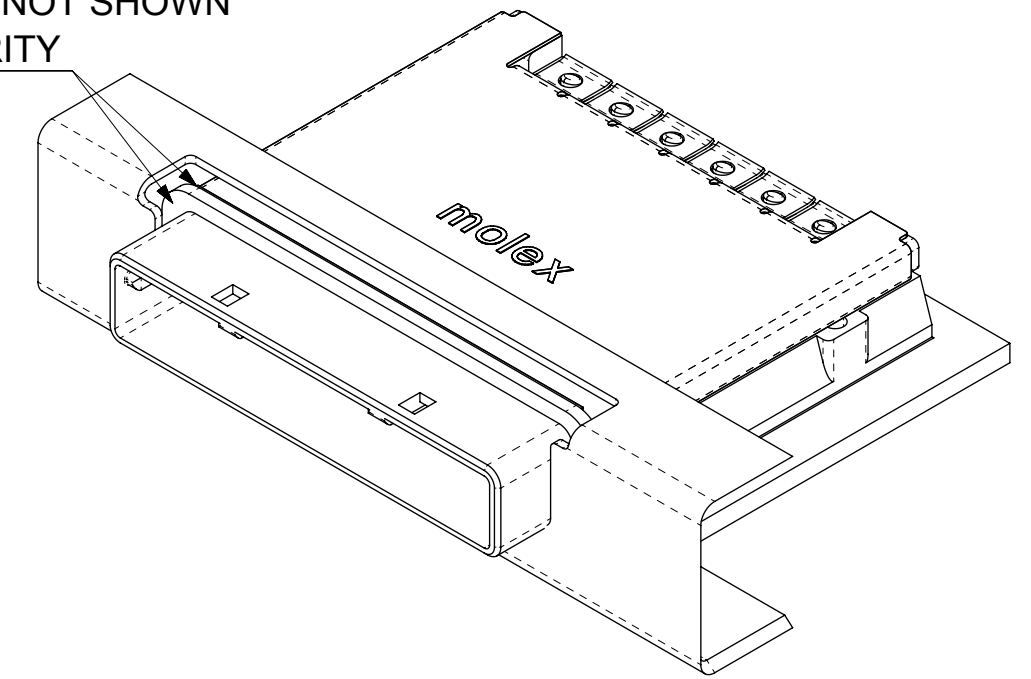
WEEK/YEAR DATE CODE TABLE

WK	WEEK OF THE YEAR 01 THRU 52 (EXAMPLE: 01= FIRST WEEK OF YEAR 52= LAST WEEK OF YEAR)
YR	19, 20, 21,, ETC.. (EXAMPLE: YEAR 2019= 19)

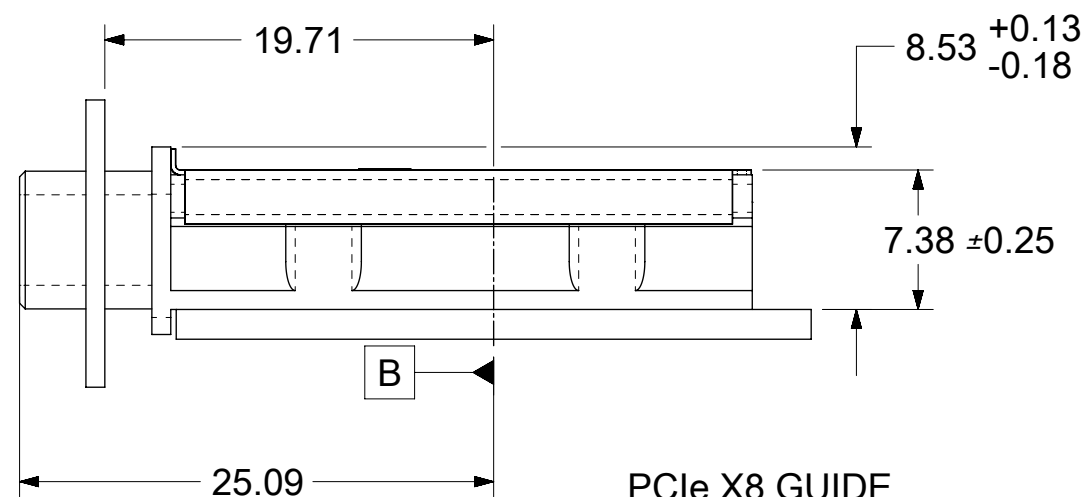
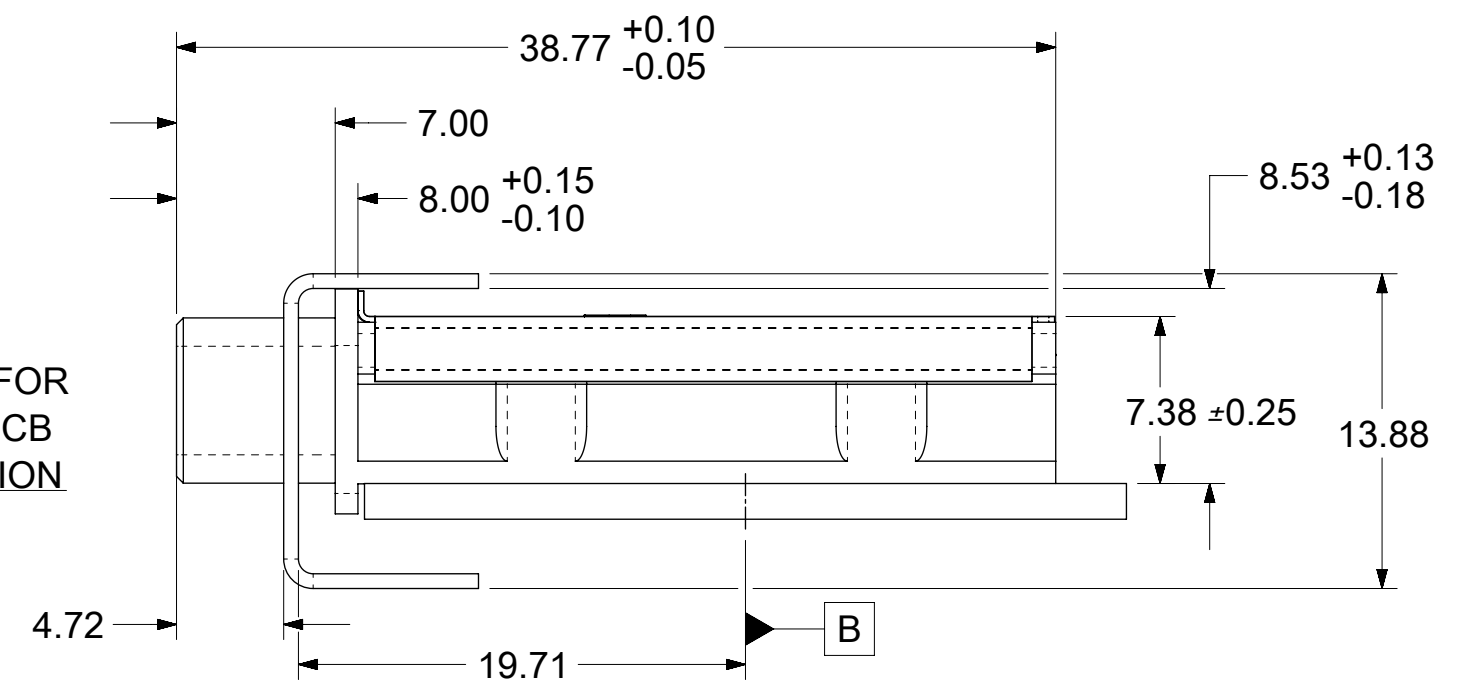
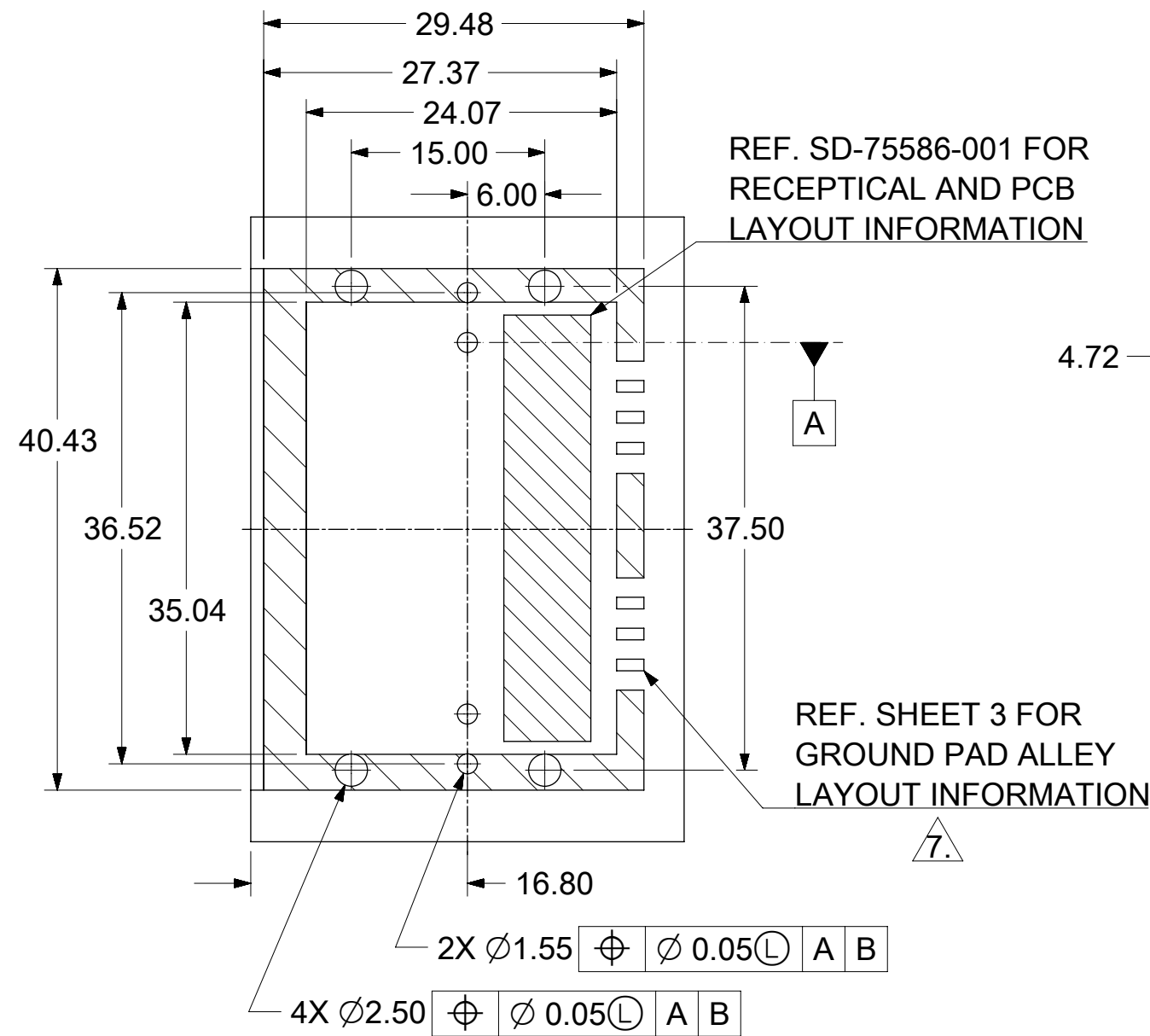


STANDARD APPLICATION SHOWN USING 0 DEG GUIDE HOUSING ASSEMBLY

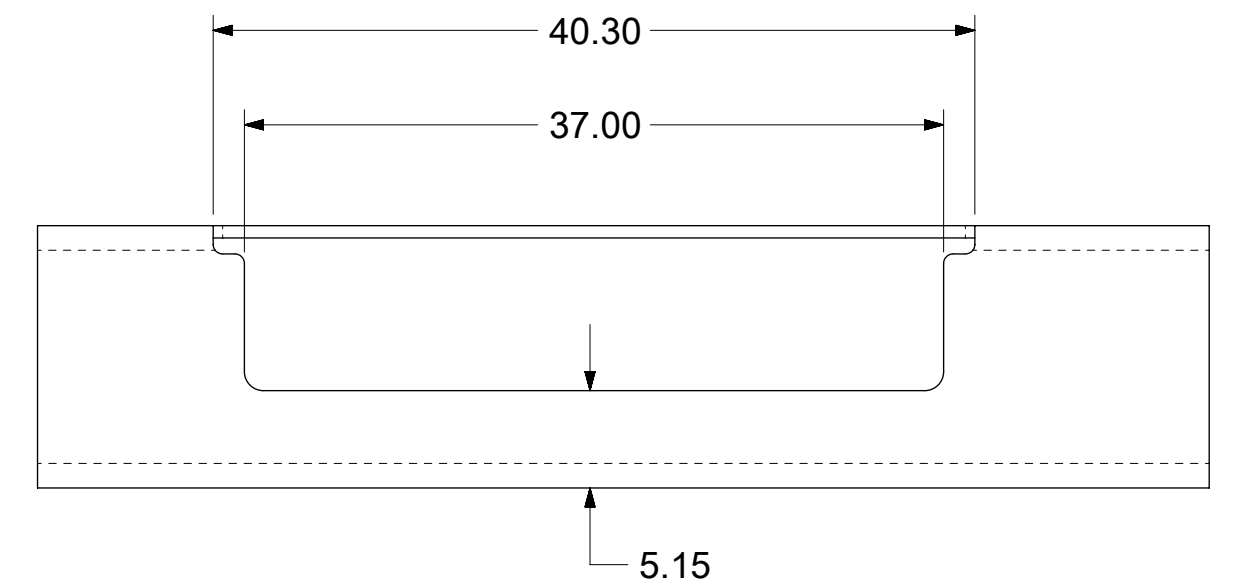
GASKETS NOT SHOWN FOR CLARITY



ADVANCED TCA APPLICATION USING 0 DEG GUIDE HOUSING ASSEMBLY



PCIe X8 GUIDE HOUSING ASSEMBLY

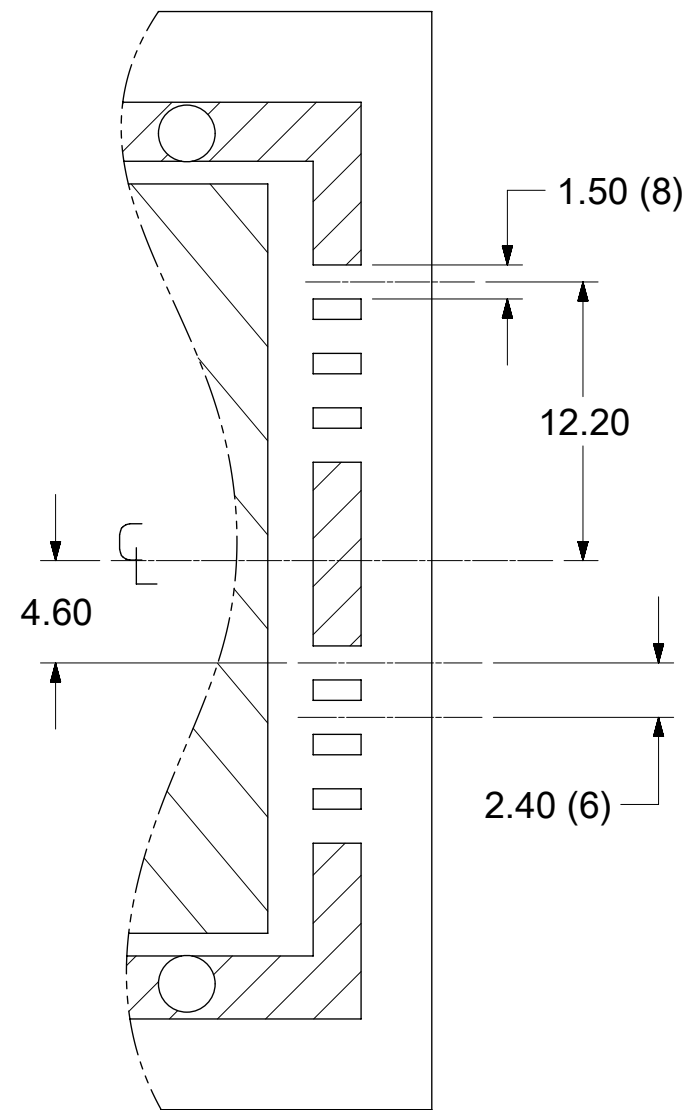


iPass™ is a trademark of Molex

THIS DRAWING CONTAINS INFORMATION THAT IS PROPRIETARY TO MOLEX ELECTRONIC TECHNOLOGIES, LLC AND SHOULD NOT BE USED WITHOUT WRITTEN PERMISSION		CURRENT REV DESC: OBSOLETE PART NO		molex	
DIMENSION UNITS	SCALE	EC NO: 625872			
mm	1:1	DRWN: AKUMAR19 2019/06/18		I-PASS X8 EMI GUIDE HOUSING ASSEMBLY	
GENERAL TOLERANCES (UNLESS SPECIFIED)		CHK'D: GB 2019/11/06			
ANGULAR TOL	± 0.5°	APPR: GGA 2019/11/12		PRODUCT CUSTOMER DRAWING	
4 PLACES	±	INITIAL REVISION:		DOCUMENT NUMBER	
3 PLACES	±	DRWN: NMUTHARAYAPP 2018/12/13		745400100	
2 PLACES	± 0.05	APPR: RCHEN08 2019/01/15		DOC TYPE DOC PART REVISION	
1 PLACE	± 0.1	DRAFT WHERE APPLICABLE MUST REMAIN WITHIN DIMENSIONS		PSD ASY R1	
0 PLACES	±	THIRD ANGLE PROJECTION	DRAWING	SERIES	MATERIAL NUMBER
			C-SIZE	74540	SEE TABLE
DOCUMENT STATUS		CUSTOMER		SHEET NUMBER	
P1	RELEASE DATE			2 OF 4	
	2019/11/12 07:19:34				

MOLEX P/N	DESCRIPTION	GEN
745400205	8x EMI Guide Housing Assembly - W/O Gasket - ATCA / 0 Deg	Gen 1

PCB THICKNESS	SCREW LENGTH	TORQUE(IN LBS)
1.6	5MM	2.3
2.38	6MM	2.3
3.2	6MM	2.3
	+4MM MAX	2.3



PARTIAL1
SCALE 2:1
GROUND PAD ALLEY
LAYOUT INFORMATION



THIS DRAWING CONTAINS INFORMATION THAT IS PROPRIETARY TO MOLEX ELECTRONIC TECHNOLOGIES, LLC AND SHOULD NOT BE USED WITHOUT WRITTEN PERMISSION									
DIMENSION UNITS		SCALE		CURRENT REV DESC: OBSOLETE PART NO				molex	
mm		1:1							
GENERAL TOLERANCES (UNLESS SPECIFIED)				EC NO: 625872				I-PASS X8 EMI GUIDE HOUSING ASSEMBLY	
ANGULAR TOL ± 0.5°				DRWN: AKUMAR19 2019/06/18					
4 PLACES ±				CHK'D: GB 2019/11/06				PRODUCT CUSTOMER DRAWING	
3 PLACES ±				APPR: GGA 2019/11/12					
2 PLACES ± 0.05				INITIAL REVISION:				DOCUMENT NUMBER	
1 PLACE ± 0.1				DRWN: NMUTHARAYAPP 2018/12/13					
0 PLACES ±				APPR: RCHEN08 2019/01/15				745400100	
DRAFT WHERE APPLICABLE MUST REMAIN WITHIN DIMENSIONS		THIRD ANGLE PROJECTION		DRAWING		SERIES		MATERIAL NUMBER	
				C-SIZE		74540		SEE TABLE	
CUSTOMER		SHEET NUMBER		DOC TYPE		DOC PART		REVISION	
		3 OF 4		PSD		ASY		R1	

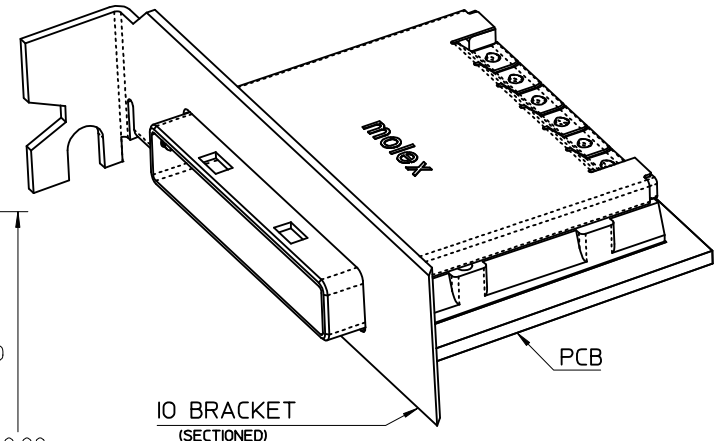
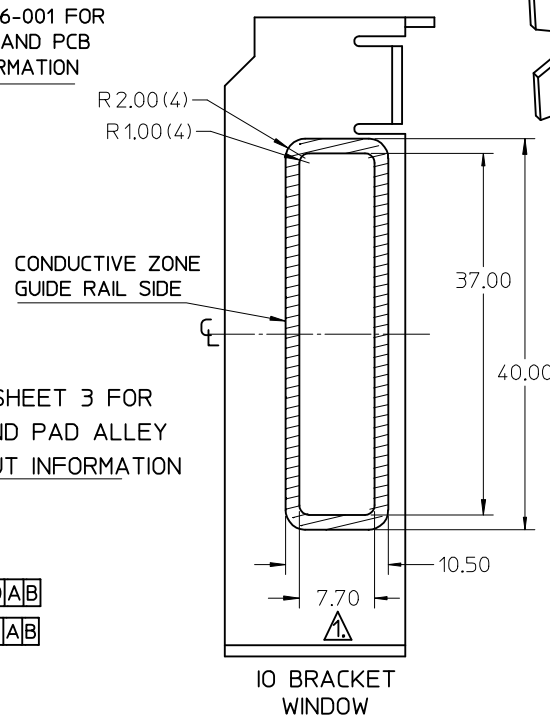
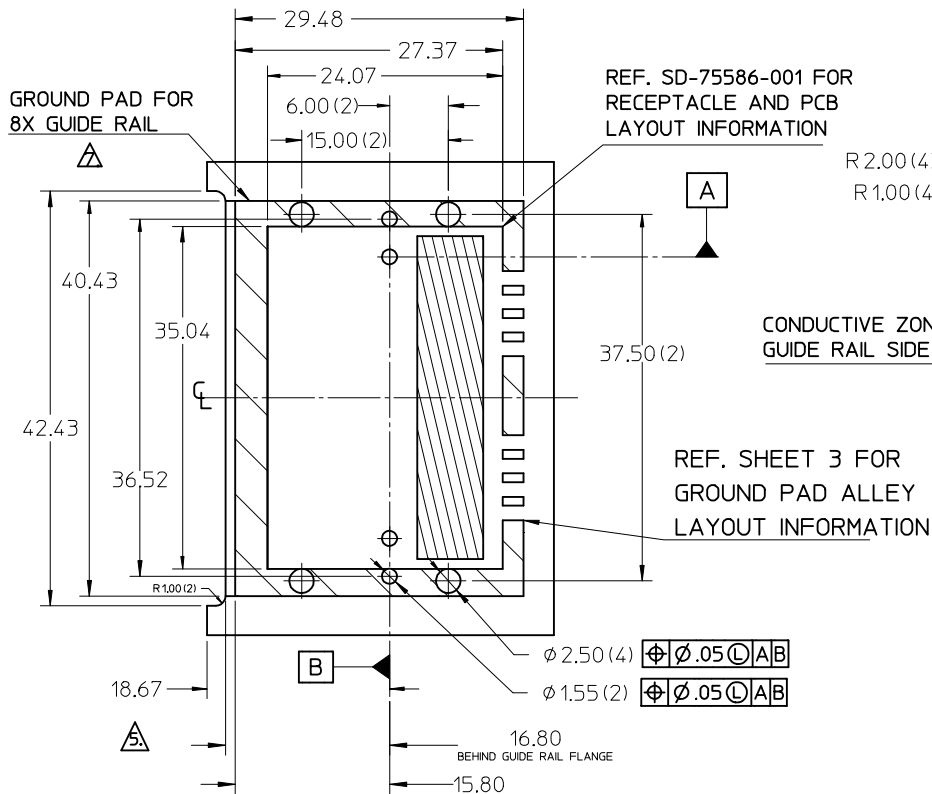
DOCUMENT STATUS	P1	RELEASE DATE	2019/11/12 07:19:34
-----------------	----	--------------	---------------------

H
G
F
E
D
C
B
A

REV	DATE	DESCRIPTION
R	2019/01/15	1. REMASTERD FROM SD-74540-100 REV_Q TO 745400100 PSD ASY REV_R IN NX 2. SHEET 2: G10: ADDED TOP VIEW AND PLACED INK MARK IN TOP VIEW 3. SHEET 4: ADDED REVISION TABLE
R1	2019/06/18	1. OBSOLETED PART NUMBERS 745400100, 745400200.

THIS DRAWING CONTAINS INFORMATION THAT IS PROPRIETARY TO MOLEX ELECTRONIC TECHNOLOGIES, LLC AND SHOULD NOT BE USED WITHOUT WRITTEN PERMISSION

DIMENSION UNITS	SCALE	CURRENT REV DESC: OBSOLETED PART NO	molex			
mm	1:1					
GENERAL TOLERANCES (UNLESS SPECIFIED)		EC NO: 625872 DRWN: AKUMAR19 2019/06/18 CHK'D: GB 2019/11/06 APPR: GGA 2019/11/12	I-PASS X8 EMI GUIDE HOUSING ASSEMBLY			
ANGULAR TOL	± 0.5°		PRODUCT CUSTOMER DRAWING			
4 PLACES	±		DOCUMENT NUMBER			
3 PLACES	±		745400100			
2 PLACES	± 0.05		DOC TYPE	DOC PART	REVISION	
1 PLACE	± 0.1	PSD	ASY	R1		
0 PLACES	±	INITIAL REVISION:		SHEET NUMBER		
DRAFT WHERE APPLICABLE MUST REMAIN WITHIN DIMENSIONS		DRWN: NMUTHARAYAPP 2018/12/13	MATERIAL NUMBER		CUSTOMER	
THIRD ANGLE PROJECTION		APPR: RCHEN08 2019/01/15	SEE TABLE		4 OF 4	
		DRAWING	SERIES			
		C-SIZE	74540			



PCIe EXPANSION CARD APPLICATION SHOWN USING 1 DEGREE GUIDE HOUSING ASSEMBLY

- NOTES:
- REF. PCI EXPRESS CARD ELECTROMECHANICAL SPECIFICATION, REV 1.0a FOR IO BRACKET WINDOW LOCATION.
 - PCB AND IO BRACKET SHOWN FOR REFERENCE ONLY.
 - REFER TO SHEET 2 FOR ATCA GUIDE HOUSING ASSY. SEE SHEET 3 FOR SCREEN LENGTH + TORQUE SPEC.
 - GUIDE HOUSING MOUNTING THREAD= M2 X 0.4
 - PCB NOTCH IS SHOWN FOR PCI COMPLIANT BOARD.
 - THIS PRODUCT MEETS THE RESTRICTIONS OF HAZARDOUS SUBSTANCES IN ELECTRICAL AND ELECTRONIC EQUIPMENT (RoHS) DIRECTIVE (2002/95/EC)
 - PLATE GROUND PAD WITH EMERSON SILVER OR GOLD.
 - MATES WITH MOLEX 8X CABLE SERIES 74546-080X.
 - GUIDE HOUSING PEGS FOR ALIGNMENT ONLY. 'DO NOT SOLDER'

iPass™ is a trademark of Molex

I-PASS X8 EMI GUIDE HOUSING ASSEMBLY

MOLEX INCORPORATED

DOCUMENT NO. SD-74540-100

SHEET NO. 1 OF 3

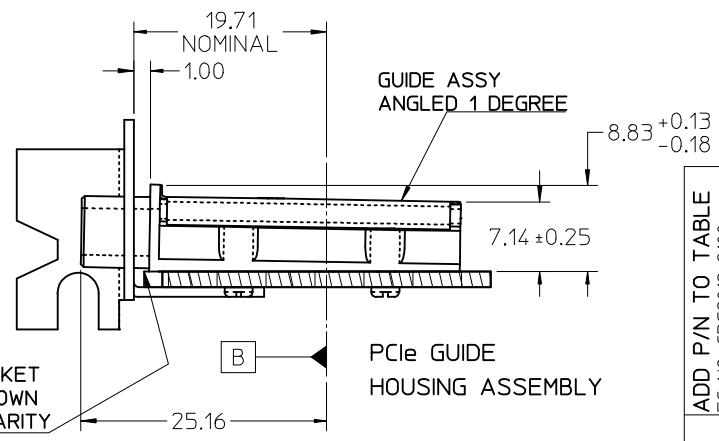
ADD P/N TO TABLE	EC NO: CPG2012-2100
	DRWN:TPRATT 2012/06/28
	CHKD:AJOHNSTON 2012/06/28
	APPR:KLOYD 2012/07/06
REV	DESCRIPTION

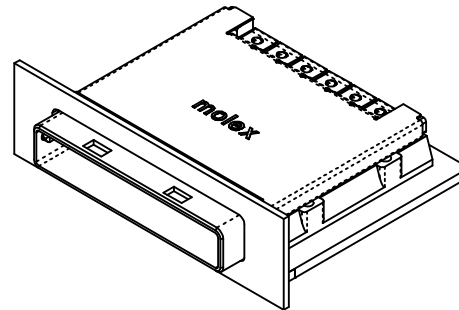
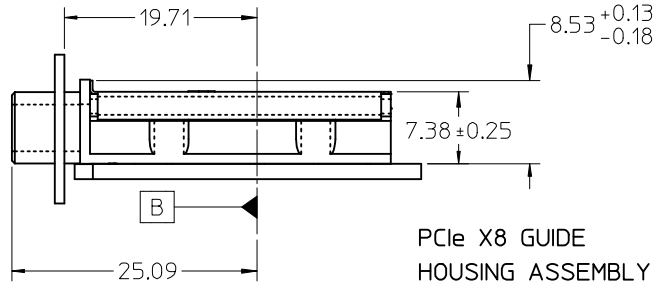
QUALITY SYMBOLS	▽=0
	▽=0

GENERAL TOLERANCES (UNLESS SPECIFIED)	mm	INCH
	4 PLACES ± ---	± ---
	3 PLACES ± ---	± ---
	2 PLACES ± 0.05	± ---
	1 PLACE ± 0.10	± ---
	ANGULAR ± 1/2°	
DRAFT WHERE APPLICABLE MUST REMAIN WITHIN DIMENSIONS		

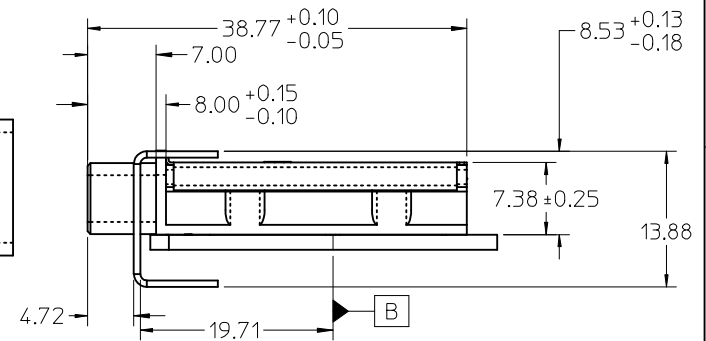
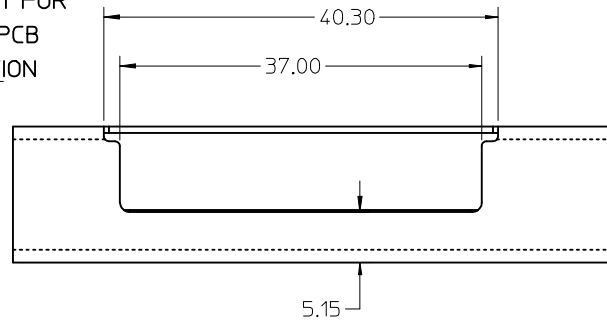
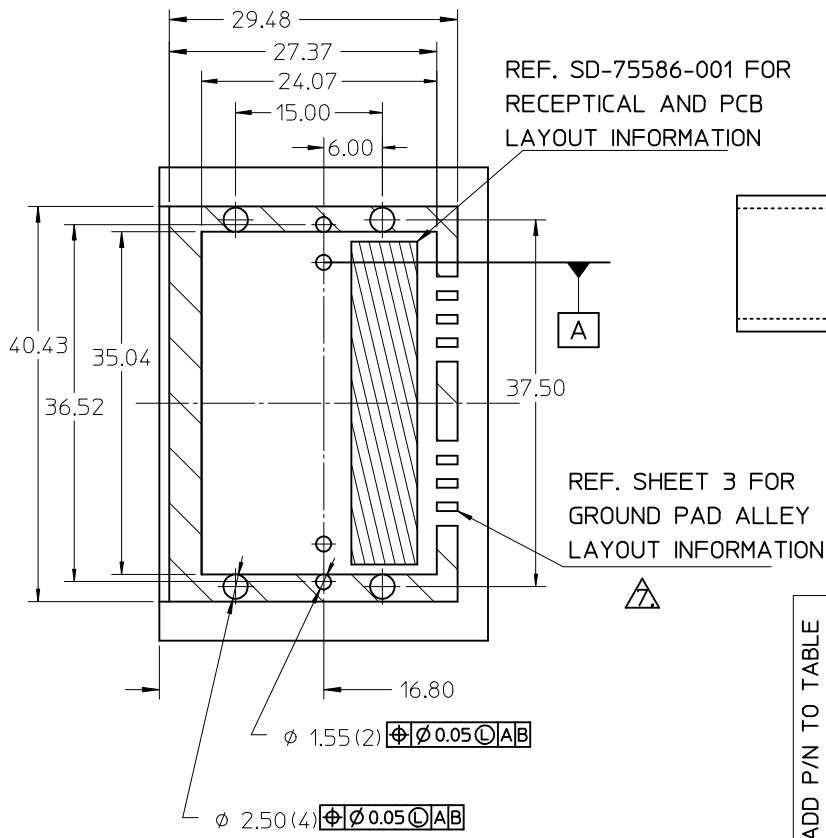
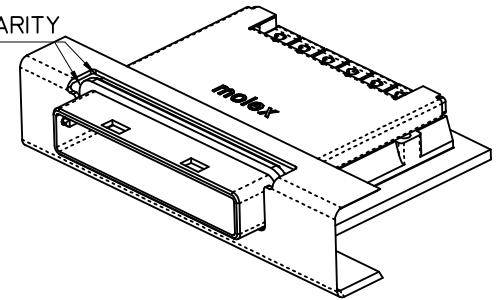
DIMENSION STYLE	
MM ONLY	
DRAWN BY	DATE
BREED	2004/11/11
CHECKED BY	DATE
DDOYE	2004/11/11
APPROVED BY	DATE
DDOYE	2004/11/11
MATERIAL NO.	SEE TABLE
SIZE	B

SCALE	2:1
DESIGN UNITS	METRIC
THIRD ANGLE PROJECTION	
MATERIAL NO. SEE TABLE	
DOCUMENT NO.	SD-74540-100
THIS DRAWING CONTAINS INFORMATION THAT IS PROPRIETARY TO MOLEX INCORPORATED AND SHOULD NOT BE USED WITHOUT WRITTEN PERMISSION	





GASKETS NOT SHOWN FOR CLARITY

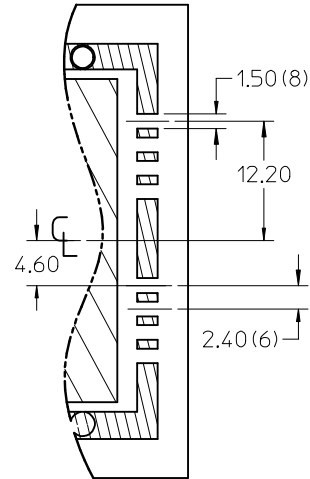


iPass™ is a trademark of Molex

ADD P/N TO TABLE EC NO: CPG2012-2100 DRAWN: TPRAATT 2012/06/28 CHKD: AJOHNSTON 2012/06/28 APPR: KLLOYD 2012/07/06 REV DESCRIPTION	QUALITY SYMBOLS	GENERAL TOLERANCES (UNLESS SPECIFIED)	DIMENSION STYLE	SCALE	DESIGN UNITS	THIRD ANGLE PROJECTION	
	$\nabla=0$ $\nabla=0$	mm INCH	MM ONLY	1:1	METRIC		
		4 PLACES ± --- ± ---	DRAWN BY DATE	TITLE			
		3 PLACES ± --- ± ---	BREED 2004/11/11				
		2 PLACES ± 0.05 ± ---	CHECKED BY DATE	I-PASS X8 EMI GUIDE HOUSING ASSEMBLY			
	1 PLACE ± 0.10 ± ---	DDOYE 2004/11/11					
	ANGULAR ± 1/2°	APPROVED BY DATE	MOLEX INCORPORATED				
		DDOYE 2004/11/11					
	DRAFT WHERE APPLICABLE MUST REMAIN WITHIN DIMENSIONS	MATERIAL NO.	SEE TABLE	DOCUMENT NO.	SHEET NO.		
		SIZE B		SD-74540-100	2 OF 3		
		THIS DRAWING CONTAINS INFORMATION THAT IS PROPRIETARY TO MOLEX INCORPORATED AND SHOULD NOT BE USED WITHOUT WRITTEN PERMISSION					

MOLEX P/N	DESCRIPTION	GEN
745400100	8x EMI Guide Housing Assembly - PCIe / 1 Deg	Gen 1
745400200	8x EMI Guide Housing Assembly - ATCA / 0 Deg	Gen 1
745400205	8x EMI Guide Housing Assembly - W/O Gasket - ATCA / 0 Deg	Gen 1

PCB THICKNESS	SCREW LENGTH	TORQUE (IN LBS)
1.6 (.063")	5MM	2.3
2.38 (.093")	6MM	2.3
3.2 (.125")	6MM	2.3
	+4MM MAX	2.3

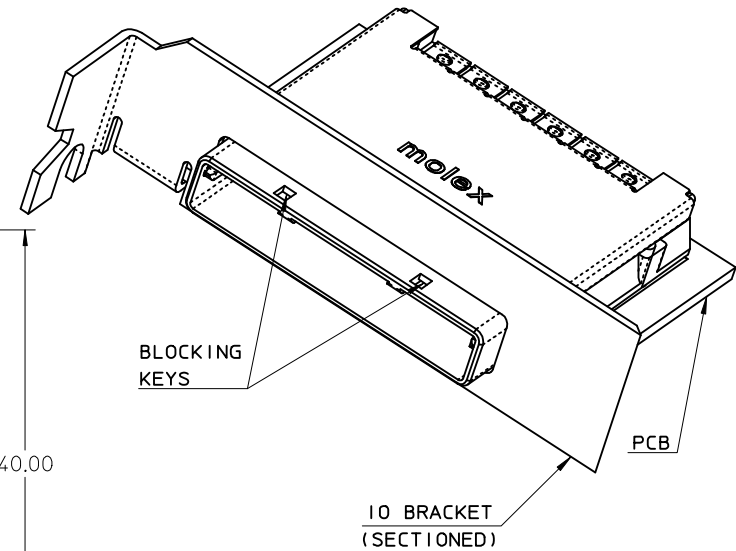
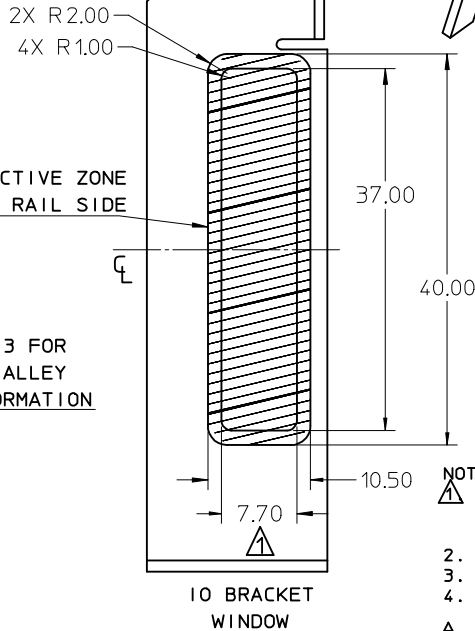
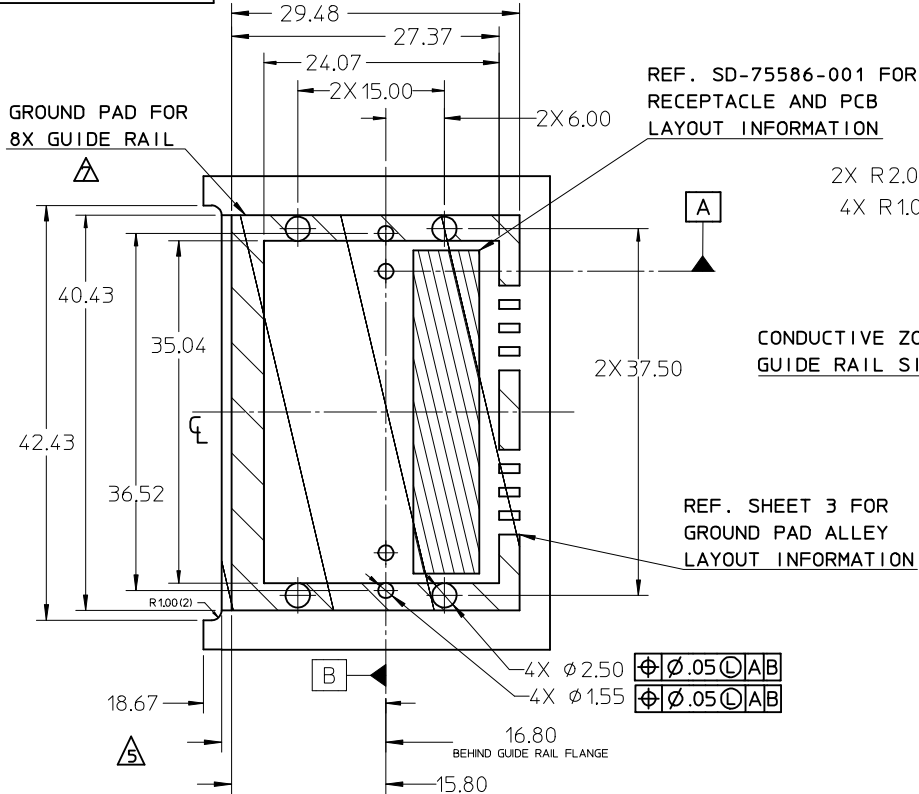


PARTIAL1
SCALE 2:1
GROUND PAD ALLEY
LAYOUT INFORMATION



ADD P/N TO TABLE EC NO: CPG2012-2100 DRAWN: TPRAATT 2012/06/28 CHKD: A JOHNSTON 2012/06/28 APPR: K LLOYD 2012/07/06	DESCRIPTION REV	QUALITY SYMBOLS	GENERAL TOLERANCES (UNLESS SPECIFIED)	DIMENSION STYLE	SCALE	DESIGN UNITS	THIRD ANGLE PROJECTION	
		▼=0 ▽=0	mm INCH 4 PLACES ± --- ± --- 3 PLACES ± --- ± --- 2 PLACES ± 0.05 ± --- 1 PLACE ± 0.10 ± --- ANGULAR ± 1/2°	MM ONLY	1:1	METRIC	DRAWN BY DATE BREED 2004/11/11 CHECKED BY DATE DDOYE 2004/11/11 APPROVED BY DATE DDOYE 2004/11/11	TITLE I-PASS X8 EMI GUIDE HOUSING ASSEMBLY
		DRAFT WHERE APPLICABLE MUST REMAIN WITHIN DIMENSIONS	SEE TABLE	MATERIAL NO.	DOCUMENT NO.	SHEET NO.	MOLEX INCORPORATED SD-74540-100 3 OF 3	
		THIS DRAWING CONTAINS INFORMATION THAT IS PROPRIETARY TO MOLEX INCORPORATED AND SHOULD NOT BE USED WITHOUT WRITTEN PERMISSION						

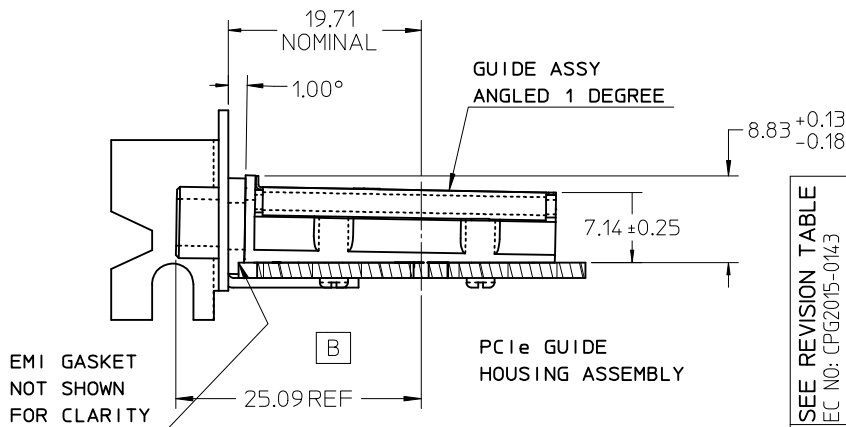
MM : TM-74540-0206



PCIe EXPANSION CARD APPLICATION SHOWN USING 1 DEGREE GUIDE HOUSING ASSEMBLY

- NOTES:
- REF. PCI EXPRESS CARD ELECTROMECHANICAL SPECIFICATION, REV 1.0a FOR 10 BRACKET WINDOW LOCATION.
 - PCB AND 10 BRACKET SHOWN FOR REFERENCE ONLY.
 - REFER TO SHEET 2 FOR ATCA GUIDE HOUSING ASSY.
 - GUIDE HOUSING MOUNTING THREAD= M2 X 0.4, SEE SHEET 3 FOR SCREW LENGTH + TORQUE SPEC.
 - PCB NOTCH IS SHOWN FOR PCI COMPLIANT BOARD.
 - THIS PRODUCT MEETS THE RESTRICTION OF HAZARDOUS SUBSTANCES IN ELECTRICAL AND ELECTRONIC EQUIPMENT (RoHS) DIRECTIVE (2002/95/EC).
 - PLATE GROUND PAD WITH EMERSION SILVER OR GOLD.
 - MATES WITH MOLEX 8X CABLE SERIES 74546-080X.
 - GUIDE HOUSING PEGS FOR ALIGNMENT ONLY, DO NOT SOLDER.
 - MATERIAL: NI PLATED ZINC DIECAST.

iPass™ is a trademark of Molex



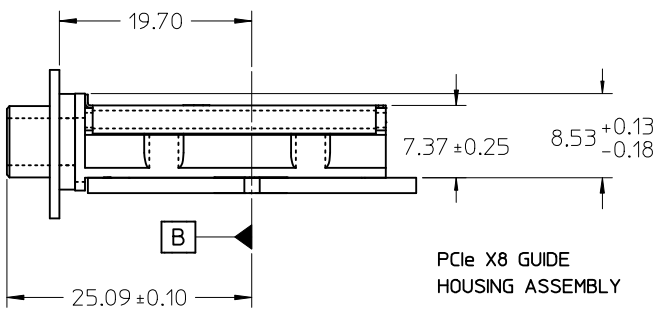
SEE REVISION TABLE	QUALITY SYMBOLS
EC NO: CPG2015-0143	▽=0
DRW:HEMANG07 2014/07/11	▽=0
CHKD:SYANG16 2014/07/14	▽=0
APPR:RCHEN08 2014/07/28	
REV	

GENERAL TOLERANCES (UNLESS SPECIFIED)	
	mm INCH
4 PLACES	± --- ± ---
3 PLACES	± --- ± ---
2 PLACES	± 0.05 ± ---
1 PLACE	± 0.10 ± ---
0 PLACE	± ±
ANGULAR ± 1/2°	
DRAFT WHERE APPLICABLE MUST REMAIN WITHIN DIMENSIONS	

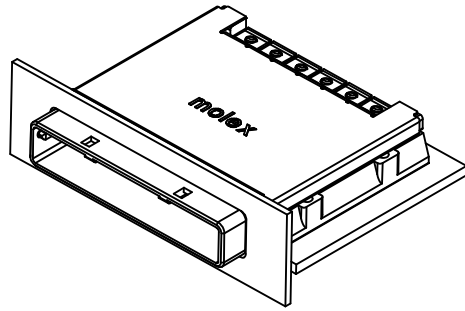
DIMENSION STYLE	
MM ONLY	
DRAWN BY	DATE
JERWIN	2006/05/25
CHECKED BY	DATE
BREED	2006/05/25
APPROVED BY	DATE
DDOYE	2006/05/25
MATERIAL NO.	
SEE P/N TABLE	
SIZE	
B	

SCALE	DESIGN UNITS	THIRD ANGLE PROJECTION
2:1	METRIC	☉
TITLE		
I-PASS X8 EMI GUIDE HOUSING ASSEMBLY W/ KEYS		
molex		
MATERIAL NO.	DOCUMENT NO.	SHEET NO.
	SD-74540-101	1 OF 4
THIS DRAWING CONTAINS INFORMATION THAT IS PROPRIETARY TO MOLEX INCORPORATED AND SHOULD NOT BE USED WITHOUT WRITTEN PERMISSION		

10 9 8 7 6 5 4 3 2 1

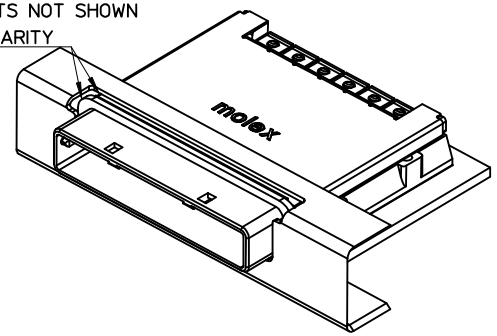


PCIe X8 GUIDE HOUSING ASSEMBLY

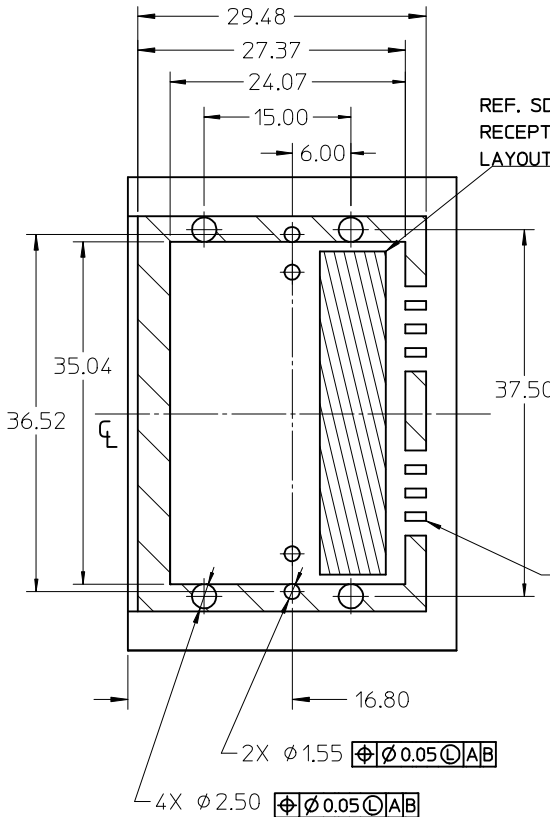


STANDARD APPLICATION SHOWN USING 0 DEG GUIDE HOUSING ASSEMBLY

GASKETS NOT SHOWN FOR CLARITY

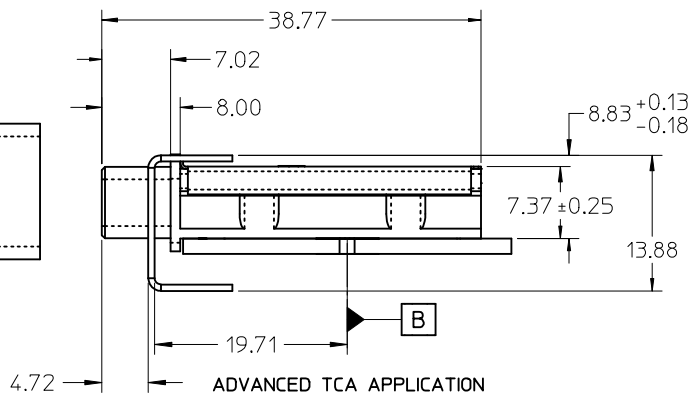
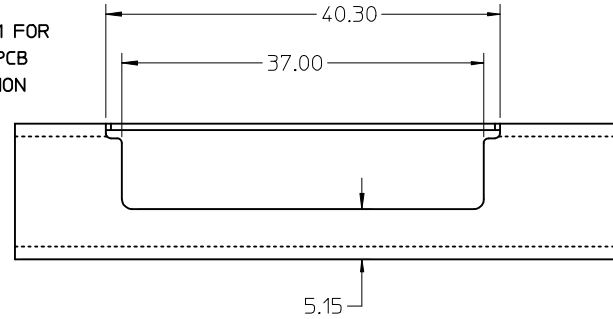


ADVANCED TCA APPLICATION USING 0 DEG GUIDE HOUSING ASSEMBLY



REF. SD-75586-001 FOR RECEPTAL AND PCB LAYOUT INFORMATION

REF. SHEET 3 FOR GROUND PAD ALLEY LAYOUT INFORMATION



iPass™ is a trademark of Molex

SEE REVISION TABLE

EC NO: CPG2015-0143	2014/07/11
DRW:NEWANG07	2014/07/14
CHKD:SYANG16	2014/07/28
APPR:RCHEN08	

QUALITY SYMBOLS	DESCRIPTION
▽/0	
▽/0	
▽/0	

GENERAL TOLERANCES (UNLESS SPECIFIED)	
mm	INCH
4 PLACES ± ---	± ---
3 PLACES ± ---	± ---
2 PLACES ± 0.05	± ---
1 PLACE ± 0.10	± ---
0 PLACE ±	±
ANGULAR ± 1/2°	
DRAFT WHERE APPLICABLE MUST REMAIN WITHIN DIMENSIONS	

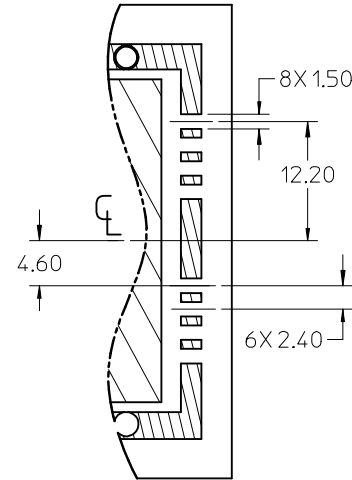
DIMENSION STYLE	
MM ONLY	
DRAWN BY	DATE
JERWIN	2006/05/25
CHECKED BY	DATE
BREED	2006/05/25
APPROVED BY	DATE
DDOYE	2006/05/25
MATERIAL NO.	
SEE P/N TABLE	

SCALE	DESIGN UNITS	THIRD ANGLE PROJECTION
2:1	METRIC	☉
TITLE		
I-PASS X8 EMI GUIDE HOUSING ASSEMBLY W/ KEYS		
molex		
DOCUMENT NO.	SHEET NO.	
SD-74540-101	2 OF 4	

9 8 7 6 5 4 3 2 1

MOLEX P/N	DESCRIPTION	GEN
745400101	8x EMI Guide Housing Assembly - PCIe / 1 Deg	Gen 1
745400201	8x EMI Guide Housing Assembly - ATCA / 0 Deg	Gen 1

PCB THICKNESS	SCREW LENGTH	TORQUE (IN LBS)
1.6 (.063")	5MM	2.3
2.38 (.093")	6MM	2.3
3.2 (.125")	6MM	2.3
X	+4MM MAX	2.3



GROUND PAD ALLEY
LAYOUT INFORMATION



SEE REVISION TABLE EC NO: CPG2015-0143 DRAWN: WANG07 2014/07/11 CHKD: SYANG16 2014/07/14 APPR: RCHEN08 2014/07/28	QUALITY SYMBOLS	GENERAL TOLERANCES (UNLESS SPECIFIED)	DIMENSION STYLE	SCALE	DESIGN UNITS	THIRD ANGLE PROJECTION	
	▽=0	mm INCH	MM ONLY	2:1	METRIC		
	▽=0	4 PLACES ± --- ± ---	DRAWN BY DATE			I-PASS X8 EMI GUIDE HOUSING ASSEMBLY W/ KEYS	
	▽=0	3 PLACES ± --- ± ---	JERWIN 2006/05/25				
	2 PLACES ± 0.05 ± ---	1 PLACE ± 0.10 ± ---	0 PLACE ± ±	APPROVED BY DATE		molex SD-74540-101	
				DDOYE 2006/05/25			
		ANGULAR ± 1/2°	MATERIAL NO.	DOCUMENT NO.		SHEET NO.	
		DRAFT WHERE APPLICABLE MUST REMAIN WITHIN DIMENSIONS	SEE P/N TABLE			3 OF 4	
			SIZE B	THIS DRAWING CONTAINS INFORMATION THAT IS PROPRIETARY TO MOLEX INCORPORATED AND SHOULD NOT BE USED WITHOUT WRITTEN PERMISSION			

REVISION HISTORY

DATE (YEAR/MONTH/DAY)	REV	DESCRIPTION
2013/12/18	H	1. ADDED NOTES 10. MATERIAL: Ni PLATED ZINC DIECAST. [SHT 1] 2. CHANGED W/ NEW MOLEX FORMAT
2014/07/11	J	1. CHANGED 25.16 TO 25.09REF TO MEET PCI EXPRESS EXTERNAL CABLING SPECIFICATION @A9 [SHEET 1] 2. ADDED MM 3D NO. @F10 [SHEET 1] 3. THE MOLEX CHARACTER FIGURE UPDATE @F2 [SHEET 1], @F2 F5 [SHEET 2] 4. CHANGED 25.09 TO 25.09+/-0.1 @E9 [SHEET 2]

SEE REVISION TABLE EC NO: CPG2015-0143 DRW:NEWANG07 2014/07/11 CHKD:SYANG16 2014/07/14 APPR:RCHEN08 2014/07/28	QUALITY SYMBOLS	GENERAL TOLERANCES (UNLESS SPECIFIED)	DIMENSION STYLE	SCALE	DESIGN UNITS	THIRD ANGLE PROJECTION																		
	$\nabla F/0$ $\nabla F/0$ $\nabla F/0$	<table border="1"> <tr> <th></th> <th>mm</th> <th>INCH</th> </tr> <tr> <td>4 PLACES</td> <td>± ---</td> <td>± ---</td> </tr> <tr> <td>3 PLACES</td> <td>± ---</td> <td>± ---</td> </tr> <tr> <td>2 PLACES</td> <td>± 0.05</td> <td>± ---</td> </tr> <tr> <td>1 PLACE</td> <td>± 0.10</td> <td>± ---</td> </tr> <tr> <td>0 PLACE</td> <td>±</td> <td>±</td> </tr> </table>		mm	INCH	4 PLACES	± ---	± ---	3 PLACES	± ---	± ---	2 PLACES	± 0.05	± ---	1 PLACE	± 0.10	± ---	0 PLACE	±	±	MM ONLY	1:1	METRIC	
		mm	INCH																					
	4 PLACES	± ---	± ---																					
3 PLACES	± ---	± ---																						
2 PLACES	± 0.05	± ---																						
1 PLACE	± 0.10	± ---																						
0 PLACE	±	±																						
DRAWN BY: JERWIN CHECKED BY: BREED APPROVED BY: DDOYE	DATE: 2006/05/25 DATE: 2006/05/25 DATE: 2006/05/25	MATERIAL NO. SEE P/N TABLE	TITLE I-PASS X8 EMI GUIDE HOUSING ASSEMBLY W/ KEYS molex	DOCUMENT NO. SD-74540-101	SHEET NO. 4 OF 4																			
	DRAFT WHERE APPLICABLE MUST REMAIN WITHIN DIMENSIONS	ANGULAR ±1/2°	SIZE B	THIS DRAWING CONTAINS INFORMATION THAT IS PROPRIETARY TO MOLEX INCORPORATED AND SHOULD NOT BE USED WITHOUT WRITTEN PERMISSION																				