

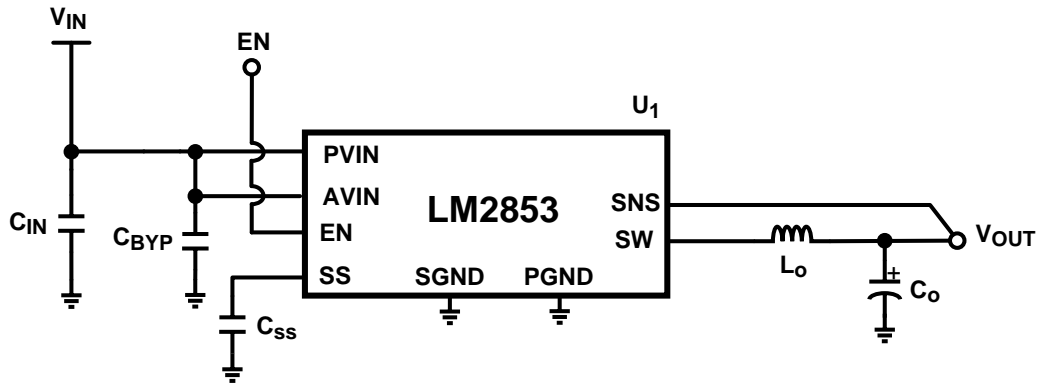
AN-1513 LM2853 Evaluation Board

1 Introduction

The LM2853 synchronous SIMPLE SWITCHER® buck regulator is a synchronous switching regulator capable of delivering up to 3A of current into a load. The LM2853 represents the ultimate in ease of use, as internal type-3 compensation minimizes the necessary external components and eases the selection of those components. The LM2853 is capable of accepting an input voltage between 3.0V and 5.5V and delivering an output voltage that is factory programmable from 0.8V to 3.3V in 100mV increments. The nominal switching frequency of the LM2853 is 550 kHz.

The LM2853 Evaluation Board was designed to accommodate three standard output voltage options (1.2V/1.8V/3.3V) using the same layout and external components. Just five external components are included on the board, and the entire 3A power supply occupies a minimum amount of space (1.2" by 0.82") on a two layer PCB without sacrificing efficiency or performance. The input voltage can be varied over the entire operating range of the LM2853 (3.0V to 5.5V) for testing purposes. Also, the board is designed to be stable with all standard LM2853 voltage options, so if another voltage option needs to be tested, the LM2853 IC can be removed and replaced with the desired option.

2 Schematic



3 Bill Of Materials

ID	Part Number	Type	Size	Parameters	Qty	Vendor
U1	LM2853	3A Buck	HTSSOP-14	x.xV	1	Texas Instruments
C _{IN}	GRM31CR60J476ME19	Capacitor	1206	47 μF	1	Murata
C _{BYP}	GRM21BR71C105KA01	Capacitor	0805	1 μF	1	Murata
C _{SS}	VJ0805Y222KXXA	Capacitor	0603	2.2 nF	1	Vishay-Vitramon
L _O	DO3316P-472	Inductor	DO3316P	4.7 μH	1	Coilcraft
C _O	TPSD227X06R0050	Capacitor	D Case	220 μF (50 mΩ)	1	Vishay-Sprague

SIMPLE SWITCHER is a registered trademark of Texas Instruments.
All other trademarks are the property of their respective owners.

4 Performance

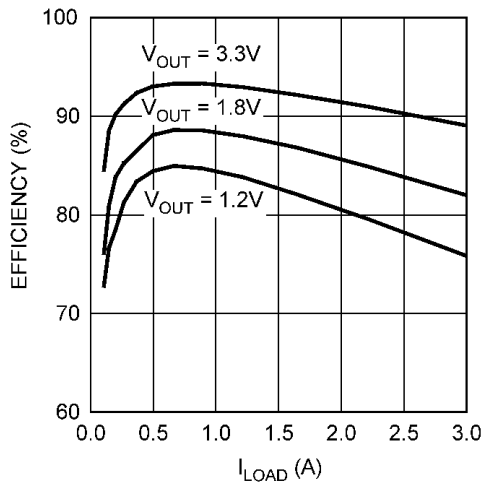


Figure 1. Efficiency vs. I_{LOAD} ($V_{IN} = 5V$)

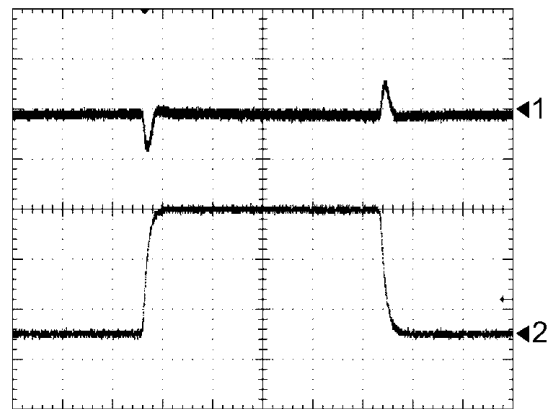


Figure 2. Horizontal Resolution: 200 μs /Div.
Trace 1: V_{OUT} (100 mV/Div.)
Trace 2: I_{LOAD} (1 A/Div.)

5 Component Selection

5.1 C_{IN} and C_{BYP}

The necessary RMS current rating of the input capacitor can be estimated by the following equation:

$$I_{RMS} = I_{LOAD} \sqrt{D(1-D)} \quad (1)$$

where the variable D refers to the duty cycle, and can be approximated by:

$$D = \frac{V_{OUT}}{V_{IN}} \quad (2)$$

From this equation, it follows that the maximum I_{RMS} will occur at a full 3A load current with the system operating at 50% duty cycle. Under this condition, the maximum I_{RMS} is given by:

$$I_{RMS} = 3A \sqrt{0.5 \times 0.5} = 1.5A \quad (3)$$

Ceramic capacitors feature a very large I_{RMS} rating in a small footprint, making a ceramic capacitor ideal for this application. A 47 μF ceramic capacitor from Murata with a 4.9A I_{RMS} rating provides the necessary input capacitance for the evaluation board. For improved load regulation and transient performance, an extra 1 μF ceramic capacitor is placed near to the AVIN pin from V_{IN} to GND. This small capacitor helps to filter high frequency noise pulses on the supply, and prevent those pulses from disturbing the analog control circuitry of the chip.

5.2 C_{SS}

The soft-start capacitor has been chosen to provide a soft-start time of roughly 3 ms. Using the internal soft-start resistance of 450 k Ω and the external soft-start capacitor value of 2.2 nF, the approximate soft-start time can be calculated as follows:

$$T_{SS} = 3 \times C_{SS} \times R_{SS} = 3 \times 2.2 \text{ nF} \times 450 \text{ k}\Omega = 2.97 \text{ ms} \approx 3 \text{ ms} \quad (4)$$

A 3 ms soft-start time will allow the LM2853 to start up gracefully without triggering over-current protection, regardless of the operating conditions.

5.3 L_O and C_O

The selection of the output filter components L_O and C_O , are intrinsically linked, as both of these parameters affect the stability of the system, and various characteristics of the output voltage. First, a 4.7 μH inductor is chosen to allow stable operation over the entire input voltage range (as per the datasheet recommendations) from 3.0V to 5.5V. The size of the inductor also directly affects the amplitude of the inductor current ripple. This amplitude can be calculated from the following equation:

$$\Delta I_L = \frac{D \times (V_{IN} - V_{OUT})}{f_{SW} \times L_O} \quad (5)$$

From this, it follows that the maximum inductor current ripple using standard operating conditions of the LM2853 and a 4.7 μH inductor will occur at $V_{IN} = 5.5\text{V}$, and $V_{OUT} = 2.5\text{V}$. Under these conditions the inductor current ripple is given as:

$$\Delta I_L = \left(\frac{2.5\text{V}}{5.5\text{V}} \right) \frac{(5.5\text{V} - 2.5\text{V})}{550 \text{ kHz} \times 4.7 \mu\text{H}} = 0.528\text{A} \quad (6)$$

This means an inductor must be selected with a saturation current higher than 3.264A to ensure that the inductor will never saturate during normal operating conditions. A Coilcraft DO3316P, 4.7 μH inductor provides the necessary current handling capabilities ($I_{SAT} = 5.4\text{A}$) in a relatively small footprint.

The ESR of the output capacitor affects both the ripple voltage at the output and the overall stability of the loop. In order to keep the output voltage ripple manageable under all operating conditions, an ESR value of 50 m Ω is selected. As per the datasheet recommendations, a capacitance of 220 μF will ensure stability regardless of V_{IN} and V_{OUT} when coupled with 4.7 μH inductor and 50 m Ω ESR. An AVX low-ESR 6.3V tantalum capacitor provides the necessary ESR and capacitance to stabilize the loop and control the output voltage ripple, with suitable voltage derating for up to a 3.3V output.

6 PCB Layout

The PCB layout of the LM2853 demo board was designed to occupy as little board space as possible, while still following sound layout guidelines and techniques. The input capacitor, C_{IN} is placed as close as possible to the PVIN pins and the PGND pins, to minimize stray resistance and inductance between C_{IN} and the LM2853. Likewise, the AVIN bypass capacitor is placed as close as possible to the AVIN and SGND pins. PGND and SGND are connected to each other and the ground plane at a single point, the exposed pad of the LM2853. Also, in order to help conduct heat to the ground plane and away from the LM2853, an array of vias is used to connect the exposed pad to the ground plane, instead of a single via. Finally, the sense pin trace is intentionally routed away from the SW node to minimize any EMI pickup.

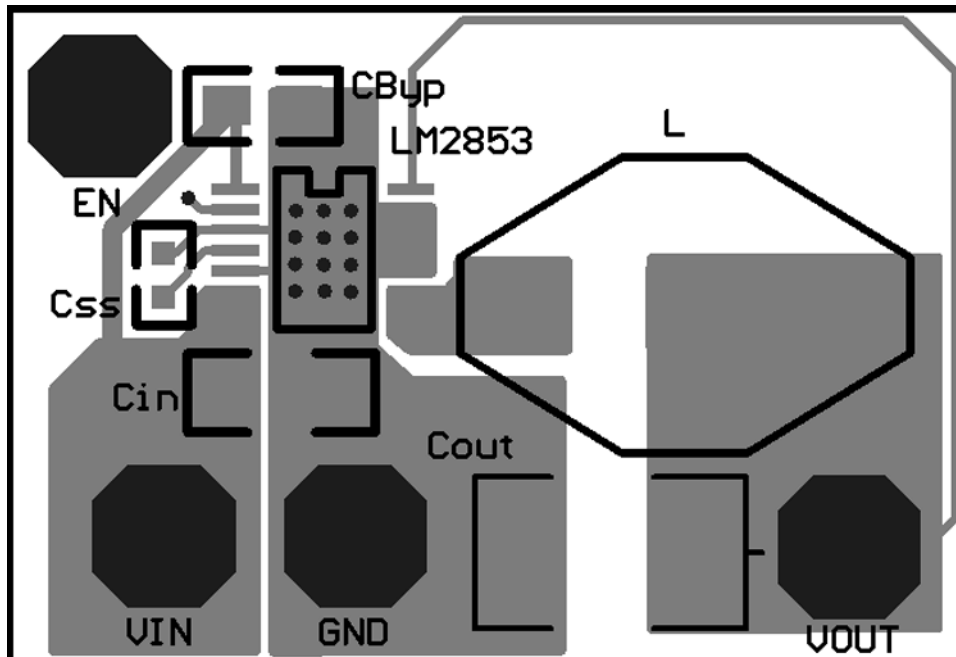


Figure 3. Top Layer (not to scale)



Figure 4. Bottom Layer (not to scale)

IMPORTANT NOTICE

Texas Instruments Incorporated and its subsidiaries (TI) reserve the right to make corrections, enhancements, improvements and other changes to its semiconductor products and services per JESD46, latest issue, and to discontinue any product or service per JESD48, latest issue. Buyers should obtain the latest relevant information before placing orders and should verify that such information is current and complete. All semiconductor products (also referred to herein as "components") are sold subject to TI's terms and conditions of sale supplied at the time of order acknowledgment.

TI warrants performance of its components to the specifications applicable at the time of sale, in accordance with the warranty in TI's terms and conditions of sale of semiconductor products. Testing and other quality control techniques are used to the extent TI deems necessary to support this warranty. Except where mandated by applicable law, testing of all parameters of each component is not necessarily performed.

TI assumes no liability for applications assistance or the design of Buyers' products. Buyers are responsible for their products and applications using TI components. To minimize the risks associated with Buyers' products and applications, Buyers should provide adequate design and operating safeguards.

TI does not warrant or represent that any license, either express or implied, is granted under any patent right, copyright, mask work right, or other intellectual property right relating to any combination, machine, or process in which TI components or services are used. Information published by TI regarding third-party products or services does not constitute a license to use such products or services or a warranty or endorsement thereof. Use of such information may require a license from a third party under the patents or other intellectual property of the third party, or a license from TI under the patents or other intellectual property of TI.

Reproduction of significant portions of TI information in TI data books or data sheets is permissible only if reproduction is without alteration and is accompanied by all associated warranties, conditions, limitations, and notices. TI is not responsible or liable for such altered documentation. Information of third parties may be subject to additional restrictions.

Resale of TI components or services with statements different from or beyond the parameters stated by TI for that component or service voids all express and any implied warranties for the associated TI component or service and is an unfair and deceptive business practice. TI is not responsible or liable for any such statements.

Buyer acknowledges and agrees that it is solely responsible for compliance with all legal, regulatory and safety-related requirements concerning its products, and any use of TI components in its applications, notwithstanding any applications-related information or support that may be provided by TI. Buyer represents and agrees that it has all the necessary expertise to create and implement safeguards which anticipate dangerous consequences of failures, monitor failures and their consequences, lessen the likelihood of failures that might cause harm and take appropriate remedial actions. Buyer will fully indemnify TI and its representatives against any damages arising out of the use of any TI components in safety-critical applications.

In some cases, TI components may be promoted specifically to facilitate safety-related applications. With such components, TI's goal is to help enable customers to design and create their own end-product solutions that meet applicable functional safety standards and requirements. Nonetheless, such components are subject to these terms.

No TI components are authorized for use in FDA Class III (or similar life-critical medical equipment) unless authorized officers of the parties have executed a special agreement specifically governing such use.

Only those TI components which TI has specifically designated as military grade or "enhanced plastic" are designed and intended for use in military/aerospace applications or environments. Buyer acknowledges and agrees that any military or aerospace use of TI components which have **not** been so designated is solely at the Buyer's risk, and that Buyer is solely responsible for compliance with all legal and regulatory requirements in connection with such use.

TI has specifically designated certain components as meeting ISO/TS16949 requirements, mainly for automotive use. In any case of use of non-designated products, TI will not be responsible for any failure to meet ISO/TS16949.

Products

Audio	www.ti.com/audio
Amplifiers	amplifier.ti.com
Data Converters	dataconverter.ti.com
DLP® Products	www.dlp.com
DSP	dsp.ti.com
Clocks and Timers	www.ti.com/clocks
Interface	interface.ti.com
Logic	logic.ti.com
Power Mgmt	power.ti.com
Microcontrollers	microcontroller.ti.com
RFID	www.ti-rfid.com
OMAP Applications Processors	www.ti.com/omap
Wireless Connectivity	www.ti.com/wirelessconnectivity

Applications

Automotive and Transportation	www.ti.com/automotive
Communications and Telecom	www.ti.com/communications
Computers and Peripherals	www.ti.com/computers
Consumer Electronics	www.ti.com/consumer-apps
Energy and Lighting	www.ti.com/energy
Industrial	www.ti.com/industrial
Medical	www.ti.com/medical
Security	www.ti.com/security
Space, Avionics and Defense	www.ti.com/space-avionics-defense
Video and Imaging	www.ti.com/video

TI E2E Community

e2e.ti.com