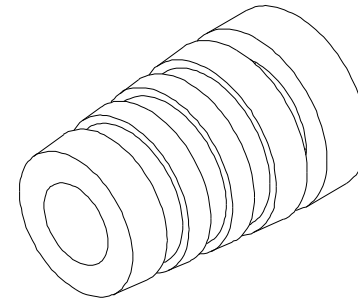
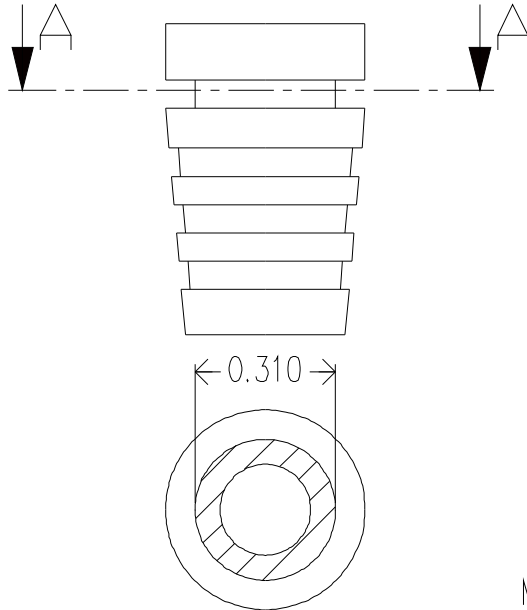
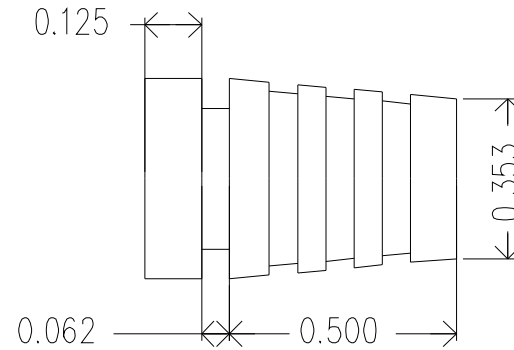
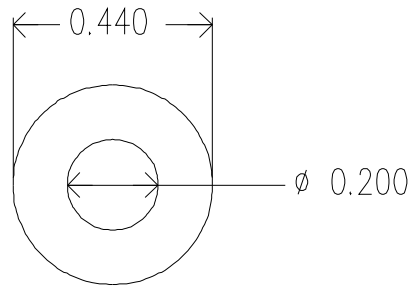


REVISIONS				
ZONE	REV.	DESCRIPTION	DATE	APPROVED



MOLD MATERIAL: ISC P/N: 5000214, PVC, M1472. Black, RoHS

A-A

Dimensions are subject to change.
PROPRIETARY AND CONFIDENTIAL

THE INFORMATION CONTAINED IN THIS DRAWING IS THE SOLE PROPERTY OF ISC ENGINEERING. ANY REPRODUCTION IN PART OR AS A WHOLE WITHOUT THE WRITTEN PERMISSION OF ISC ENGINEERING IS PROHIBITED.

DIMENSIONS ARE IN INCHES		NAME	DATE	ISC Engineering 4351 Schaefer Ave, Chino, CA 91710 Ph: 909-596-3315 Fax: 909-596-3335 www.iscengineering.com www.overmoldtooling.com	
TOLERANCES:		DRAWN	R FIERRO		09/11/03
FRACTIONAL \pm		CHECKED			
ANGULAR: MACH \pm		ENG APPR.			
BEND \pm		MFG APPR.			
TWO PLACE DECIMAL \pm		Q.A.			
THREE PLACE DECIMAL \pm		COMMENTS:		Standard Strain Relief 1461040-200-B-310-440-0	
MATERIAL	--	SIZE	DWG. NO.	REV.	
FINISH	--	A	1460052		
NEXT ASSY	USED ON	SCALE: 5:1	WEIGHT:	SHEET 1 OF 1	
APPLICATION	DO NOT SCALE DRAWING				

