

SPECIFICATIONS:

MATERIALS:

PLASTIC:

ABS, UL94 HB

METALIZED:

NICKEL PLATED ABS, UL94 HB

4-40 JACKSCREWS:

ZINC PLATED STEEL
(BLACK OXIDE PLASTIC VERSION)

HOUSING SCREWS:

ZINC PLATED STEEL
(BLACK OXIDE PLASTIC VERSION)

STRAIN RELIEF:

ZINC PLATED STEEL

STRAIN RELIEF SCREWS:

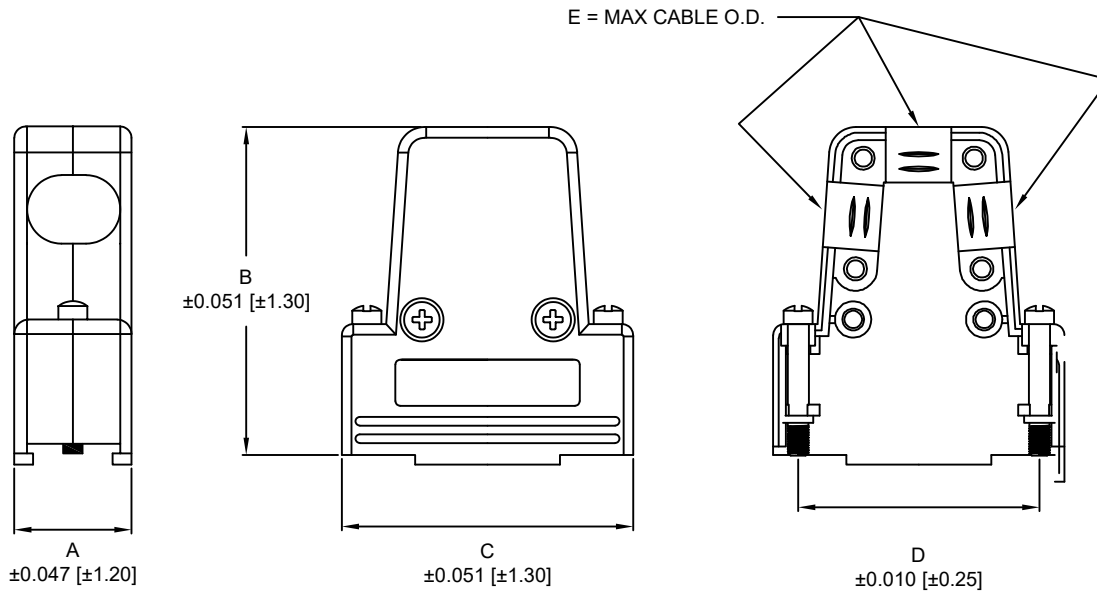
ZINC PLATED STEEL

CABLE SLOT SHUT OFF:

ABS, UL94 HB
(NICKEL PLATED METAL VERSION)

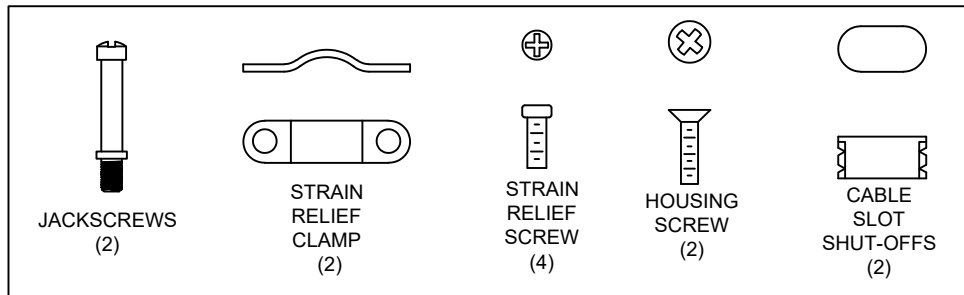
OPERATING TEMPERATURE:

0°C TO +80°C (DUE TO ABS)

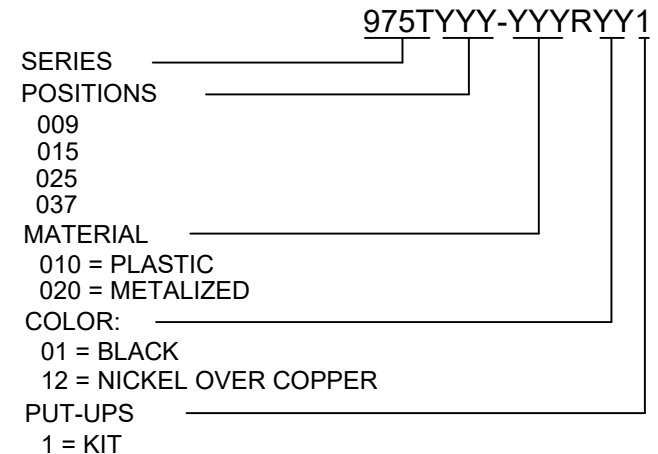


BACKSHELL KIT INCLUDES:

- (2) BACKSHELL HALVES
- (2) #4-40 JACKSCREWS
- (2) HOUSING SCREWS (SELF-TAPPING)
- (2) STRAIN RELIEF CLAMP
- (4) STRAIN RELIEF SCREWS (SELF-TAPPING)
- (2) CABLE SLOT SHUT-OFFS



DIMENSIONS						
POSITION	UNITS	A	B	C	D	E
9	inch	0.591	1.630	1.221	0.984	0.230
	mm	15.00	41.40	31.00	24.99	5.85
15	inch	0.591	1.780	1.587	1.312	0.340
	mm	15.00	45.20	40.30	33.32	8.63
25	inch	0.591	1.780	2.106	1.852	0.400
	mm	15.00	45.20	53.50	47.04	10.16
37	inch	0.591	1.780	2.756	2.500	0.400
	mm	15.00	45.20	70.00	65.50	10.16



RoHS COMPLIANT

UNITS = inch [mm]

DO NOT SCALE FROM DRAWING



THESE DRAWINGS AND SPECIFICATIONS ARE THE PROPERTY OF NorComp AND SHALL NOT BE REPRODUCED, COPIED OR USED AS THE BASIS FOR THE MANUFACTURE OR SALE OF APPARATUS WITHOUT WRITTEN PERMISSION.

DRAWN:

M. SIGMON

DATE:

03/17/2011

NorComp

SCALE: NTS

SHEET 1 OF 1

REV 3

DWG NO.

975TYYY-YYYRYY1