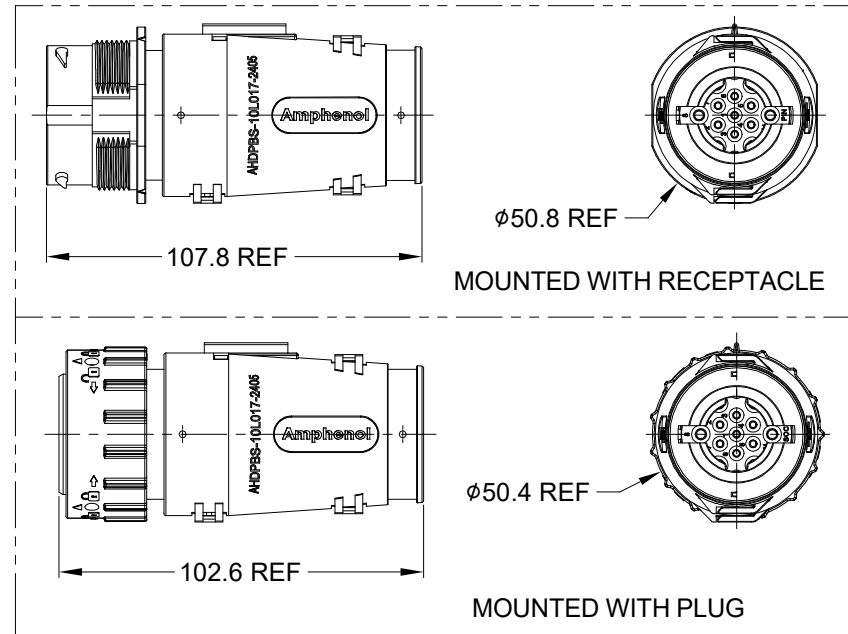
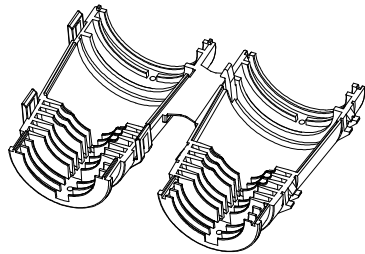
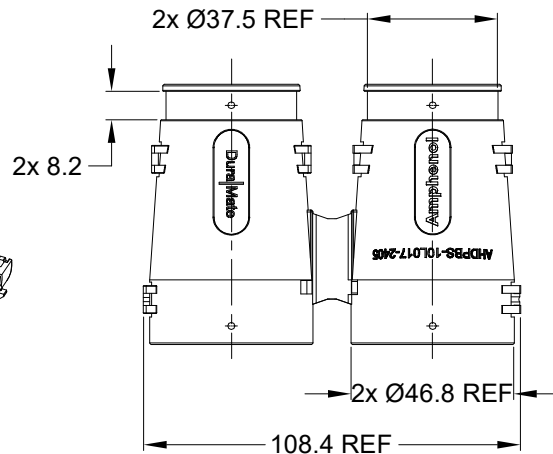
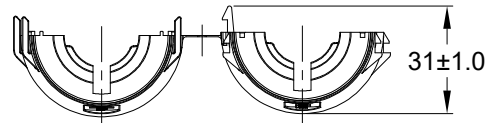
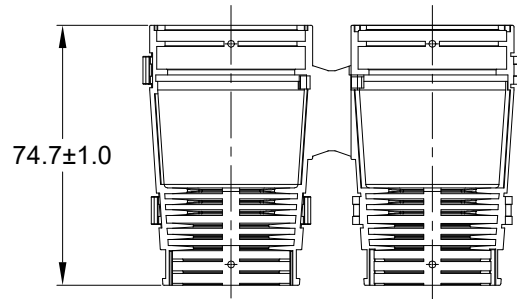


REVISIONS

REV	ECO	DESCRIPTION	DATE	BY	APPR
A1	-	FIRST ISSUE	08-MAR-22	MILO	TOMMY



NOTES: UNLESS OTHERWISE SPECIFIED

1. MATERIAL: THERMOPLASTIC,COLORS: BLACK
- 2.USE WITH AHDP02/04/06-24-*P/S-BRA
- 3.CABLE EXIT DESIGNED FOR CORRUGATED TUBE NW 17,19 AND 26.
4. RoHS COMPLIANT
5. ALL DIMENSIONS ARE FOR REFERENCE USE ONLY.

QUANTITY	AHDPBS-10L017-2405	DESCRIPTION	REF: 2428-010-2405
	PART NUMBER		ITEM

MATERIALS LIST

<p>UNLESS OTHERWISE SPECIFIED</p> <p>1) All dimensions are in metric(mm). 2) Tolerances are as follows: 1 PL DEC ±0.30 Fractions ±1/64 2 PL DEC ±0.15 Angles ±1° 3 PL DEC ±0.08</p> <p>3) Note reference = </p>		<p>SIGNATURES DATE</p> <p>DRAWN: MILO.DONG 08-MAR-22</p> <p>CHECKED: SULLEN.ZHANG 09-MAR-22</p> <p>ENGINEER:</p> <p>APPROVAL: TOMMY.XIE 10-MAR-22</p>		<p>Amphenol</p> <p>Sine Systems - www.amphenol-sine.com 44724 Morley Drive Clinton Township, MI 48036</p>	
<p>MATERIAL SPECIFICATIONS:</p> <p>WEIGHT: 32.3g</p>		<p>CUSTOMER:</p>			
<p>PROCESS SPECIFICATIONS:</p>		<p>THIS DRAWING IS SUPPLIED FOR INFORMATION ONLY. DESIGN FEATURES, SPECIFICATIONS AND PERFORMANCE DATA SHOWN HEREON ARE THE PROPERTY OF THE AMPHENOL CORPORATION. NO RIGHTS OF REPRODUCTION ARE IMPLIED. ALL DIMENSIONS ARE SUBJECT TO NORMAL MANUFACTURING VARIATIONS.</p>		<p>SIZE: A</p>	<p>TYPE: C-</p>
<p>NEXT ASSY:</p>		<p>DWG NO: AHDPBS-10L017-2405</p>		<p>REVISION: A1</p>	<p>SCALE: NONE</p>
		<p>BACKSHELL,COVER,STRAIGHT,AHDP SERIES,SIZE 24,BRA</p>		<p>SHEET 1 OF 1</p>	