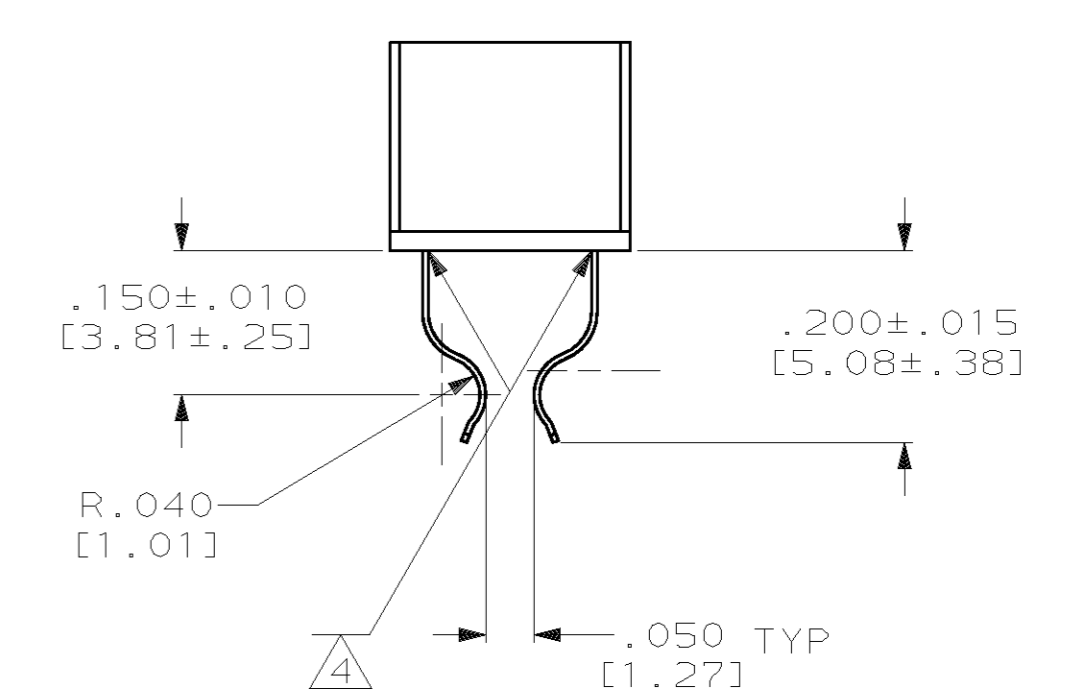
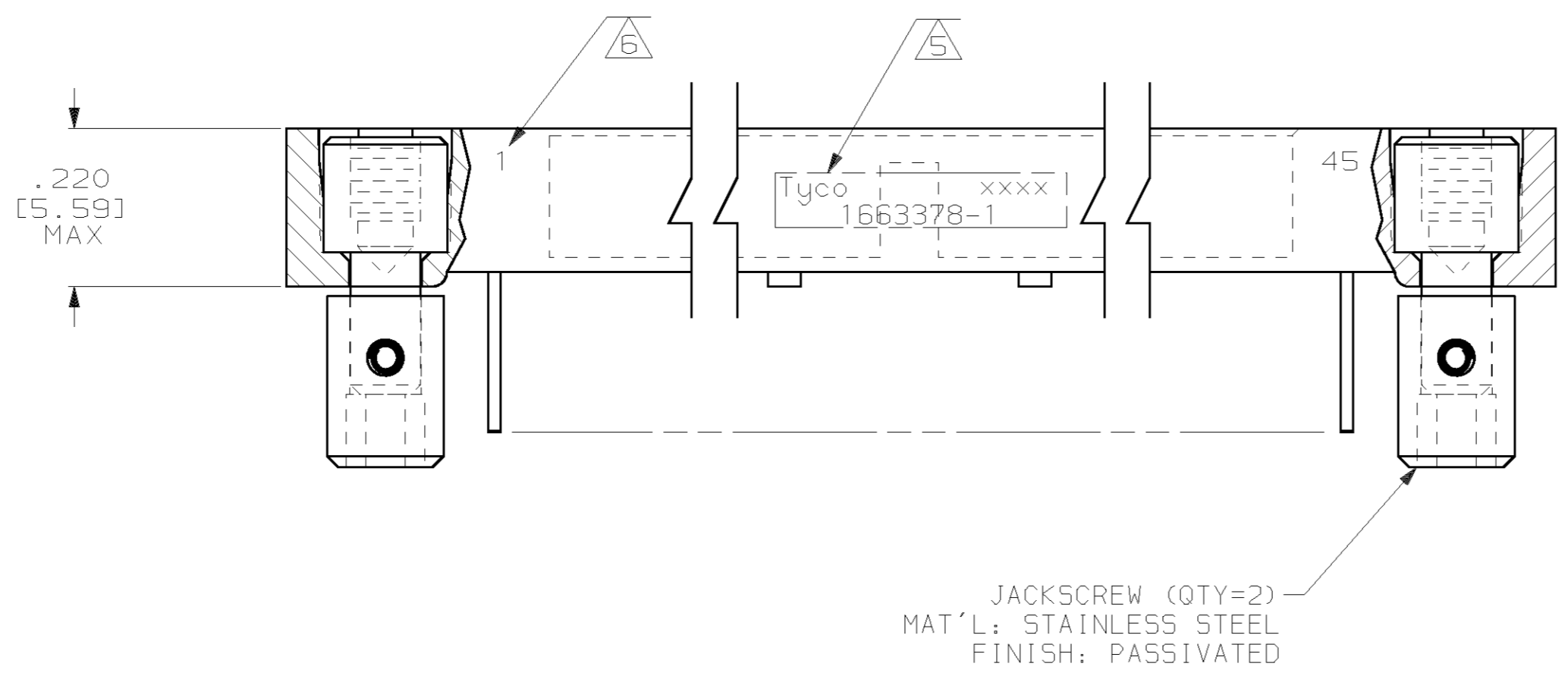
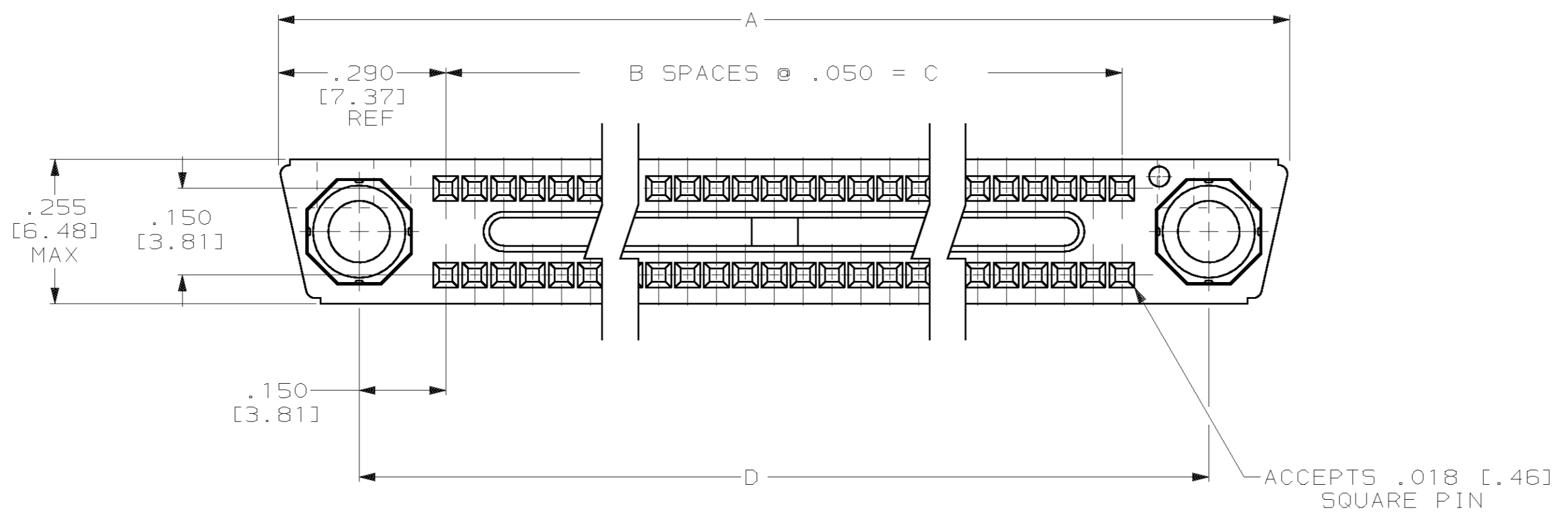


THIS DRAWING IS UNPUBLISHED. RELEASED FOR PUBLICATION
 (C) COPYRIGHT 19 BY AMP INCORPORATED. ALL RIGHTS RESERVED.

LOC	DIST	REVISIONS					
DF	FO	P	LTR	DESCRIPTION	DATE	DWN	APVD
		A		REV PER 063D-0168-03	6-03	CT	DN



- ① HOUSING MATERIAL: LIQUID CRYSTAL POLYMER PER MIL-M-24519, GLCP-30F; COLOR: GRAY.
- ② CONTACT MATERIAL: BERYLLIUM COPPER.
- ③ CONTACT FINISH: .000050 GOLD IN CONTACT AREA, GOLD FLASH OVER REMAINDER OF CONTACT. BOTH OVER NICKEL. TIN-LEAD PLATED SOLDER-TAILS FOR SOLDERABILITY.
- ④ THIN BEAD OF EPOXY ADDED FOR CONTACT RETENTION.
- ⑤ TYCO, TYCO PART NO. & DATE CODE MARKED THIS APPROXIMATE AREA.
- ⑥ NUMBERS OF END POSITIONS MARKED ONE SIDE ONLY (SEE TABLE).
- ⑦ MUST MEET ALL APPLICABLE REQUIREMENTS OF MIL-C-55302.

1 - 25	1.500 [38.10]	1.200 [30.45]	24	1.790 [45.47]	50	1663378-2
1 - 45	2.500 [63.50]	2.200 [55.88]	44	2.790 [70.87]	90	1663378-1
CONTACT IDENT NUMBERS	D	C	B	A	NUMBER OF CONTACTS	PART NUMBER

THIS DRAWING IS A CONTROLLED DOCUMENT.

DWN	C.C. THOMAS	3-25-03	 TYCO Electronics Harrisburg, PA 17105-3608										
CHK	D. NALLY	3-25-03											
APVD	D. NALLY	3-25-03											
PRODUCT SPEC	RECEPTACLE ASSY, MINI-BOX WITH LOW FORCE CONTACTS, CARD EXTENDER WITH JACK SCREWS												
APPLICATION SPEC	-		SIZE	A2	CAGE CODE	00779	DRAWING NO	C-1663378	RESTRICTED TO	-			
MATERIAL	①②		WEIGHT	-		CUSTOMER DRAWING		SCALE	5:1	SHEET	1 OF 1	REV	A