



Injection Omnidirectional Wheel (Pair)

SKU: 87020 Weight: 20.00 Gram

Description:

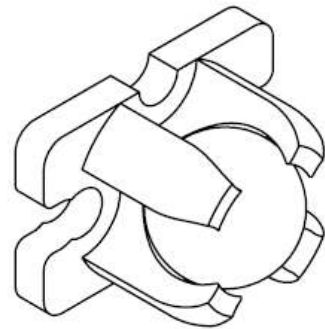
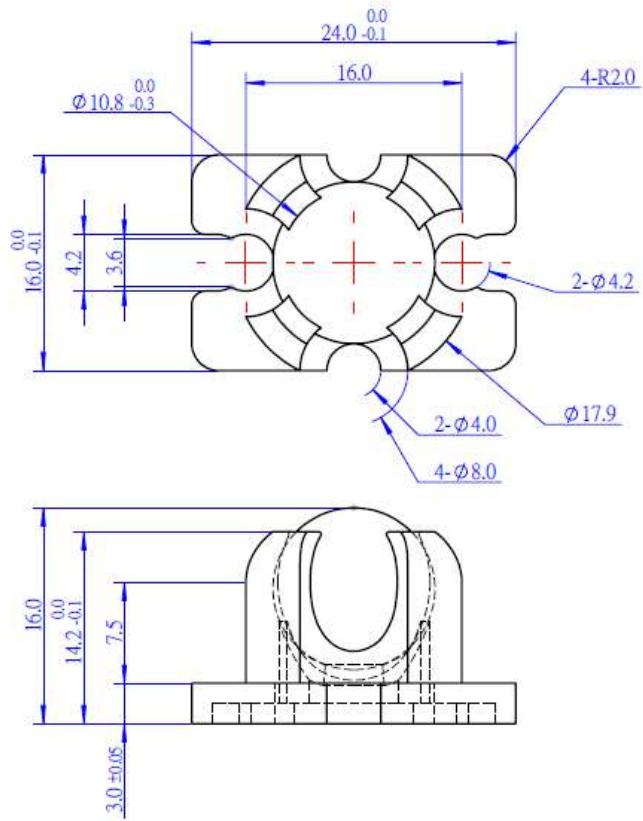
Makeblock injection omnidirectional wheel is made of steel ball and plastic bracket, the wheel turns freely and flexibly.

It can be compatible with [Makeblock mBot](#) or other three-wheeled robot car.

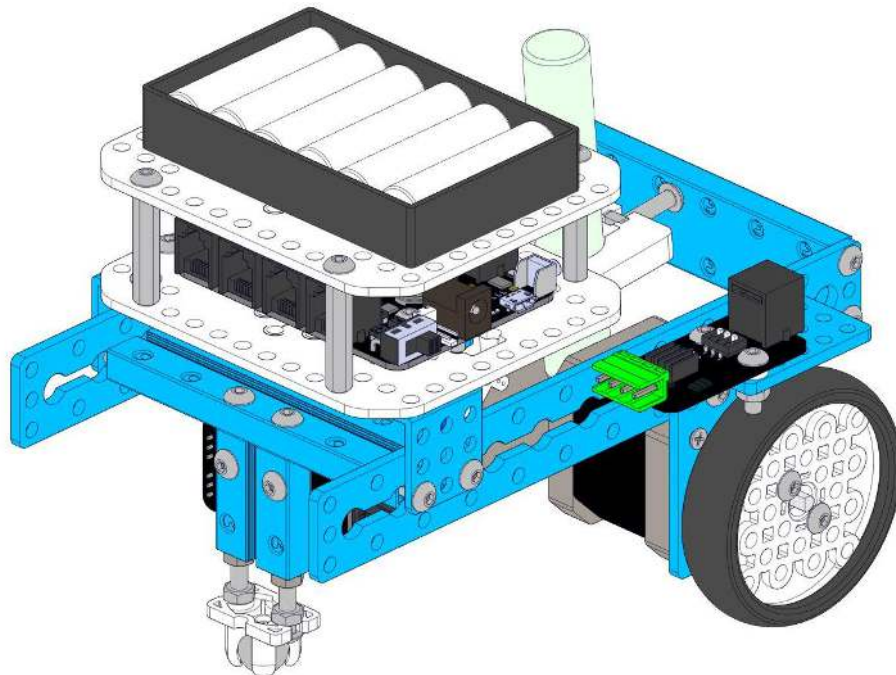
Features:

- ? Simple structure for better operation.
- ? Build mBot or a three-wheeled robot car.

Size Charts(mm):



Demo:



<https://store.makeblock.com/injection-omnidirectional-wheel-pair> 8-6-18