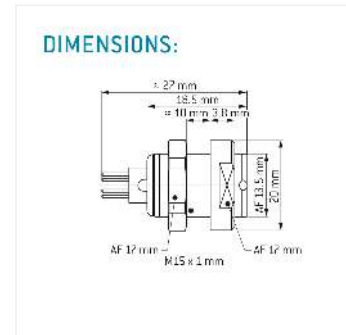
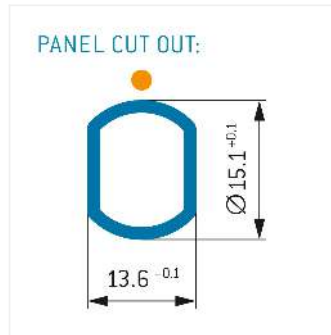
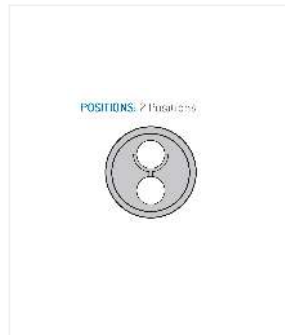
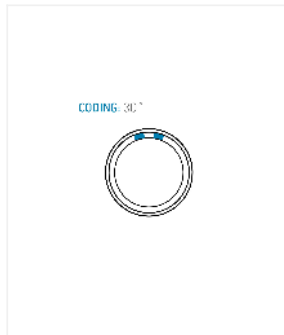


General information

Part number	G52LAC-P02QT00-0000
Termination	pcb
Size	2
Locking principle	break , push
Coding	a_key



Contact insert description

Number of contacts	2
Contact type	sockets
Contact diameter	20mm
Insulator material	peek
Termination	pcb
Termination diameter	07mm

reverse\_gender\_on\_request

Technical information

Max. creepage and air clearance distance	16 mm	12 mm
Nominal current single contact	24_a	iec_60512_5_2
Nominal current insert	24 A	vde_0298_4
Test voltage	21_kv_ac	sae_13441

safety\_text

Mechanical and environmental data

Degree of protection*	ip50
Operating temperature	40_120_c
Mating cycles	5000

mated\_unmated

## Material and surface treatments

<b>Housing</b>	m_chrome
<b>Contact</b>	cu_alloy_gold

safety\_text\_2  
ul\_text  
illustrative\_text