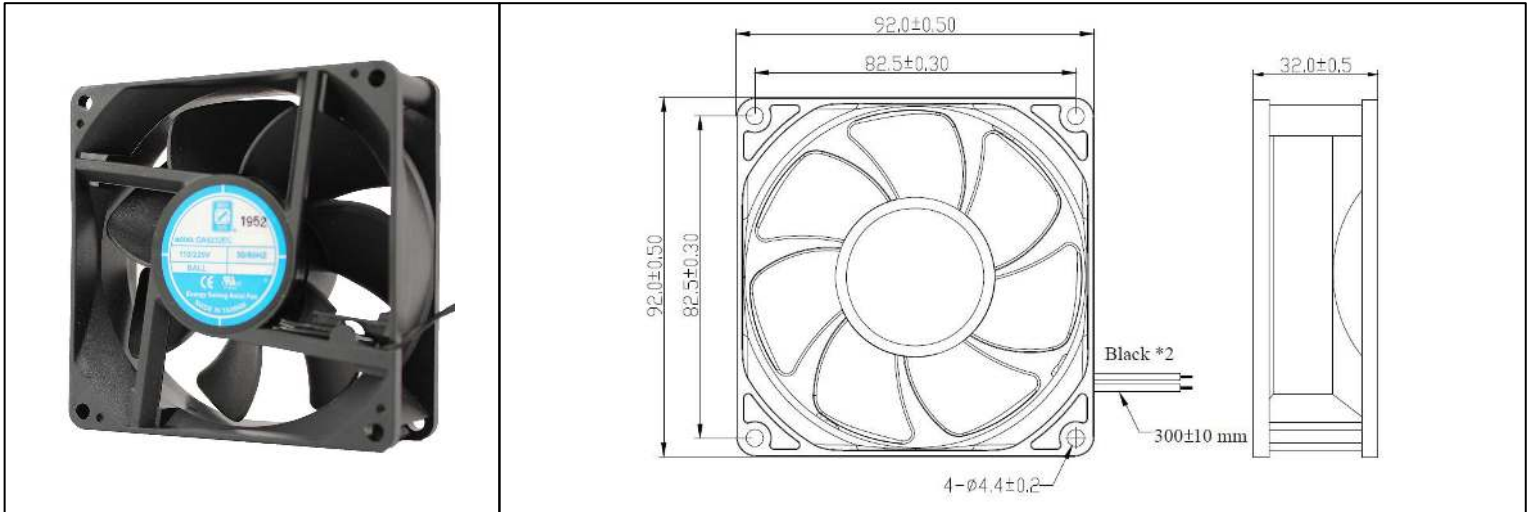


OA9232EC Series



AC Fans - 115, 230V Universal Input
92mm x 32mm (3.62" x 1.26")



| | | | |
|-----------------------|--|--|--|
| Frame | PBT, UL94 V-0 Plastic | <u>Operating Temperature</u> -20°C ~ +65°C <u>Storage Temperature</u> -20°C ~ +75°C <u>Life Expectancy</u> 70,000 Hours (L10 at 40°C) <u>Available Options</u> PWM Speed Control Input Tachometer Output Alarm Output IP Ratings Weight: 0.31 lbs | |
| Impeller | PBT, UL94 V-0 Plastic | | |
| Connection | 2x Lead Wires, 26 AWG | | |
| Motor | Electronically Commutated, Electronically Protected | | |
| Bearing System | Ball Bearings | | |
| Dielectric Strength | 1500VAC/min, <1mA | | |
| Insulation Resistance | ≥10MΩ @ 500 VDC | | |

| Part Number | Voltage Range (Volts AC) | Input Power (Watts)(Max) | Rated Speed (RPM) | Max Airflow (CFM) | Noise Level (dBA) | Max Static Pressure ("H ₂ O) |
|-----------------|--------------------------|--------------------------|-------------------|-------------------|-------------------|---|
| OA9232EC-UR-1WB | 85 ~ 265 | 8 ~ 6 | 3000 | 58 | 43.7 | 0.23 |