



Fine-wire Coaxial Connector
For Compact Mobile Devices

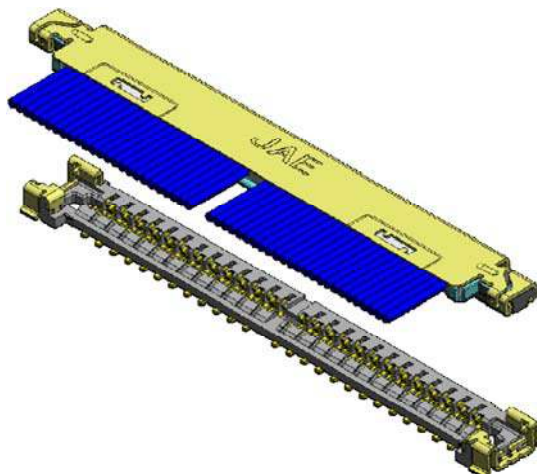
FI-JZ Series

CONNECTOR

MB-0236-1

September 2011

RoHS Compliant



Along with the size minimization and slimming of small portable devices such as mobile phones, high-speed signal transmission inside these devices is increasing due to higher performance and the incorporation of multiple functions.

The "FI-JZ Series" is a 0.9mm mating height, 0.25mm contact pitch, vertical connecting fine-wire coaxial connector designed to meet the demand for more compact, lower profile connectors with anti-noise performance.

Features

- Industries smallest size and height, 0.25mm pitch, vertical connection connection to allow for minimization and slimming.
- Mated dimensions of 0.9mm max. height, 2.08mm depth, and 16.29mm width (for 50 position).
- Enhanced connection stability with gold plated ground contact points on plug and receptacle.
- Low profile, under 1mm mating height achieved in a vertical connector by using a structure in which the receptacle contacts hold the plug contacts.
- Plug connector ground bar is a common type to improve workability. (Same ground bar as FI-JP and FI-JHS Series).
- Applicable wire: compatible with 44AWG (Note 1) , 46AWG fine-wire coaxial.
Note 1: Applies to 0.25mm max. cable outer diameter.
- Plug has a compact design to pass through a small-hinge from back side.
- Supports automated mounting with embossed tape for receptacle.
- Solder migration prevention structure with Ni barrier on receptacle.

General Specifications

- | | |
|---|---|
| <ul style="list-style-type: none"> ■No. of Contacts: 50 pos. ■Contact Resistance: <ul style="list-style-type: none"> 70mΩ max. (initial) 100mΩ max. (after test) variation 60mΩ max. ■Dielectric Withstanding Voltage: <ul style="list-style-type: none"> AC 100Vr. m.s per minute | <ul style="list-style-type: none"> ■Rated Current: AC, DC each 0.2A per pos. ■Rated Voltage: AC, DC each 50V per pos. ■Insulation Resistance: 10MΩ min. (after test) ■Durability: 20 mating cycles ■Operating Temperature: <ul style="list-style-type: none"> -40 Deg. C to +85 Deg. C |
|---|---|

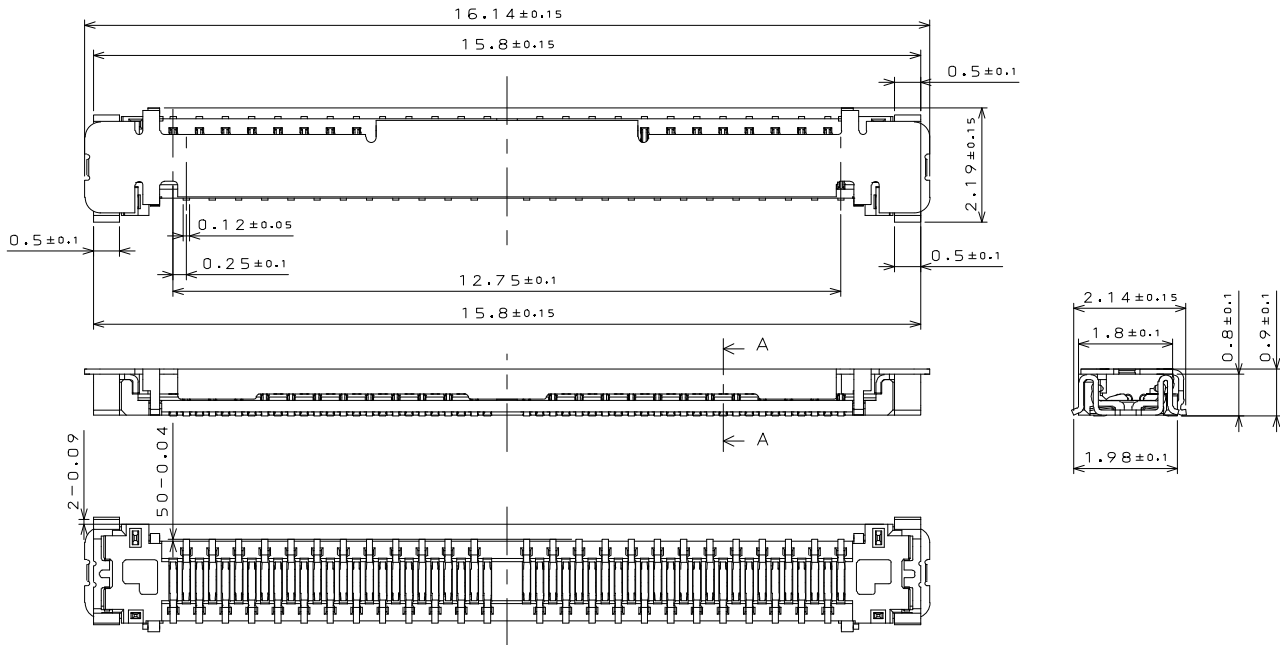
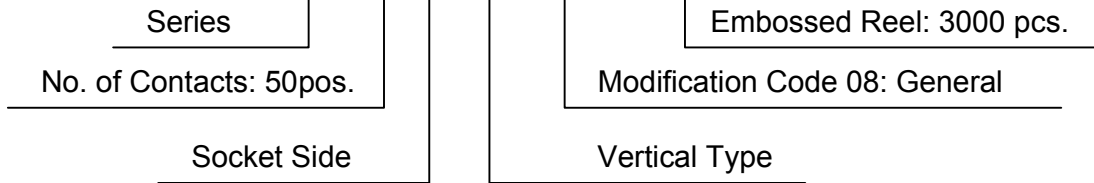
Materials and Finishes

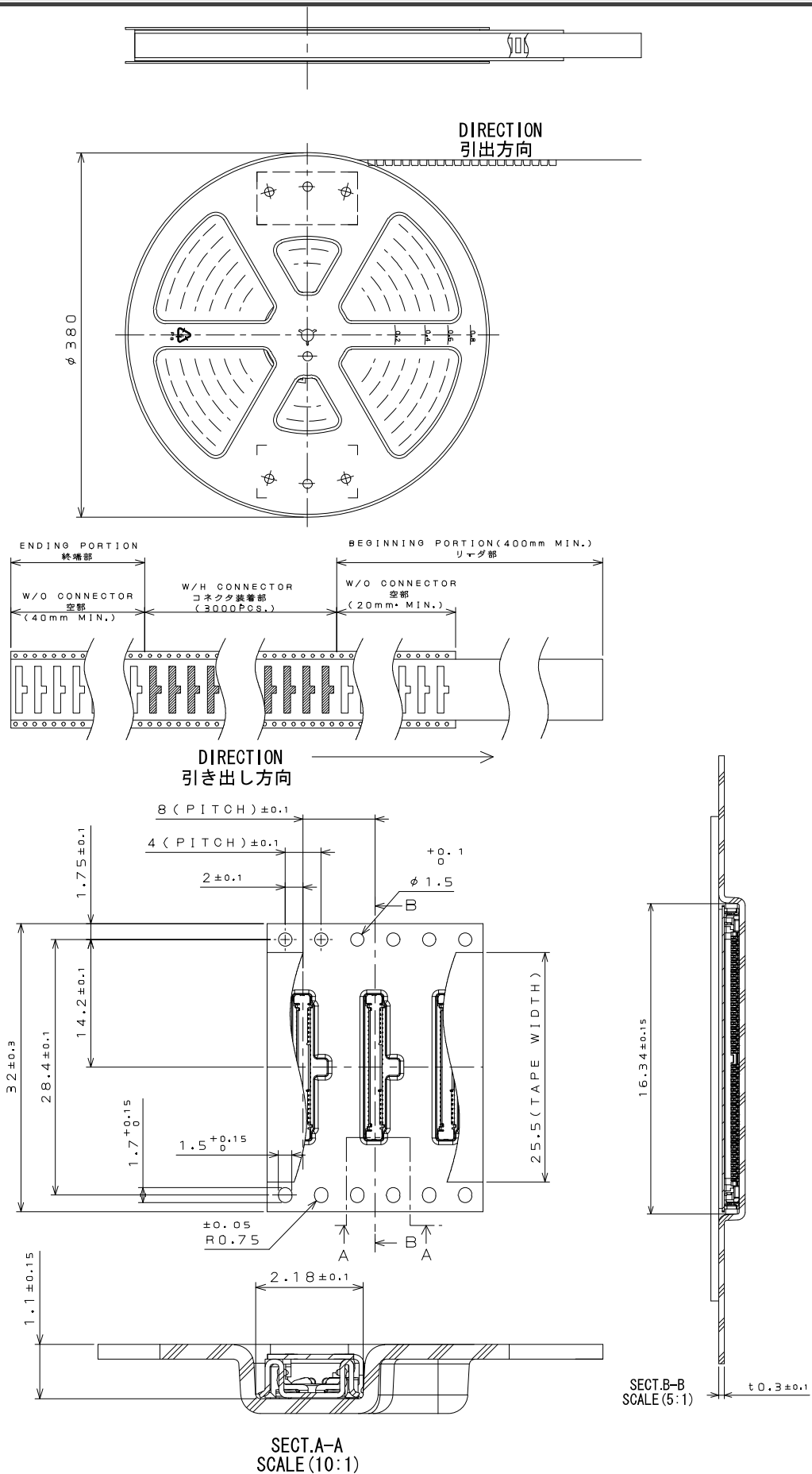
Component	Material / Finish
Receptacle (FI-JZ**S-HF08)	
Contact	Copper alloy / Contact area Au plating over Ni, Terminal area Au flash plating over Ni
Shell	Stainless steel / Contact area Au flash plating over Ni
Insulator	Heat resistant plastic
Suction Cover	Stainless steel
Plug (FI-JZ**C)	
Contact	Copper alloy / Contact area Au plating over Ni, Terminal area Au flash plating over Ni
Base Shell	Stainless steel / Au flash plating over Ni
Insulator	Heat resistant plastic
Plug / Cover Shell (FI-JZ**C-SH1)	
Cover shell	Stainless steel / Au flash plating over Ni

Ordering Information

**Receptacle
Individual Product (SJ111186)
Reel Product (SJ111187)**

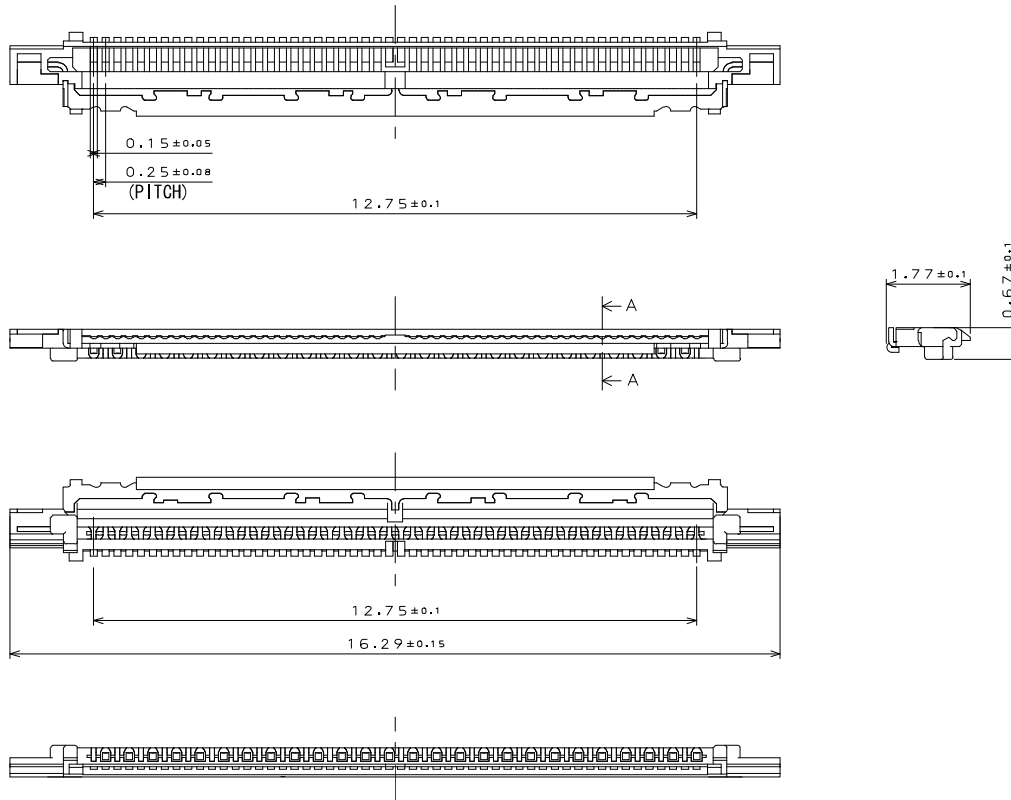
FI-JZ 50 S - VF 08 - R3000

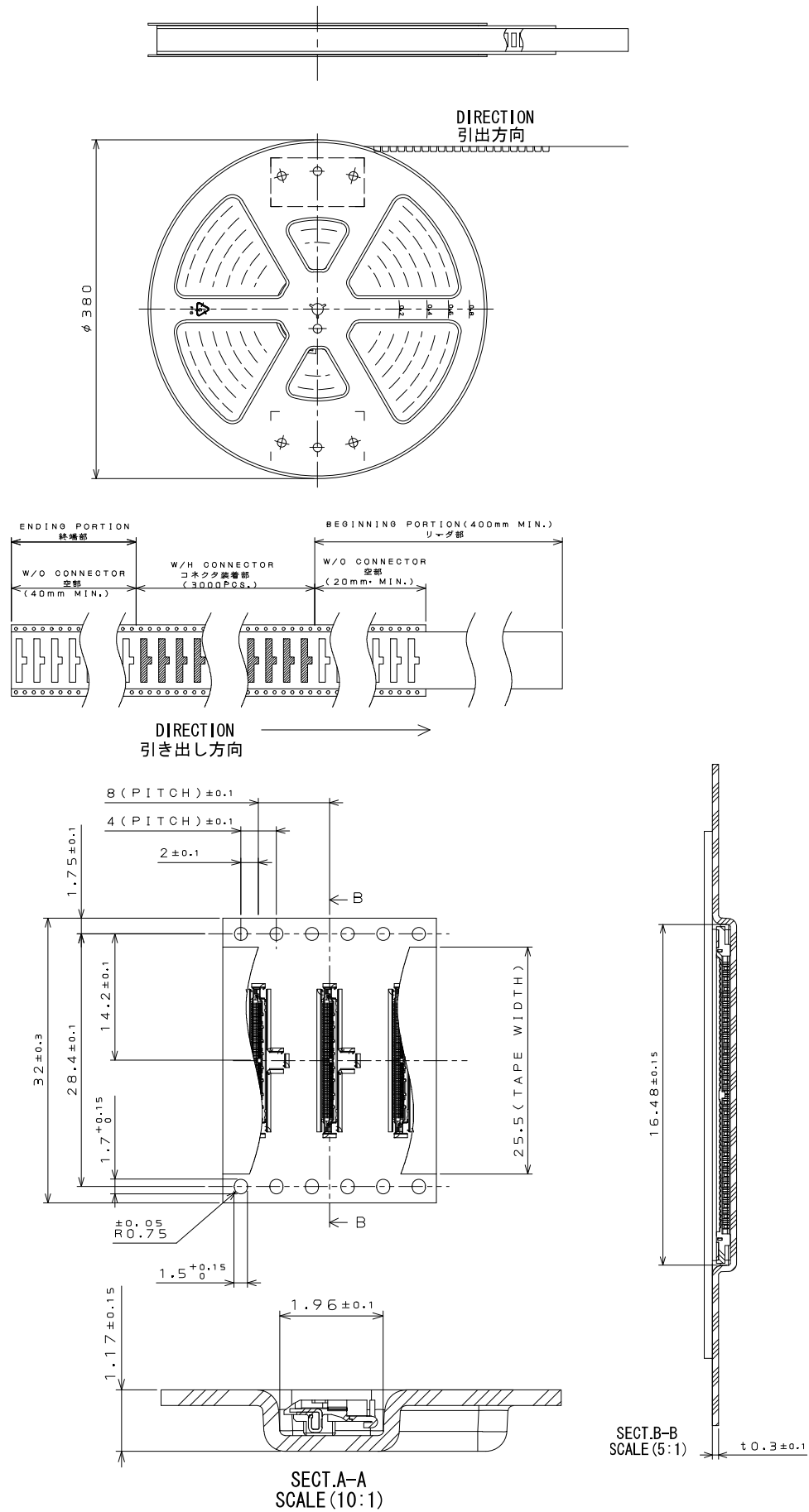




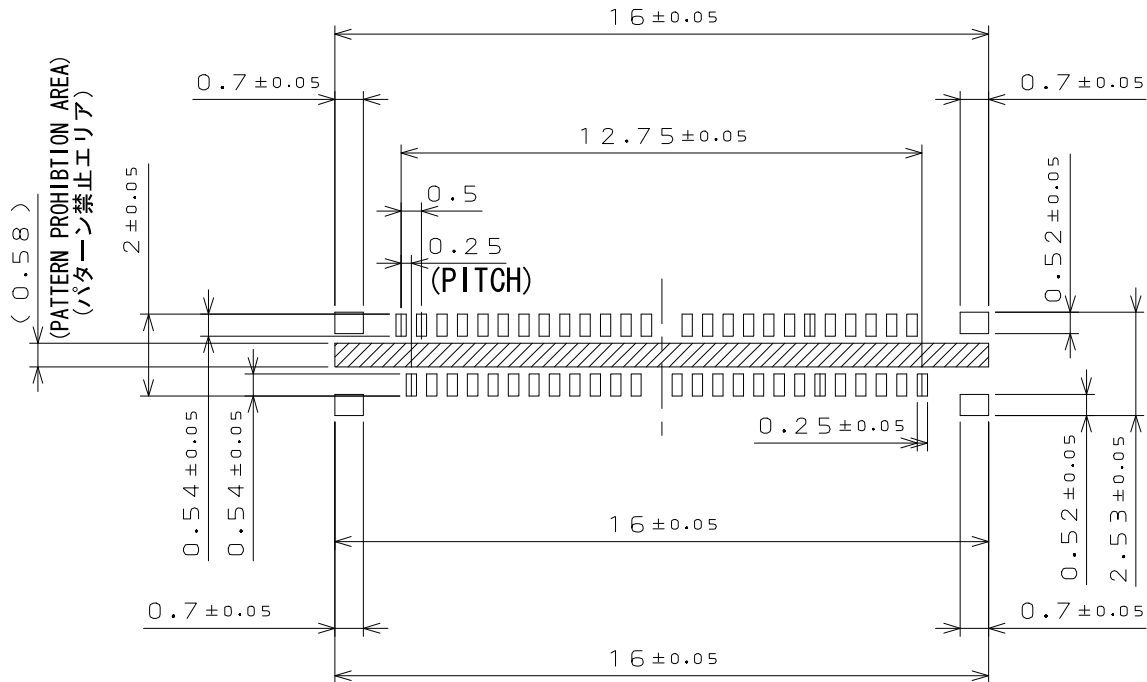
**Plug
Individual Product (SJ111188)
Reel Product (SJ111189)**

<u>FI-JZ</u>	<u>50</u>	<u>C</u>	<u>- R6000</u>
Series		Embossed Reel: 6000 pcs.	
No. of Contacts: 50pos.		Plug Side	





<Applicable Board Dimensions>



APPLICABLE P.C.B. DIMENSION (REF.)
適合基板寸法 (参考)

Related Material

- Specifications (JACS): JACS-10750
- Harness Assembly Handling Instructions (JAHL): JAHL-10750 -1
- Connector Handling Instructions (JAHL): JAHL-10750 -10

Japan Aviation Electronics Industry, Limited

Product Marketing Division
Aobadai Building, 3-1-19, Aobadai, Meguro-ku, Tokyo 153-8539
Phone: +81-3-3780-2787 FAX: +81-3-3780-2946

Notice: Products shown in this brochure are made for the applications listed below. However, if the above-mentioned products are to be used in aerospace devices, marine cable-connection devices, atomic power control systems, medical equipment for life-support systems, or any other specific application requiring extremely high reliability, please contact JAE for further information.

Recommended applications: Computers, Office machines, Measuring devices, Telecommunication devices (Terminals, Mobile devices), AV devices, Household applications, FA devices, etc.