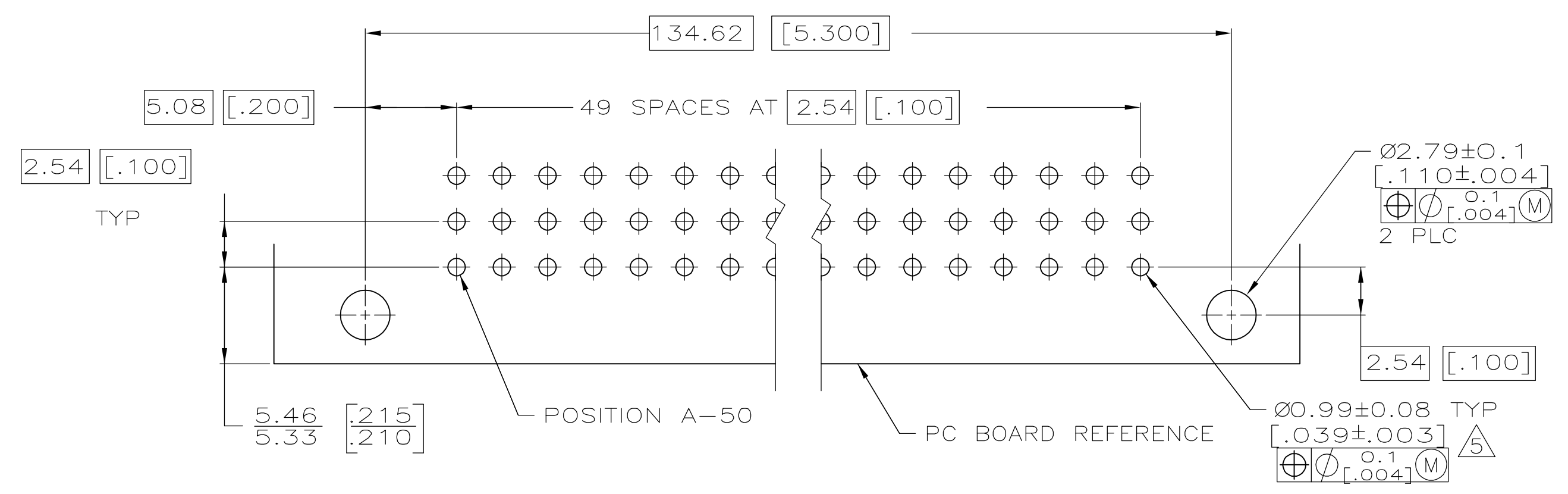
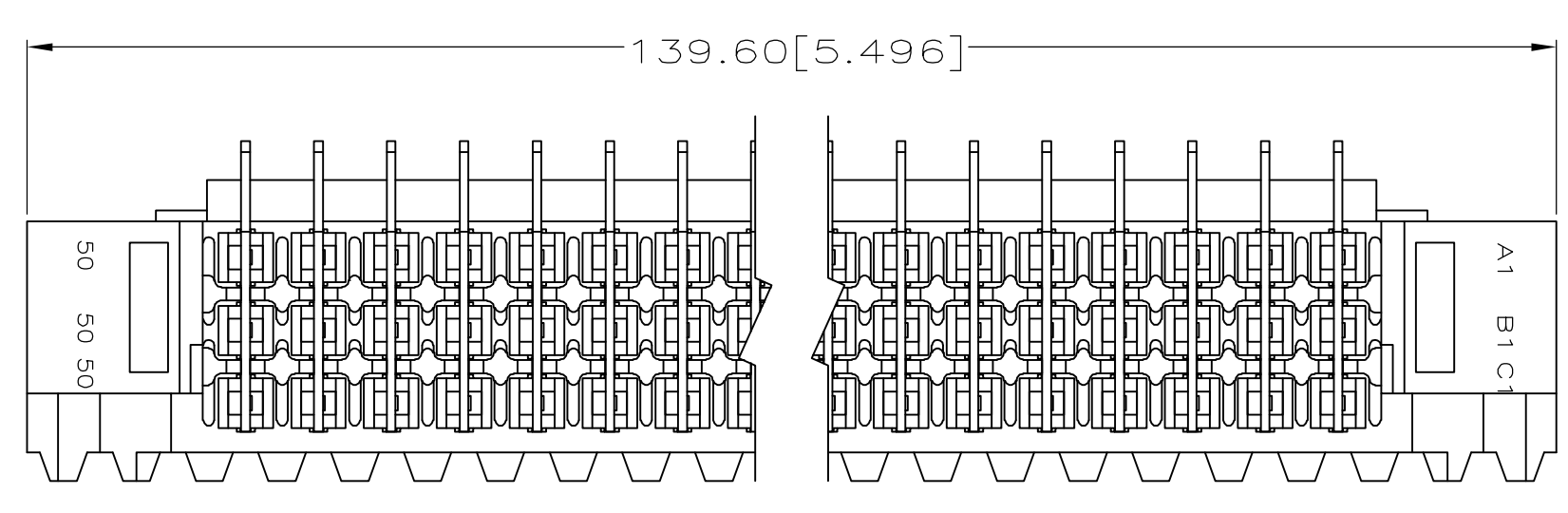
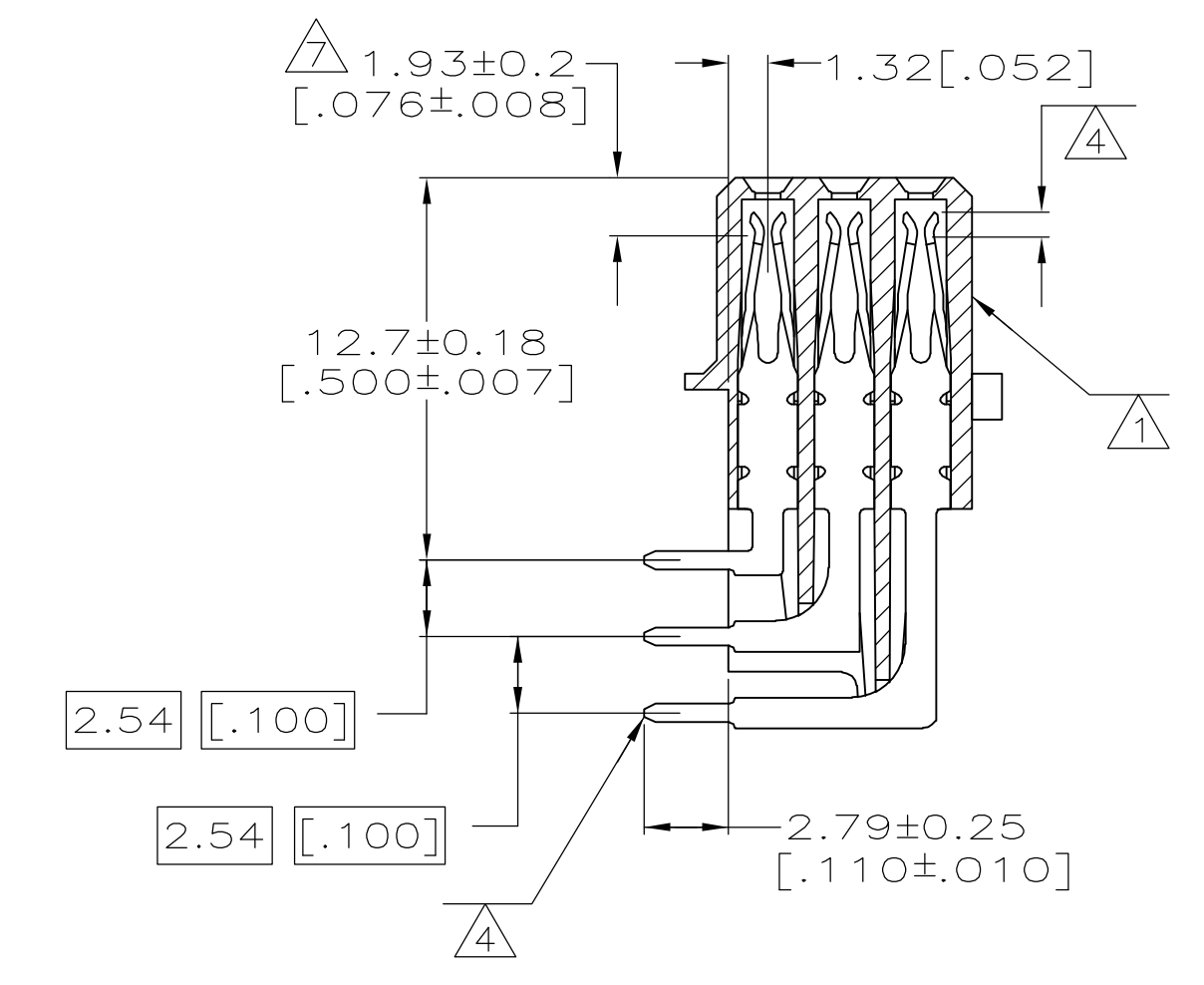
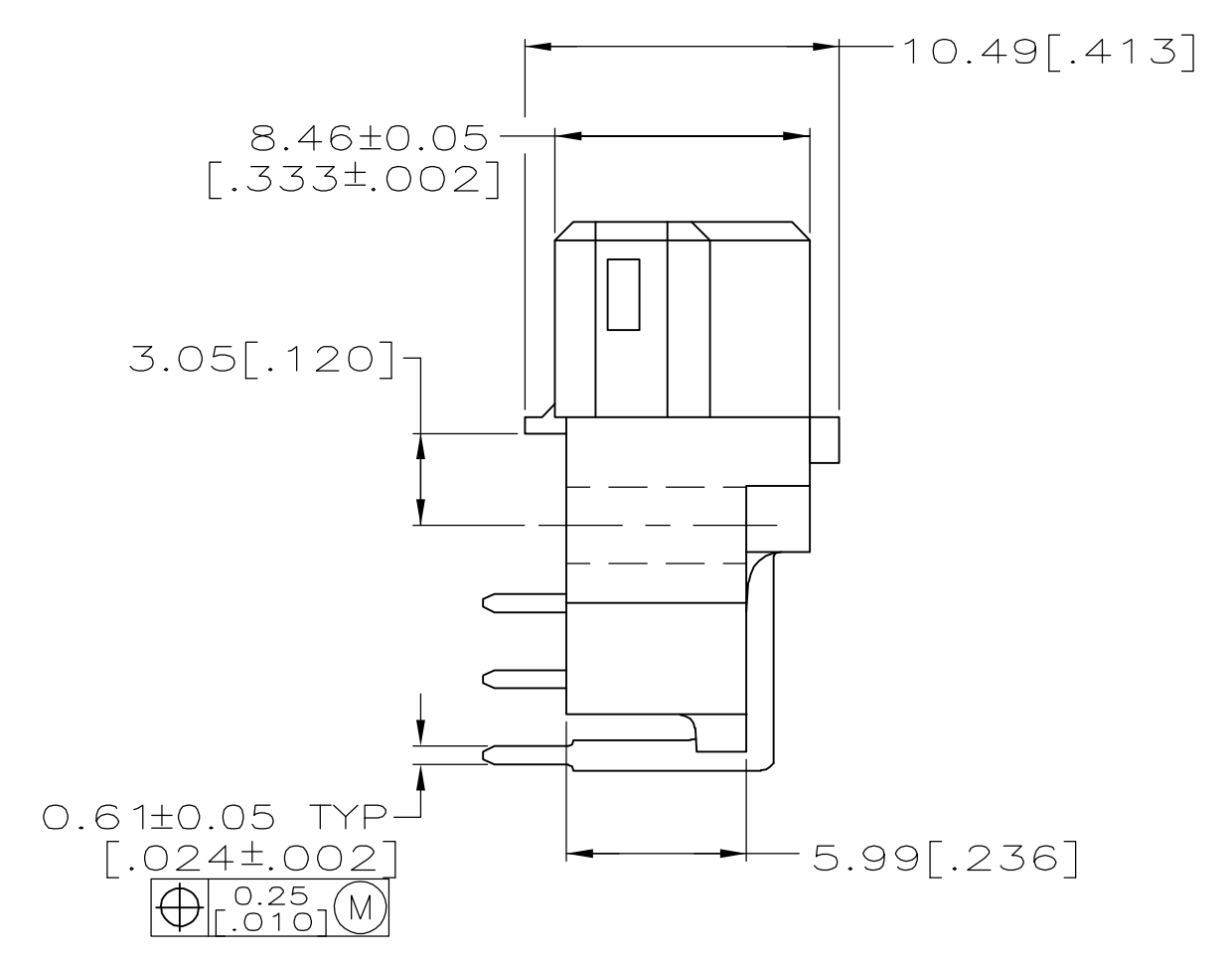
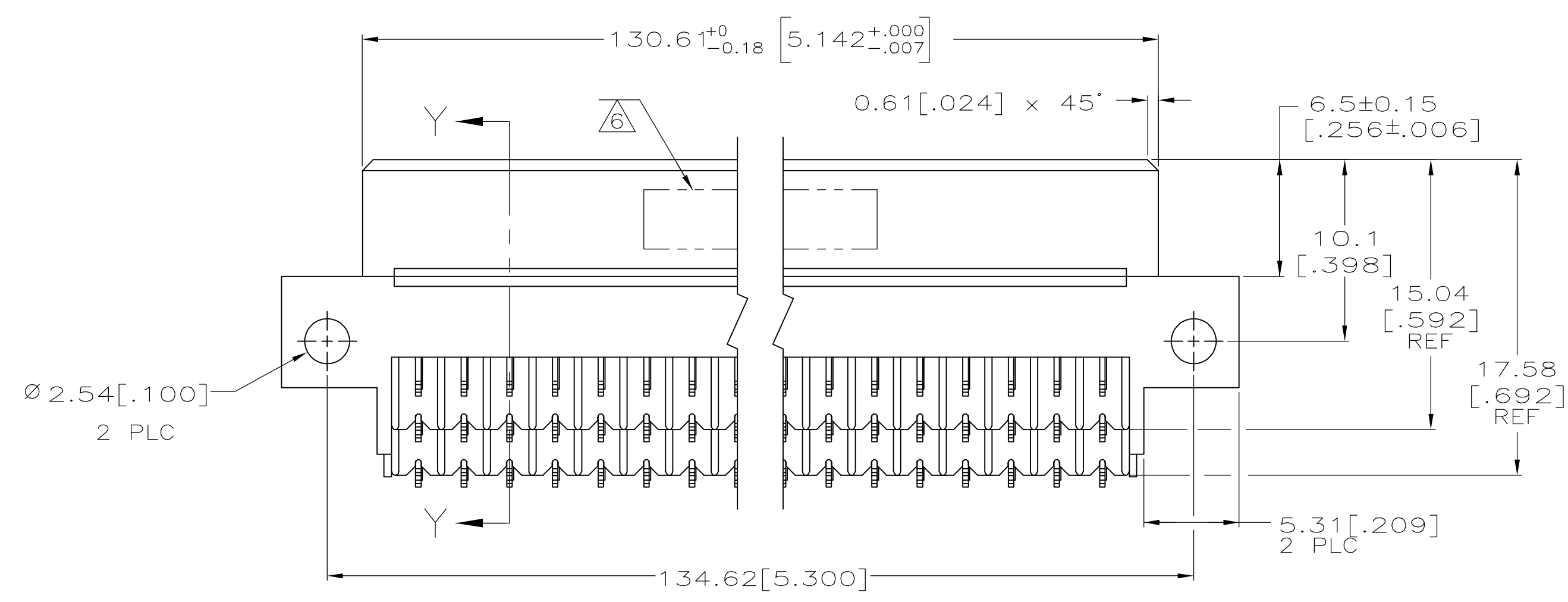


- ① MARKING ON THIS SIDE.
- ② HOUSING MATERIAL: GLASS-FILLED POLYMER.
- ③ CONTACT MATERIAL: COPPER ALLOY.
- ④ CONTACT FINISH: DIN 41612 CLASS 2 IN CONTACT AREA. TIN PLATE ON POSTS.
- ⑤ RECOMMENDED HOLE SIZE FOR MANUAL APPLICATION OF CONNECTOR ONTO PC BOARD.
- ⑥ PART NUMBER, DATE CODE IDENTIFICATION, CSA LOGO, THIS APPROXIMATE AREA.
- △ CONTACT POINT.



PC BOARD LAYOUT

1 THRU 50	X	X	X	150	5650875-5
POSITIONS LOADED	C	B	A	NO. OF LOADED POSITIONS	ASSY PART NUMBER

THIS DRAWING IS A CONTROLLED DOCUMENT.		DWN J. POLIGNONE 03JUN05	Tyco Electronics Corporation Harrisburg, Pa 17105-3608	
DIMENSIONS: mm [INCHES]		CHK A. SHARPE 03JUN05	NAME ASSEMBLY, RECEPTACLE, EUROCARD, TYPE R, LEAD-FREE, 150 POSITION, 2.79[.110] SOLDER POSTS	
TOLERANCES UNLESS OTHERWISE SPECIFIED:		APP'D A. SHARPE 03JUN05	SIZE CAGE CODE DRAWING NO. RESTRICTED TO	
0 PLC ± -		PRODUCT SPEC	A1 00779 ©=5650875	
1 PLC ± -		APPLICATION SPEC	WEIGHT -	
2 PLC ± 0.15[.005]			CUSTOMER DRAWING	
3 PLC ± -			SCALE 4:1 SHEET 1 OF 1 REV 0	
4 PLC ± -				
ANGLES ± -				
FINISH				