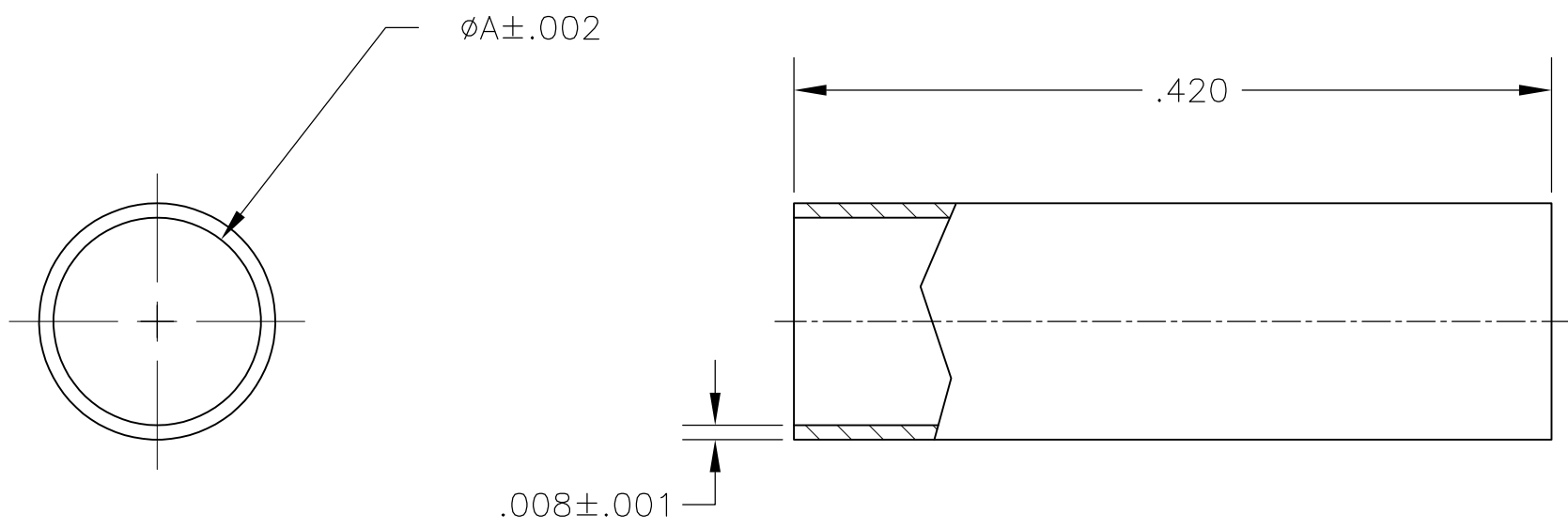


THIS DRAWING IS UNPUBLISHED. RELEASED FOR PUBLICATION  
 © COPYRIGHT BY TYCO ELECTRONICS CORPORATION. ALL RIGHTS RESERVED.

LOC	DIST	REVISIONS					
AJ	16	P	LTR	DESCRIPTION	DATE	DWN	APVD
			C	REVISED PER ECO-10-008433	24MAY10	HMR	KW



NOTES:

- ① COPPER ALLOY
- ② SILVER PLATE PER QQ-S-365.
- ③ TIN-LEAD PLATE PER ASTM-B-545, WITH SUPPLEMENTAL ANTI FRETTING LUBRICANT.
- ④ MATTE TIN PLATE PER ASTM-B-545, WITH SUPPLEMENTAL ANTI FRETTING LUBRICANT.

.115	④	9-50285-0
.130	③	50285-8
.115	③	50285-7
.130	②	50285-5
.115	②	50285-1
$\phi A$	FINISH	PART NO.

THIS DRAWING IS A CONTROLLED DOCUMENT.		DWN G. VIERA 11SEP2003	Tyco Electronics Corporation Harrisburg, PA 17105-3608		
DIMENSIONS: INCHES		CHK K. WEIDNER 12SEP03			
TOLERANCES UNLESS OTHERWISE SPECIFIED:		APVD K. WEIDNER 12SEP03	NAME COAXIAL, R.F. FERRULE		
0 PLC ± - 1 PLC ± - 2 PLC ± - 3 PLC ± .008 4 PLC ± - ANGLES ± 5°		PRODUCT SPEC -	RESTRICTED TO -		
MATERIAL SEE NOTE ①		APPLICATION SPEC -	SIZE A3	CAGE CODE 00779	DRAWING NO C-50285
FINISH SEE TABLE		WEIGHT -	CUSTOMER DRAWING		SCALE 10:1
			SHEET 1 OF 1		REV C