

GT3-M

~30° medium beam

SPECIFICATION:

Dimensions	Ø 35.0 mm
Height	9 mm
Fastening	glue, pin
ROHS compliant	yes ⓘ

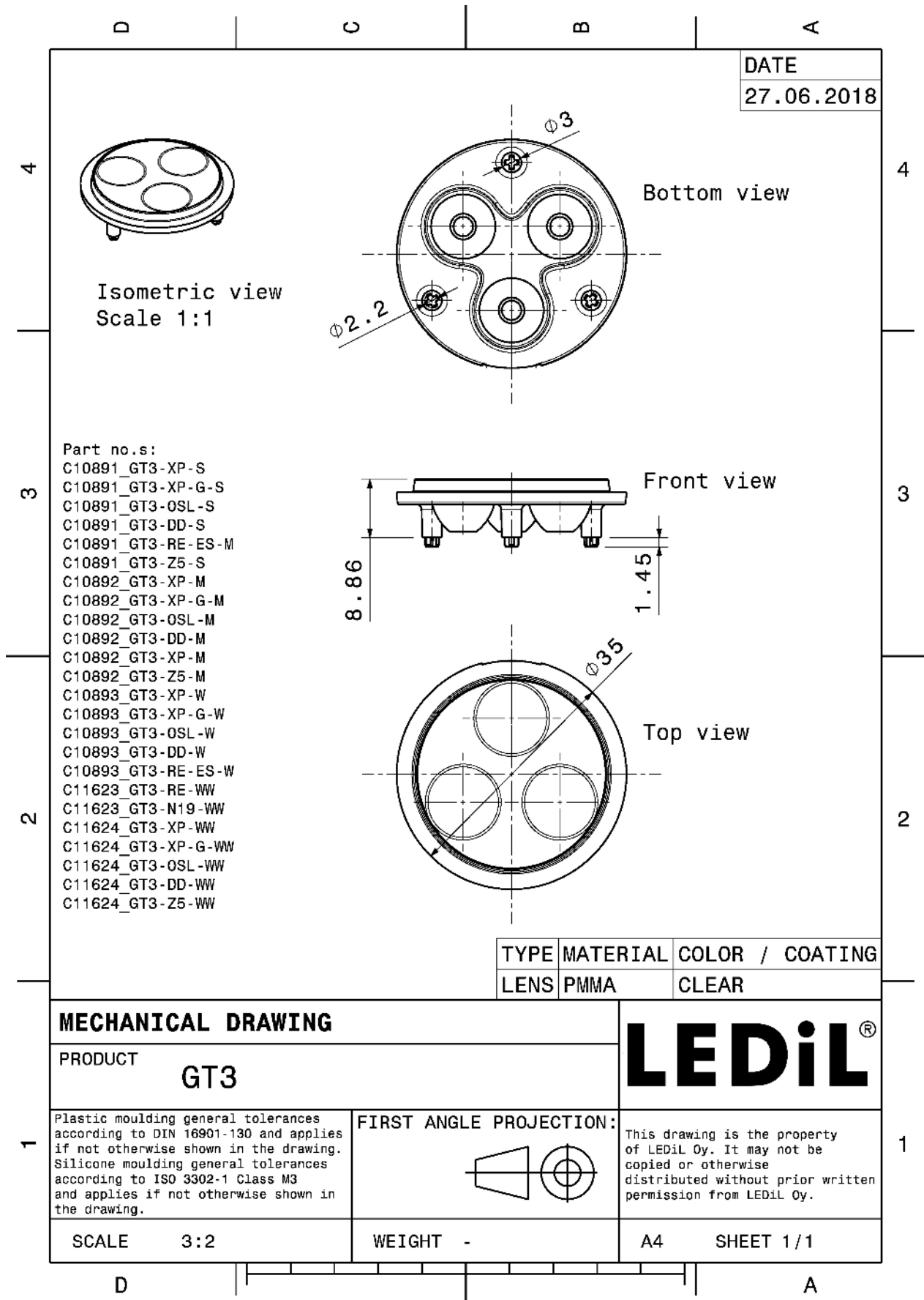
MATERIALS:

Component	Type	Material	Colour	Finish
GT3-M	Multi-lens	PMMA	clear	

ORDERING INFORMATION:

Component	Qty in box	MOQ	MPQ	Box weight (kg)
C10892_GT3-M » Box size: 300 x 250 x 250 mm	864	144	144	4.4





See also our general installation guide: www.ledil.com/installation_guide

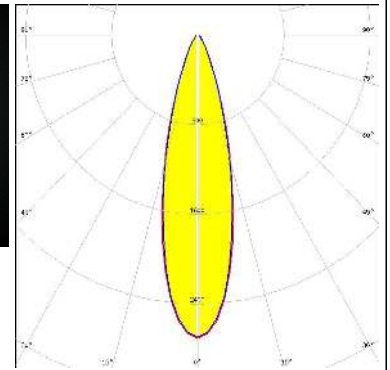
OPTICAL RESULTS (MEASURED):

CREE → LED

LED XB-D
 FWHM / FWTM 25.0° / 58.0°
 Efficiency 91 %
 Peak intensity 2 cd/lm
 LEDs/each optic 1
 Light colour White
 Required components:

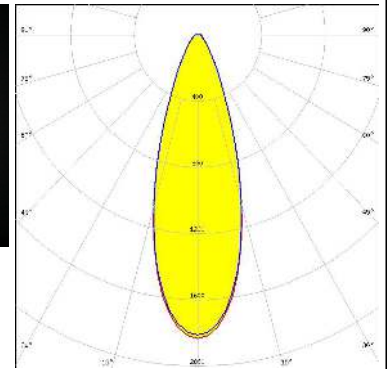
CREE → LED

LED XP-E
 FWHM / FWTM 27.0° / 54.0°
 Efficiency 91 %
 Peak intensity 2.7 cd/lm
 LEDs/each optic 1
 Light colour White
 Required components:



CREE → LED

LED XP-G
 FWHM / FWTM 34.0° / 66.0°
 Efficiency 92 %
 Peak intensity 1.8 cd/lm
 LEDs/each optic 1
 Light colour White
 Required components:



LUMILEDS

LED LUXEON A
 FWHM / FWTM 32.0°
 Efficiency %
 LEDs/each optic 1
 Light colour White
 Required components:

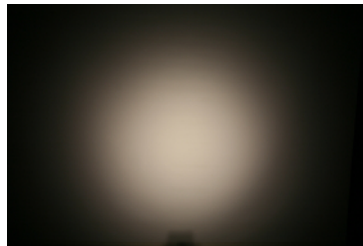
OPTICAL RESULTS (MEASURED):

LUMILEDS

LED LUXEON Rebel
FWHM / FWTM 28.0°
Efficiency 89 %
LEDs/each optic 1
Light colour White
Required components:

LUMILEDS

LED LUXEON Rebel ES
FWHM / FWTM 32.0°
Efficiency 86 %
LEDs/each optic 1
Light colour White
Required components:



NICHIA

LED NCSxx19A
FWHM / FWTM 28.0°
Efficiency 88 %
LEDs/each optic 1
Light colour White
Required components:

NICHIA

LED NVSxx19A
FWHM / FWTM 34.0°
Efficiency 88 %
LEDs/each optic 1
Light colour White
Required components:

OPTICAL RESULTS (MEASURED):

OSRAM

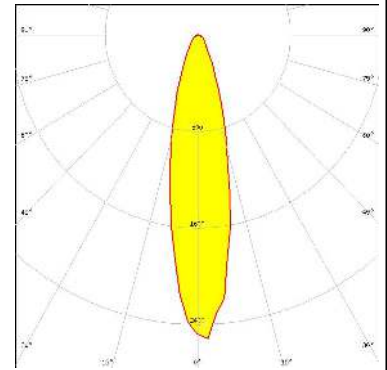
Opto Semiconductors

LED OSLON Square EC
FWHM / FWTM 32.0° / 60.0°
Efficiency 88 %
Peak intensity 2 cd/lm
LEDs/each optic 1
Light colour White
Required components:

OSRAM

Opto Semiconductors

LED OSLON SSL 150
FWHM / FWTM 26.0° / 57.0°
Efficiency 86 %
Peak intensity 2.5 cd/lm
LEDs/each optic 1
Light colour White
Required components:



OSRAM

Opto Semiconductors

LED OSLON SSL 80
FWHM / FWTM 28.0°
Efficiency 92 %
LEDs/each optic 1
Light colour White
Required components:



SEOUL SEMICONDUCTOR

LED Z5
FWHM / FWTM 28.0°
Efficiency %
LEDs/each optic 1
Light colour White
Required components:

OPTICAL RESULTS (MEASURED):

SHARP

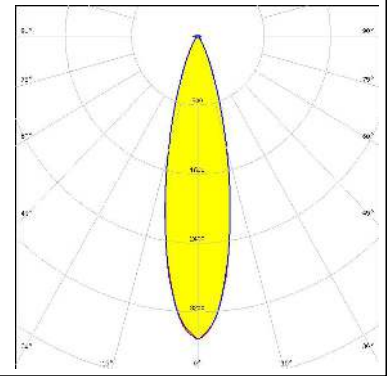
LED	Double Dome (GM2BB)
FWHM / FWTM	30.0°
Efficiency	%
LEDs/each optic	1
Light colour	White
Required components:	



OPTICAL RESULTS (SIMULATED):



LED	NCSxE17A
FWHM / FWTM	26.0° / 50.0°
Efficiency	96 %
Peak intensity	3.5 cd/lm
LEDs/each optic	1
Light colour	White
Required components:	



GENERAL INFORMATION:

NOTE: The typical beam angle will be changed by different color, chip size and chip position tolerance. The typical total beam angle is the full angle measured where the luminous intensity is half of the peak value.

MATERIALS:

As part of our continuous research and improvement processes, and to ensure the best possible quality and availability of our products, LEDiL reserves the right to change material grades without notice.

PRODUCT DATA USER AGREEMENT AND DISCLAIMER:

The measured data in the provided downloadable LEDiL Product Datasheets and Mechanical 2D-Drawings is rounded and provided as reference for planning. LEDiL Oy's optical specifications have been verified by conducting performance testing of the products in accordance with the company's quality system. The reported data are averaged results of multiple measurements with typical variation. LEDiL Oy reserves the right to without prior notification make changes and improvements to its products.

LEDiL Oy assumes neither warranty, nor guarantee nor any other liability of any kind for the contents and correctness of the provided data. The provided data has been generated with highest diligence but the provided data may in reality not represent the complete possible variation range of all intrinsic parameters. Therefore, in certain cases a deviation from the provided data could occur.

LEDiL Oy reserves the right to undertake technical changes of its products without further notification which could lead to changes in the provided data. LEDiL Oy assumes no liability of any kind for the possible deviation from any provided data or any other damage resulting from the usage of the provided data.

The user agrees to this disclaimer and user agreement with the download or usage of the provided files.

LEDiL Oy

Joensuunkatu 13
FI-24240 SALO
Finland

LEDiL Inc.

228 West Page Street
Suite D
Sycamore IL 60178
USA

Ledil Optics Technology (Shenzhen) Co., Ltd.

405 , Block B
Casic Motor Building
Shenzhen 518057
P.R.CHINA

Local sales and technical support

[www.ledil.com/
where_to_buy](http://www.ledil.com/where_to_buy)

Shipping locations

Salo, Finland
Hong Kong, China

Distribution Partners

[www.ledil.com/
where_to_buy](http://www.ledil.com/where_to_buy)