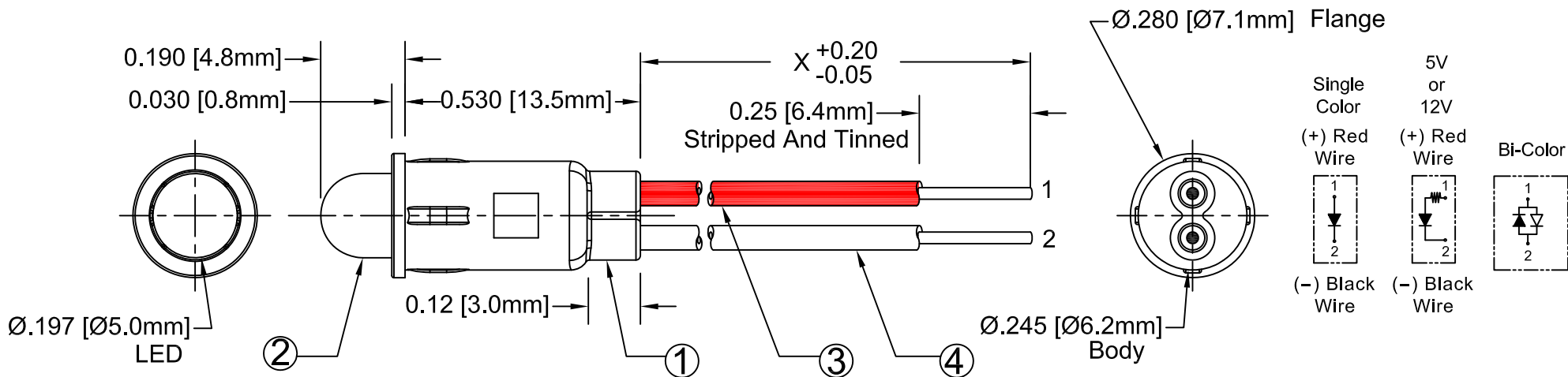


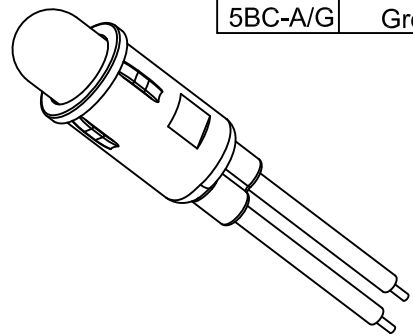
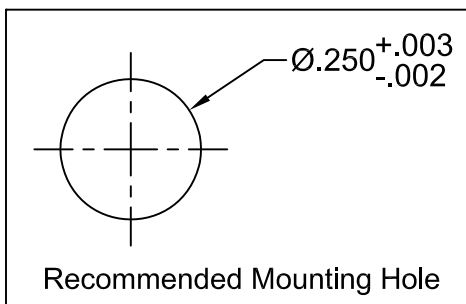
ITEM	Q'TY	PART NUMBER	PART DESCRIPTION
1	1	PM5-XXX	LED Holder, Panel Mount, Press Fit, (5mm) PM5 (Standard LED), PM5-5V (5V LED), & PM5-12V (12V LED)
2	1	5XX	T1 ¼ (5mm) Non-Flange LED, See Following Pages
3	1	BWS24-1007-RD	24AWG Wire Lead U.L. 1007, Red
4	1	BWS24-1007-BK	24AWG Wire Lead U.L. 1007, Black

REV.	DESCRIPTION	DATE	APPROVED
D	Added PM5UGCWX.X Specs	03/02/09	T. Y.
E	Added 5WC2.520 & 5WC4.030 Specs	06/29/09	T. Y.
F	Added 5WC7.015 & 5XRC8.515 Specs	10/01/09	T. Y.
G	Added 5BC-Y/G Specs	02/09/10	T. Y.
H	Updated LED Offering	05/03/12	T. Y.
J	Updated BOM item 1	11/13/12	T. Y.
K	Corrected LED P/N Typo in Table	04/23/14	J. C.



BI-COLOR POLARITY		
LED P/N	(1) Cathode	(2) Cathode
5BC	Green	Red
5BC-Y/G	Green	Yellow
5BC-R/Y	Yellow	Red
5BC-A/G	Green	Amber

EXAMPLE:  
**PM5RDW6.5\***  
 Wire Length in inches  
 LED Color & Lens Appearance.  
 Series


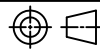


### ABSOLUTE MAXIMUM RATINGS (Ta = 25°C)


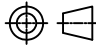
REVERSE VOLTAGE	5V
REVERSE CURRENT ( VR=5V)	100µA
OPERATING TEMPERATURE RANGE	-25°C ~ 85°C
STORAGE TEMPERATURE	-30°C ~ 100°C
LEAD SOLDERING TEMPERATURE (1/16" FROM BODY)	260°C for 5 Seconds

STANDARD TOLERANCE (UNLESS OTHERWISE SPECIFIED)		 4 THOMAS, IRVINE, CA. 92618 TEL: (949) 951-8808 FAX: (949) 951-3974	
DECIMALS	ANGULAR		
.X ± .1	X° ± 1°		<b>TITLE:</b> STD PANEL MOUNT INDICATORS W/ WIRES
.XX ± .02			
.XXX ± .010			
DESIGNED: <b>David Green</b>	DATE: <b>10/06/04</b>	<b>PART NO:</b> PM5XXWX.X	REVISION: <b>K</b>
CHECKED: <b>T. Yin</b>	DATE: <b>10/06/04</b>	<b>CAGE CODE:</b> 32559	<b>SHEET # 1 OF 4</b>
CAD GENERATED DOCUMENT, DO NOT MEASURE DRAWING.			

LED Assy.No.	Chip			Lens Appearance	Electro-Optical Data @20mA				Viewing Angle 2 θ 1/2 (Deg)	LED P/N
	Material	Peak Wave Length	Emitted Color		I <sub>f</sub>	V <sub>f</sub>		I <sub>v</sub>		
					(mA)	(V)		(mcd)		
MAX	TYP	MAX	TYP							
PM5BWCWX.X	GaN/SiC	430	BLUE	WATER CLEAR	25	4	4.5	25	20	5BWC
PM5BWDWX.X	GaN/SiC	430	BLUE	DIFFUSED	25	4	4.5	15	45	5BWD
PM5BWTWX.X	GaN/SiC	430	BLUE	TINTED	25	4	4.5	30	20	5BWT
PM5GCW.X.	GaP/GaP	568	GREEN	WATER CLEAR	30	2.1	2.8	40	35	5GC
PM5GDWX.X	GaP/GaP	568	GREEN	DIFFUSED	30	2.1	2.8	25	45	5GD
PM5GTWX.X	GaP/GaP	568	GREEN	TINTED	30	2.1	2.8	40	35	5GT
PM5PGCW.X.X	GaP/GaP	555	PURE GREEN	WATER CLEAR	30	2.2	2.8	10	35	5PGC
PM5PGDWX.X	GaP/GaP	555	PURE GREEN	DIFFUSED	30	2.2	2.8	10	45	5PGD
PM5PGTWX.X	GaP/GaP	555	PURE GREEN	TINTED	30	2.2	2.8	10	35	5PGT
PM5YCWX.X	GaAsp/GaP	590	YELLOW	WATER CLEAR	30	2	2.8	40	35	5YC
PM5YDWX.X	GaAsp/GaP	590	YELLOW	DIFFUSED	30	2	2.8	25	45	5YD
PM5YTWX.X	GaAsp/GaP	590	YELLOW	TINTED	30	2	2.8	40	35	5YT
PM5ACWX.X	GaAsp/GaP	605	AMBER	WATER CLEAR	30	2	2.8	40	35	5AC
PM5ADWX.X	GaAsp/GaP	605	AMBER	DIFFUSED	30	2	2.8	25	45	5AD
PM5ATWX.X	GaAsp/GaP	605	AMBER	TINTED	30	2	2.8	40	35	5AT
PM5HCWX.X	GaAsp/GaP	625	HE RED	WATER CLEAR	30	2	2.8	40	35	5HC
PM5HDWX.X	GaAsp/GaP	625	HE RED	DIFFUSED	30	2	2.8	25	45	5HD
PM5HTWX.X	GaAsp/GaP	625	HE RED	TINTED	30	2	2.8	40	35	5HT
PM5RCWX.X	GaP/GaP	700	RED	WATER CLEAR	20	2.1	2.8	2	35	5RC
PM5RDWX.X	GaP/GaP	700	RED	DIFFUSED	20	2.1	2.8	2	45	5RD
PM5RTWX.X	GaP/GaP	700	RED	TINTED	20	2.1	2.8	2	35	5RT
PM5BCWX.X-A/G	GaAsp/GaP	605	AMBER	WHITE DIFFUSED	30	2	2.8	6	45	5BC-A/G
	GaP/GaP	568	GREEN		30	2.1	2.8	6		
PM5BCWX.X	GaAsp/GaP	625	RED	WHITE DIFFUSED	30	2	2.8	6	45	5BC
	GaP/GaP	568	GREEN		30	2.1	2.8	8		
PM5BCWX.X-R/Y	GaAsp/GaP	625	RED	WHITE DIFFUSED	30	2	2.8	6	45	5BC-R/Y
	GaP/GaP	590	YELLOW		30	2	2.8	5		
PM5BCWX.X-Y/G	GaAsp/GaP	590	YELLOW	WHITE DIFFUSED	30	2	2.8	5	45	5BC-Y/G
	GaP/GaP	568	GREEN		30	2.1	2.8	8		



STANDARD TOLERANCE ( UNLESS OTHERWISE SPECIFIED ) ±10% ALL VALUES      ANGULAR		 <b>BIVAR</b> <sup>®</sup> 4 THOMAS, IRVINE, CA. 92618 TEL: (949) 951-8808    FAX: (949) 951-3974	
			
DESIGNED: <b>David Green</b>	DATE: <b>10/06/04</b>	TITLE: STD PANEL MOUNT INDICATORS W/ WIRES	REVISION: <b>K</b>
CHECKED: <b>T. Yin</b>	DATE: <b>10/06/04</b>	PART NO: <b>PM5XXWX.X</b>	CAGE CODE : <b>32559</b> SHEET # <b>2 OF 4</b>
CAD GENERATED DOCUMENT, DO NOT MEASURE DRAWING.			

LED Assy.No.	Chip			Lens Appearance	Electro-Optical Data @20mA				Viewing Angle 2 θ 1/2 (Deg)	LED P/N
	Material	Peak Wave Length	Emitted Color		If (mA)	Vf (V)		Iv (mcd)		
					MAX	TYP	MAX	TYP		
PM5UBWCWX.X	InGaN/SiC	468	BLUE	WATER CLEAR	76	3.7	4.5	2500	15	5BWC2.515
PM5SGCWX.X	GaP/GaP	568	GREEN	WATER CLEAR	30	2.1	2.8	60	35	5SGC
PM5SGDWX.X	GaP/GaP	568	GREEN	DIFFUSED	30	2.1	2.8	50	40	5SGD
PM5SGTWX.X	GaP/GaP	568	GREEN	TINTED	30	2.1	2.8	60	35	5SGT
PM5SYCWX.X	GaAsP/GaP	590	YELLOW	WATER CLEAR	30	2	2.8	600	35	5SYC
PM5SYDWX.X	GaAsP/GaP	590	YELLOW	DIFFUSED	30	2	2.8	150	40	5SYD
PM5SYTWX.X	GaAsP/GaP	590	YELLOW	TINTED	30	2	2.8	600	35	5SYT
PM5SRCWX.X	GaAlAs/GaAs	645	SUPER RED	WATER CLEAR	30	1.7	2.4	60	35	5SRC
PM5SRDWX.X	GaAlAs/GaAs	645	SUPER RED	DIFFUSED	30	1.7	2.4	40	40	5SRD
PM5SRTWX.X	GaAlAs/GaAs	645	SUPER RED	TINTED	30	1.7	2.4	60	35	5SRT
PM5UGCWX.X	AlGaInP	570	GREEN	WATER CLEAR	30	2.1	2.4	600	35	5UGC
PMTSUGCWX.X	AlGaInP	570	GREEN	WATER CLEAR	30	2.1	2.4	300	35	5SUGC
PM5UYCWX.X	AlGaInP	590	YELLOW	WATER CLEAR	30	2	2.4	1000	30	5UYC
PM5SUYCWX.X	AlGaInP	590	YELLOW	WATER CLEAR	30	2	2.4	700	35	5SUYC
PM5UOCWX.X	AlGaInP	590	YELLOW	WATER CLEAR	30	2	2.4	500	35	5UUYC
PM5UOCWX.X	AlGaInP	625	ORANGE	WATER CLEAR	30	1.8	2.4	1400	35	5UOC
PM5SUOCWX.X	AlGaInP	625	ORANGE	WATER CLEAR	30	1.8	2.4	1300	35	5SUOC
PM5URCWX.X	GaAlAs/GaAs	645	RED	WATER CLEAR	30	1.7	2.4	400	30	5URC
PM5SURCWX.X	AlGaInP	640	RED	WATER CLEAR	30	1.8	2.4	500	35	5SURC
PM5UWCWX.X	InGaN/SiC	6500K	WHITE	WATER CLEAR	100	3.5	4.2	2700	30	5WC2.730

STANDARD TOLERANCE ( UNLESS OTHERWISE SPECIFIED ) ±10% ALL VALUES		 <b>BIVAR</b> <sup>®</sup> 4 THOMAS, IRVINE, CA. 92618 TEL: (949) 951-8808 FAX: (949) 951-3974	
ANGULAR X° ± 1°			
		TITLE: STD PANEL MOUNT INDICATORS W/ WIRES	
DESIGNED: <b>David Green</b>	DATE: <b>10/06/04</b>	PART NO: <b>PM5XXWX.X</b>	REVISION: <b>K</b>
CHECKED: <b>T. Yin</b>	DATE: <b>10/06/04</b>	CAGE CODE : <b>32559</b>	SHEET # <b>3 OF 4</b>
CAD GENERATED DOCUMENT, DO NOT MEASURE DRAWING.			

LED Assy. No.	Peak Wave Length $\lambda_p$ (nm)	Emitted Color	Lens Appearance	Max. Rating	Electro-Optical Data @ 2m A			Viewing Angle 2 $\theta$ 1/2 (Deg)	LED P/N
				If (mA)	Vf (V)		Iv (mcd)		
				MAX	TYP	MAX	TYP		
PM5BVDLWX.X	430	BLUE	DIFFUSED	7	3.8	4.2	4	45	5BVDL
PM5PGDLWX.X	555	PURE GREEN	DIFFUSED	7	2.1	2.6	1	45	5PGDL
PM5GDLWX.X	568	GREEN	DIFFUSED	7	2.1	2.6	5	45	5GDL
PM5YDLWX.X	590	YELLOW	DIFFUSED	7	2.0	2.6	4	45	5YDL
PM5ADLWX.X	605	AMBER	DIFFUSED	7	2.0	2.6	4	45	5ADL
PM5HDLWX.X	625	HE RED	DIFFUSED	7	2.0	2.6	5	45	5HDL
PM5SRDLWX.X	645	SUPER RED	DIFFUSED	7	1.7	2.3	6	45	5SRDL

Assembly P/N	Peak Wave Length $\lambda_p$ (nm)	Emitted Color	Lens Appearance	Electro-Optical Data				Viewing Angle 2 $\theta$ 1/2 (Deg)	LED P/N
				If (mA)	Vf (V)		Iv (mcd)		
				MAX	TYP	MAX	TYP		
<b>5 Volt</b>				<b>Data @ 5V</b>					
PM5BWD5VWX.X	430	BLUE	DIFFUSED	-	-	5	15	40	5BWD5V
PM5GC5VWX.X	568	GREEN	WATER CLEAR	-	-	5	40	40	5GC5V
PM5GD5VWX.X	568	GREEN	DIFFUSED	-	-	5	25	40	5GD5V
PM5GT5VWX.X	568	GREEN	TINTED	-	-	5	40	40	5GT5V
PM5AD5VWX.X	605	AMBER	DIFFUSED	-	-	5	25	40	5AD5V
PM5HD5VWX.X	625	HE RED	DIFFUSED	-	-	5	30	40	5HD5V
PM5RD5VWX.X	700	RED	DIFFUSED	-	-	5	1.5	40	5RD5V
PM5YD5VWX.X	590	YELLOW	DIFFUSED	-	-	5	25	40	5YD5V
<b>12 Volt</b>				<b>Data @ 12V</b>					
PM5GC12VWX.X	568	GREEN	WATER CLEAR	-	-	12	40	35	5GC12V
PM5GD12VWX.X	568	GREEN	DIFFUSED	-	-	12	25	40	5GD12V
PM5HC12VWX.X	625	HE RED	WATER CLEAR	-	-	12	50	35	5HC12V
PM5HD12VWX.X	625	HE RED	DIFFUSED	-	-	12	30	40	5HD12V
PM5RC12VWX.X	700	RED	WATER CLEAR	-	-	12	2	35	5RC12V
PM5RD12VWX.X	700	RED	DIFFUSED	-	-	12	1.5	40	5RD12V
PM5YC12VWX.X	590	YELLOW	WATER CLEAR	-	-	12	25	35	5YC12V
PM5YD12VWX.X	590	YELLOW	DIFFUSED	-	-	12	20	40	5YD12V

STANDARD TOLERANCE ( UNLESS OTHERWISE SPECIFIED ) $\pm 10\%$ ALL VALUES		 <b>BIVAR</b> <sup>®</sup> 4 THOMAS, IRVINE, CA. 92618 TEL: (949) 951-8808 FAX: (949) 951-3974	
ANGULAR X° $\pm$ 1°			
		TITLE: STD PANEL MOUNT INDICATORS W/ WIRES	
		DESIGNED: David Green	DATE: 10/06/04
CHECKED: T. Yin		DATE: 10/06/04	CAGE CODE : 32559 SHEET # 4 OF 4
CAD GENERATED DOCUMENT, DO NOT MEASURE DRAWING.			