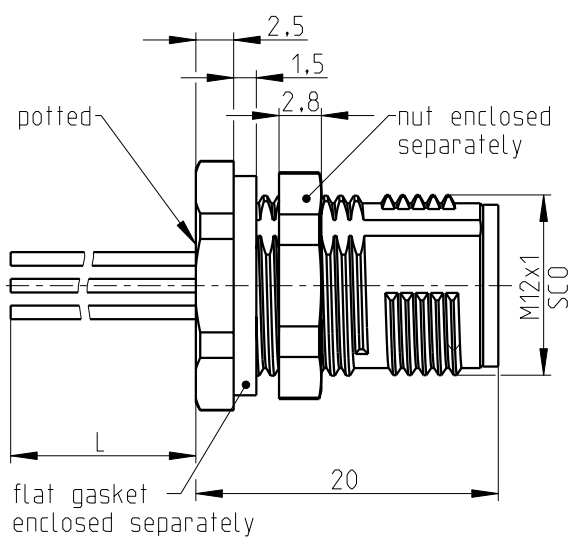
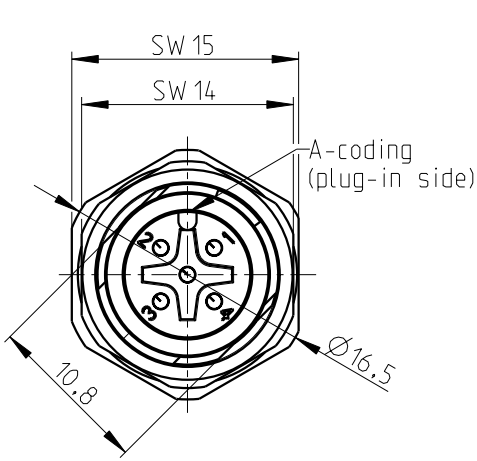


The copying, distribution and utilization of this document as well as the communication of the contents to others without expressed authorization is prohibited according to §18 UWG German Law. Offenders will be held liable for the payment of damages according to §19 UWG German Law. All rights reserved, in particular the right to carry out patent, utility model or ornamental design registrations.

Weitergabe sowie Vervielfältigung dieses Dokuments, Verwertung und Mitteilung seines Inhalts gem §18 UWG verboten, soweit nicht ausdrücklich gestattet. Zuwiderhandlungen verpflichten zu Schadensersatz (§19 UWG). Alle Rechte vorbehalten, insbesondere das Recht, Patent-, Gebrauchsmuster- oder Geschmacksmusteranmeldungen durchzuführen. CONINVERS GmbH Heisenbergstrasse 1 D-71083 Herrenberg

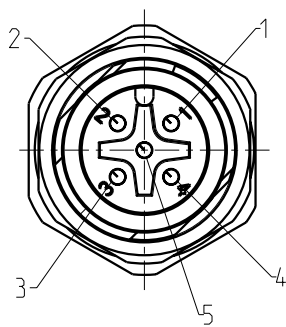
Mechanical data (according to IEC 61076-2-101)		Material	
no. of poles / coding	5 / A	housing / surface	GD-Zn / Ni
contact termination	crimp / pin	contact carrier	PA 66 / UL 94 V0
contact- \varnothing	1mm	colour	black
temperature range	-40 °C / +85 °C	wire	TPE
protection class	IP 67	cross section	0.34mm ²
mating cycles	> 100	contacts / surface	CuZn / Au
locking system	M12 STANDARD / SPEEDCON	sealing gasket	Klingersil C-4500
		potting	PU 2k / UL 94 V0

further information:
 - see technical data M12-1
 - see installation recommendation M12x1 design DSI



All specified data refers to the mounted M12 installation plugs >IP54 and requires that the connector pair is correctly plugged and locked. Influences from wires, cables or PCB mounting are also to be taken into consideration.

View of pin assignment
Plug-in side



Pin layout

pin	colour
1	brown
2	white
3	blue
4	black
5	grey

order-no.	L (m)	article designation
1551888	0.5	SACC-DSI-MS-5CON-M12/0.5 SCO
1402137	0.6	SACC-DSI-MS-5P-M12/0.6 PVCS0.5

general tolerance acc. to DIN ISO 2768-c		technical changes reserved		Index 2 / 2012-11-28		scale: 2:1
design	date	description: Housing with crimp contacts Rear mounting (M12x1)				page: 1 of: 1
chk.	name					
		drawing-no.:	BA-L31BOC0AX,XX (X,XX=L)		doc.-no.:	00679350
		order-no.:	see chart			
		article designation:	see chart			