

175783-2 ✓ ACTIVE

Multilock Connector System

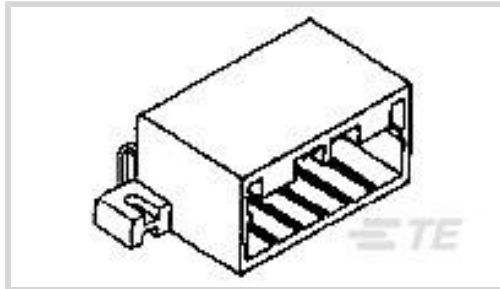
TE Internal #: 175783-2

PCB Mount Header, Horizontal, Wire-to-Board, 3.5 mm [.138 in]
Centerline, Fully Shrouded, Tin, Through Hole - Solder, Multilock
Connector System

[View on TE.com >](#)



Connectors > PCB Connectors > PCB Headers & Receptacles > Signal Header



Connector System: **Wire-to-Board**

Centerline (Pitch): **3.5 mm [.138 in]**

Sealable: **No**

PCB Mount Orientation: **Horizontal**

Number of Rows: **1**

[All Signal Header \(446\)](#)

Features

Product Type Features

Hybrid Header	No
Connector Shape	Rectangular
PCB Connector Assembly Type	PCB Mount Header
Header Type	Fully Shrouded
Connector System	Wire-to-Board
Sealable	No
Connector & Contact Terminates To	Printed Circuit Board

Configuration Features

Number of Sections	1
Number of Signal Positions	6
PCB Mount Orientation	Horizontal
Number of Rows	1

Electrical Characteristics

Voltage Rating (Max)	12 VDC
Nominal Voltage Architecture	12 V
Operating Voltage	12 VDC

Body Features



Primary Product Color	Black
-----------------------	-------

Contact Features

Contact Size	1.8mm
--------------	-------

Contact Mating Area Plating Material	Tin
--------------------------------------	-----

Termination Features

Termination Method to Printed Circuit Board	Through Hole - Solder
---	-----------------------

Mechanical Attachment

Mounting Holes	With
----------------	------

Mating Retention	With
------------------	------

Mating Alignment	With
------------------	------

PCB Mount Alignment	Without
---------------------	---------

Panel Mount Feature	Without
---------------------	---------

PCB Mount Retention	Without
---------------------	---------

Mating Retention Type	Locking Interface
-----------------------	-------------------

Housing Features

Centerline (Pitch)	3.5 mm [.138 in]
--------------------	------------------

Dimensions

Connector Length	12.5 mm [.492 in]
------------------	-------------------

Connector Width	34.8 mm [1.37 in]
-----------------	-------------------

PCB Thickness (Recommended)	1.6 mm [.063 in]
-----------------------------	------------------

Profile Height from PCB	18.6 mm [.732 in]
-------------------------	-------------------

Usage Conditions

Operating Temperature (Max)	65 °C, 70 °C, 75 °C, 80 °C, 85 °C, 90 °C, 100 °C, 105 °C [149 °F][158 °F][167 °F][176 °F][185 °F][194 °F][212 °F][221 °F]
-----------------------------	---

Operating Temperature Range	-30 – 105 °C [-22 – 221 °F]
-----------------------------	-----------------------------

Operation/Application

Shielded	No
----------	----

Industry Standards

UL Flammability Rating	UL 94HB
------------------------	---------

Packaging Features

Packaging Type	Tube
----------------	------

Product Compliance

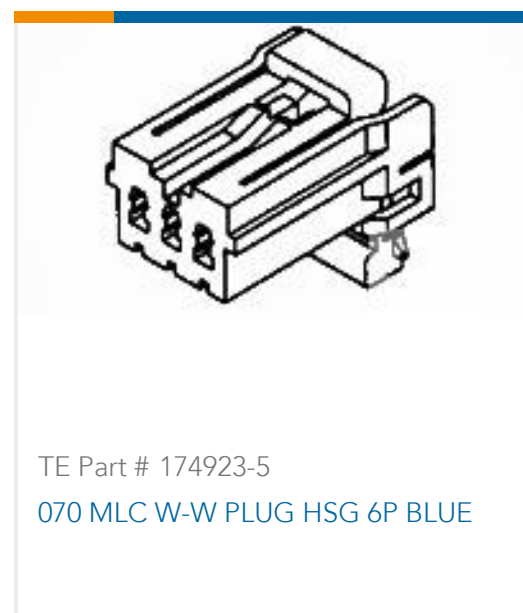
For compliance documentation, visit the product page on [TE.com](#)>

EU RoHS Directive 2011/65/EU	Compliant
EU ELV Directive 2000/53/EC	Compliant
China RoHS 2 Directive MIIT Order No 32, 2016	No Restricted Materials Above Threshold
EU REACH Regulation (EC) No. 1907/2006	Current ECHA Candidate List: JUNE 2023 (235) Candidate List Declared Against: JAN 2023 (233) Does not contain REACH SVHC
Halogen Content	Not Low Halogen - contains Br or Cl > 900 ppm.
Solder Process Capability	Not applicable for solder process capability

Product Compliance Disclaimer

This information is provided based on reasonable inquiry of our suppliers and represents our current actual knowledge based on the information they provided. This information is subject to change. The part numbers that TE has identified as EU RoHS compliant have a maximum concentration of 0.1% by weight in homogenous materials for lead, hexavalent chromium, mercury, PBB, PBDE, DBP, BBP, DEHP, DIBP, and 0.01% for cadmium, or qualify for an exemption to these limits as defined in the Annexes of Directive 2011/65/EU (RoHS2). Finished electrical and electronic equipment products will be CE marked as required by Directive 2011/65/EU. Components may not be CE marked. Additionally, the part numbers that TE has identified as EU ELV compliant have a maximum concentration of 0.1% by weight in homogenous materials for lead, hexavalent chromium, and mercury, and 0.01% for cadmium, or qualify for an exemption to these limits as defined in the Annexes of Directive 2000/53/EC (ELV). Regarding the REACH Regulation, the information TE provides on SVHC in articles for this part number is based on the latest European Chemicals Agency (ECHA) 'Guidance on requirements for substances in articles' posted at this URL: <https://echa.europa.eu/guidance-documents/guidance-on-reach>

Compatible Parts



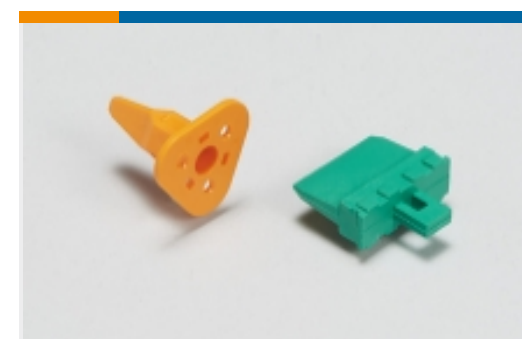
Also in the Series | [Multilock Connector System](#)



Automotive Connector Caps & Covers (17)



Automotive Connector EMC Shielding (1)



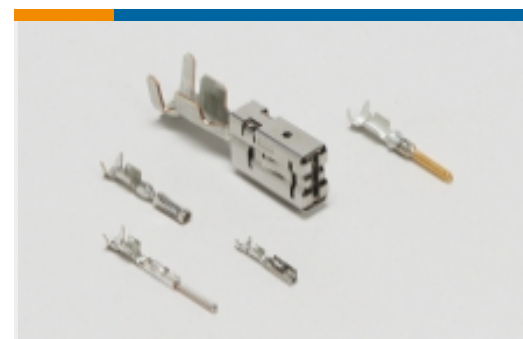
Automotive Connector Locks & Position Assurance (2)



Automotive Housings (603)



Automotive Seals & Cavity Plugs (2)



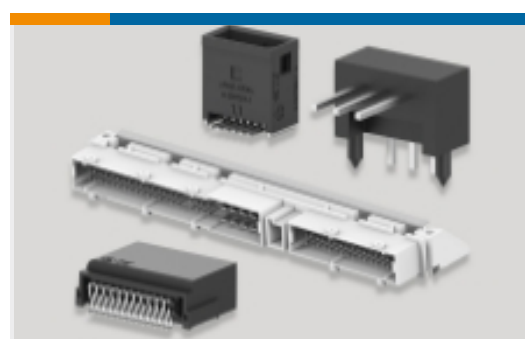
Automotive Terminals (141)



Insertion & Extraction Tools (6)



Other Automotive Connector Accessories (14)

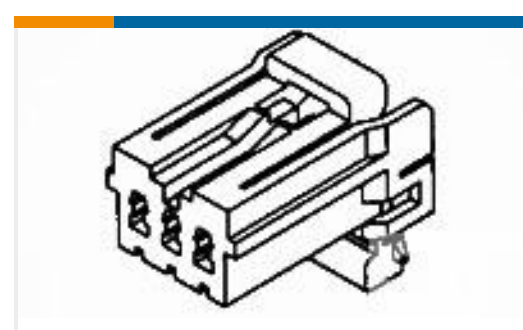


PCB Headers & Receptacles (142)

Customers Also Bought



TE Part #174049-2
Signal Header



TE Part #174923-1
070 MLC PLUG 6P



TE Part #0915756003
LSTT-R-9.5-0

Documents

Product Drawings

070 MLC CAP H ASSY SGL 6P BLA.

English

CAD Files

3D PDF

3D

Customer View Model



[ENG_CVM_CVM_175783-2_A.2d_dxf.zip](#)

English

Customer View Model

[ENG_CVM_CVM_175783-2_A.3d_igs.zip](#)

English

Customer View Model

[ENG_CVM_CVM_175783-2_A.3d_stp.zip](#)

English

By downloading the CAD file I accept and agree to the [Terms and Conditions](#) of use.

Product Specifications

[Product Specification](#)

Japanese