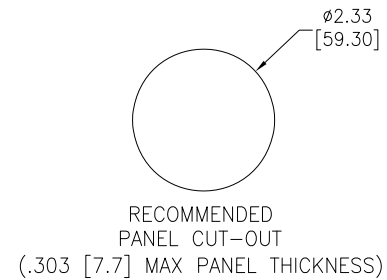
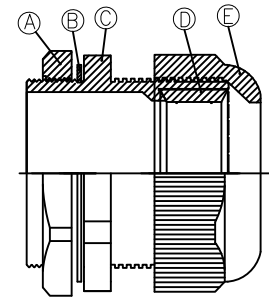
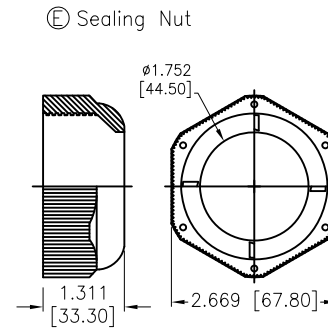
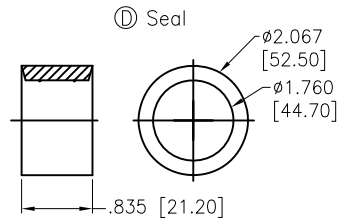
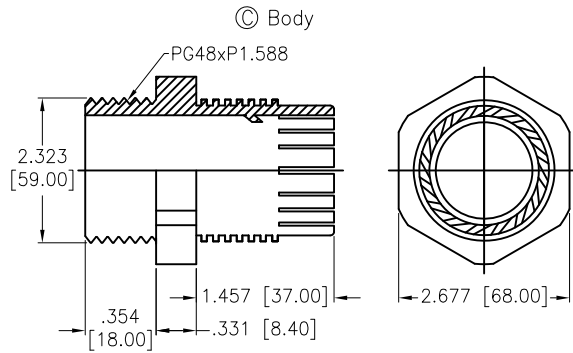
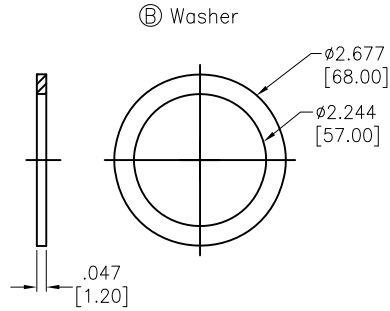
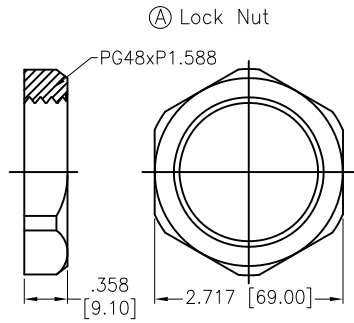


APPROVED: _____
 DATE: _____ TITLE: _____

Rev	AWO #	Description	Date	Appr
-		RELEASED	11/1/22	
A		UPDATE SPEC.	11/30/22	WX/RC



SPECIFICATIONS:

Material:
 Lock Nut: PA66, rated UL 94V-2
 Body: PA66, rated UL 94V-2
 Sealing Nut: PA66, rated UL 94V-2
 Washer: Nitrile Butylene
 Seal: Nitrile Butylene
 Mechanical:
 Cable Range O.D.: 37-44 mm
 Thread O.D. L2: 59.3mm
 Thread Length L2: 18 mm
 Spanner Size A&E: 69/68 mm
 Nut Torque: 4Nm Max.
 Environmental:
 Waterproof: IP68
 Lead free, RoHS compliant.



UNLESS OTHERWISE SPECIFIED ALL DIMENSIONS ARE INCHES [MM]. TOLERANCES: EXCEPT AS NOTED		
INCHES		HOLES
.X ± .10		ØX ± .10
.XX ± .020		ØXX ± .015
.XXX ± .015		ØXXX ± .010



909 Rahway Avenue,
 Union, NJ 07083
 Phone: 908-687-5000
 Fax: 908-687-5710

DRAWN	JJ	11/1/22
CHECKED	RC	11/1/22
APPROVED		
THIS DRAWING CONTAINS INFORMATION THAT IS PROPRIETARY AND SHOULD NOT BE USED WITHOUT PRIOR WRITTEN PERMISSION FROM ADAM TECH		

TITLE		WATERPROOF CONNECTOR, PG48, 1 HOLE, CABLE GLAND, WATERPROOF: IP68	
SIZE	PART NO.	REV.	
X	CG-P-48	A	
REF:	S00211C	SCALE:	NTS
		SHEET	1 OF 1