

⌚ (f)N\_pr Lsk`cp8 J @40/2+/. Bj V?+4@

⌚ (f)Qpsarspc8 Rfc J CB jgef r `p knsl rcb J CB bgac &`\_pc afgn' nh qs`qrp\_rc `w\_pp\_w  
Ⓞ/qcpj 2n\_p\_jj cj 0anjnpⓄ

⌚ (f)?nnj ga\_rgnh8 J gef r gl e qns pac

⌚ (f)K\_vgksk Anh bgrgnh Ⓞ | ■ ⌚ ⌚ ⌚ ⌚ Ⓞ

Grck	Qvk`nji	Anh bgrgnh	Sl gr
?bkgqag`gj grw bgagn_rgnh ⌚ /	Nm	0,66	⌚
Dnpu_pb Asppcl r ⌚ /	G <sub>D</sub>	.,6	⌚
Mncp_rgnh Rckncp_rspc	R <sub>nm</sub>	+1. Ⓞ) 63	⌚
Npcqcp_rgnh Rckncp_rspc	R <sub>qre</sub>	+2. Ⓞ) /..	⌚
Hsl argnh Rckncp_rspc	Rh	/03	⌚

⌚ / (h)nhc anjnpⓄ B943..I - J905..I Ⓞ

⌚ (f)Cj carpga\_j \_l b nmrga\_j Af\_p\_arcpqrgaq Ⓞ | ■ ⌚ ⌚ ⌚ ⌚ Ⓞ

Grck	Qvk`nji	Kgl ,	Rvn,	K_v,	Sl gr	Anh bgrgnh
Dnpu_pb Tnjr_ec ⌚ 0	<sub>D</sub>	0,43	0,7.	1, /3	T	G <sub>D</sub> ; 1.. k?
J skgl nsq Dj sv &B' ⌚ 1	≠ <sub>t</sub>	//3,6	//7,2	+	jk	G <sub>D</sub> ; 1.. k?
J skgl nsq Dj sv &J' ⌚ 1	≠ <sub>t</sub>	77	/ .0, /	+	jk	G <sub>D</sub> ; 1.. k?
Anj np Rckncp_rspcⓄBⓄ	R <sub>an</sub>	4.03	42.4	4565	I	G <sub>D</sub> ; 1.. k?
Anj np Rckncp_rspcⓄJ Ⓞ	R <sub>an</sub>	04/1	0517	0643	I	G <sub>D</sub> ; 1.. k?
Bctg_rgnh Anj npⓄBⓄ	bst	),...7	),...26	),...64	+	G <sub>D</sub> ; 1.. k?
Bctg_rgnh Anj npⓄJ Ⓞ	bst	+,...12	),...2	),...2/	+	G <sub>D</sub> ; 1.. k?
Ecl cp_j Anj np Pcl bcpgl e G bcv	■ -	53	6.	+	+	G <sub>D</sub> ; 1.. k?

⌚ / (h)kc\_ qspckcl r r nj cp\_l ac(h) | 1 ⌚

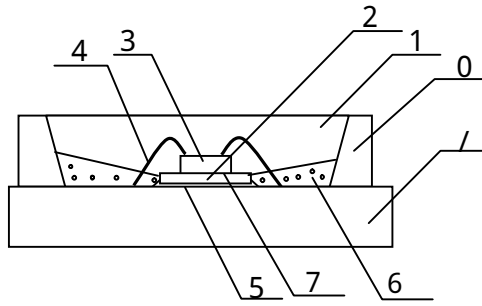
⌚ 0(h)kc\_ qspckcl r r nj cp\_l ac(h) | 5 ⌚

⌚ Rfcqc b\_r\_ \_pc kc\_ qspcb `w\_ kc\_ qspgl e cosgnkcl r antknj vgl e ugrf AGC/03 Anh bgrgnh Ⓞ

BCQ&L	AFCAI	?NNPMT?J	DATE: 2012/9/6	SPECIFICATION No.: R_pecr QNCA
			REV. A	<b>ROHM Co.,Ltd.</b>



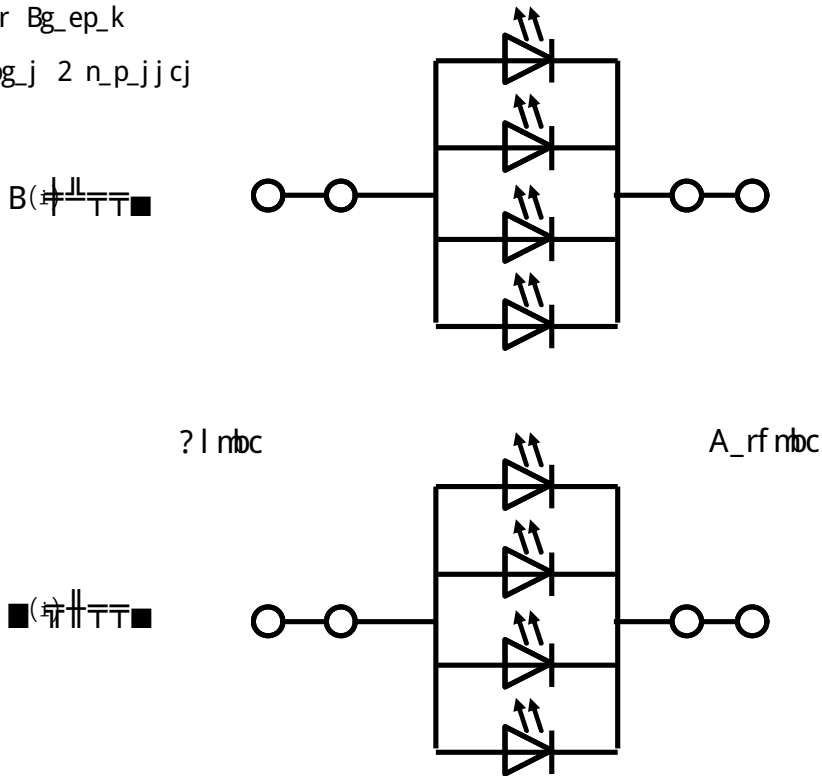
† , Qpsarspc



Lm	N_prq L_kc	K_rcpg_j
/	Qs`qrp_rc	ACK+1 Qs`qrp_rc
0	Ufgrc Pcqgl	Qj gamh c Pcqgl
1	Pcqgl	Qj gamh c Pcqgl
2	Qs`Knslr Qs`qrp_rc	Qg
3	J CB Bgc	Gl E_L mh Q nnf gpc
4	@mh bgl e Ugpc	?s
5	Bgc @mh b	?e
6	Ufgrc Pcqgl	Qj gamh c Pcqgl ⊕ RgM ⊕
7	Bgc @mh b	Qj gamh c Pcqgl

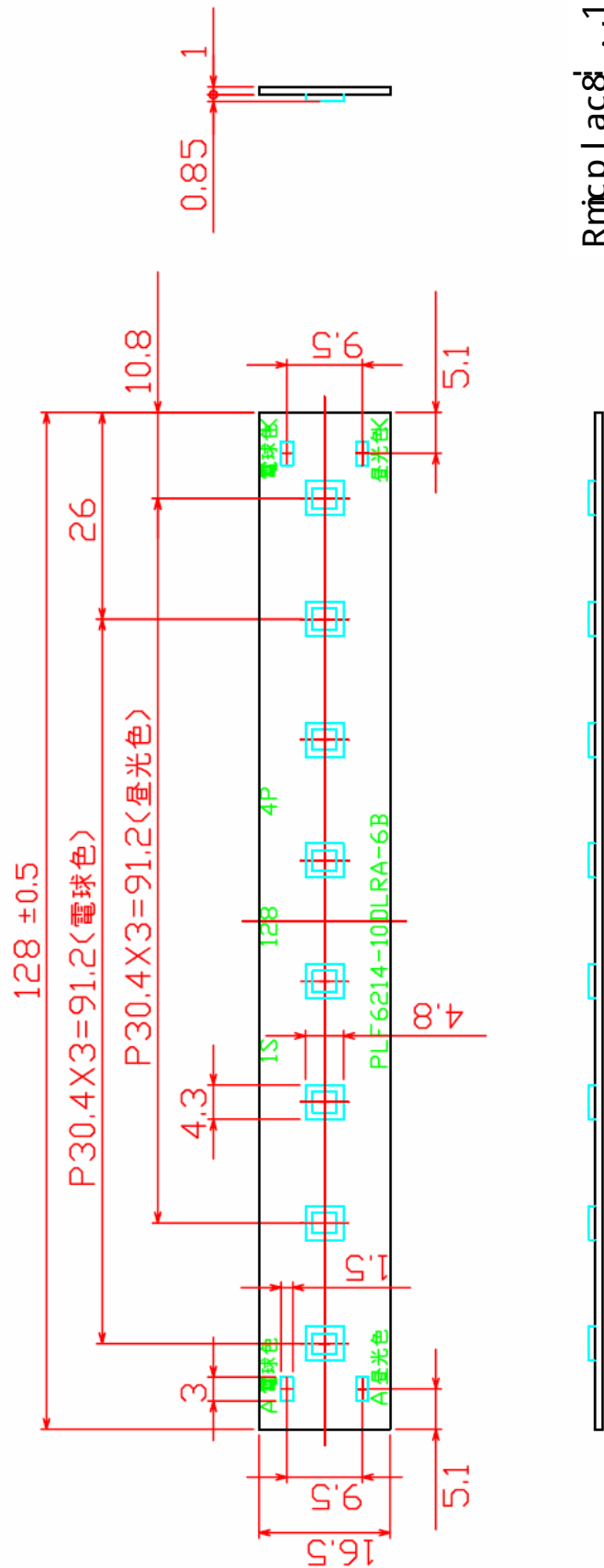
† (f) Agpasgr Bg\_ep\_k

/ qcpj 2 n\_p\_jj cj



~ (f) Bgkcl agmh

(Unit: mm)



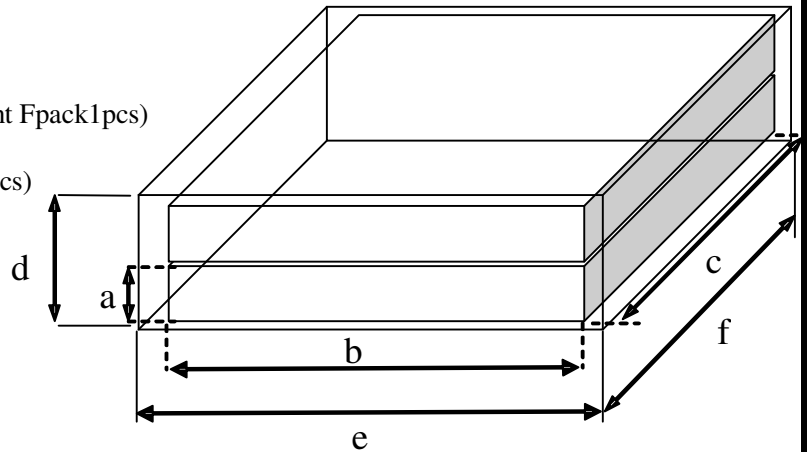
Rmjcp | ac8 | .,1



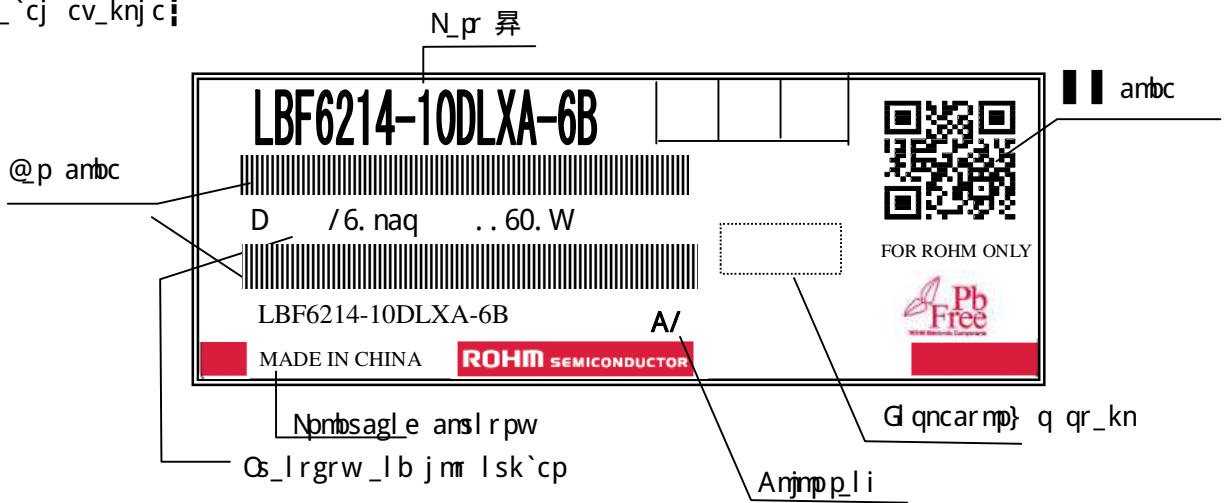
π τ (f) N<sub>ai</sub> gl e

|| N<sub>ai</sub> \_ ec ||

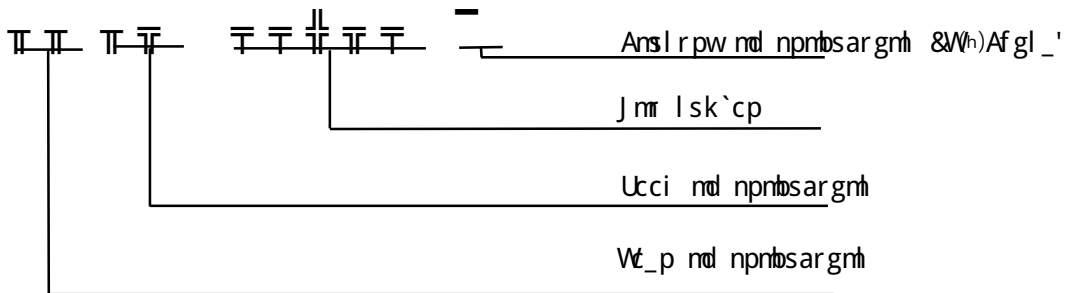
- (1) 18 Bars are on one film tray.
- (2) Inner package size (Fpack10pcs+vacant Fpack1pcs)  
(a)60 x (b)300 x (c)343 (Unit: mm)
- (3) Outer package size(inner package || 2pcs)  
(d)155 x (e)313 x (f)353 (Unit: mm)



|| J \_ `cj cv\_knj c ||



|| J m r l sk`cp cv\_knj c ||



|| K\_l sd\_arspgl e d\_arnpw &ans l rpw n d n p n t s a r g n h ||

(g) PMFK QCKGAMLSARMP AFGL? AM \*J RB, © Af gl \_ ①