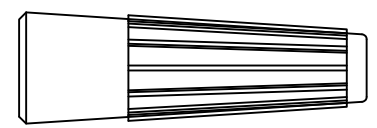
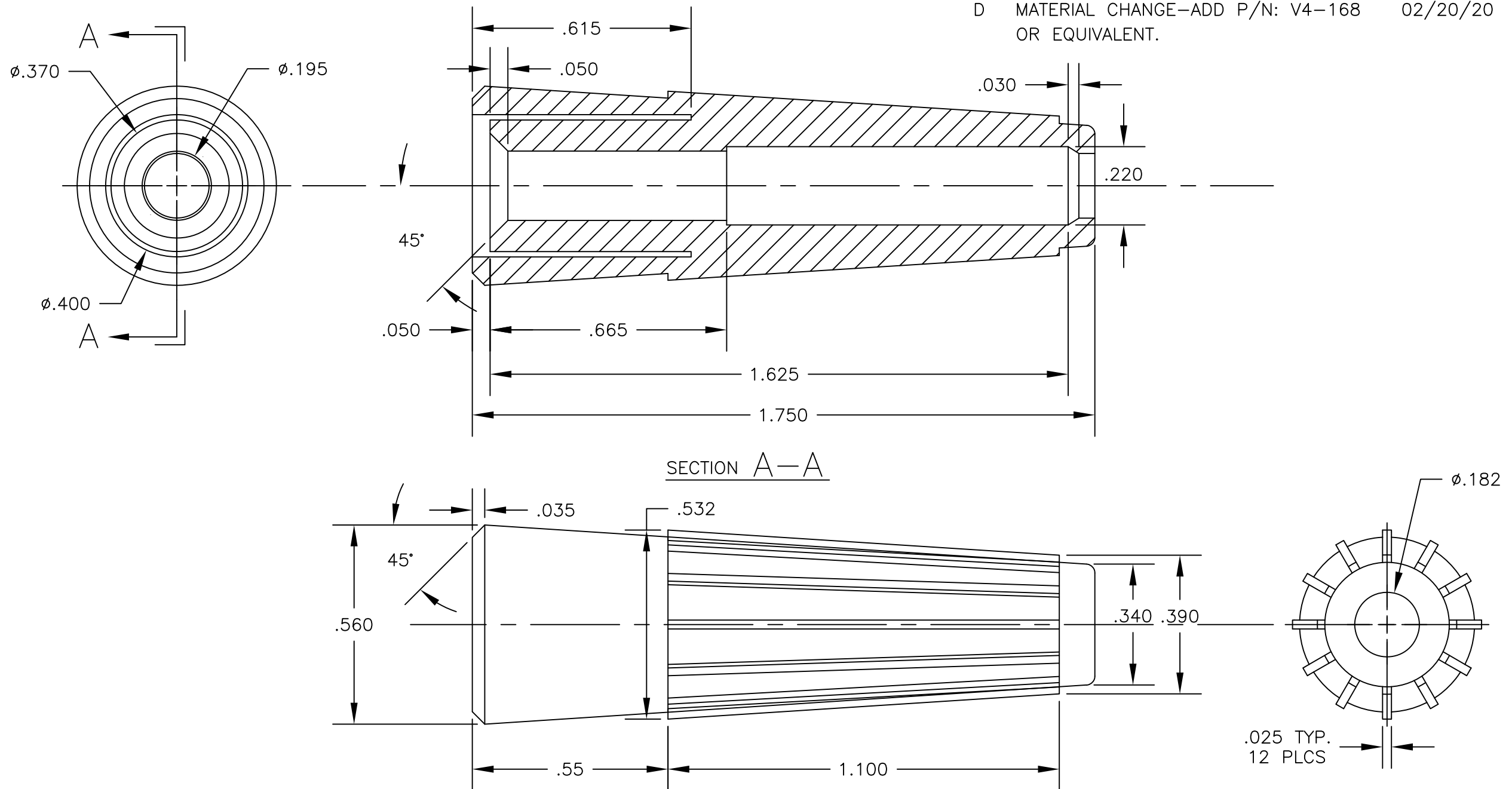


NOTES: UNLESS OTHERWISE SPECIFIED

1. MATERIAL:  
 P/N VO-283: NATURAL NON-CONTAMINATING PVC OR  
 P/N: V4-168: NATURAL NON-CONTAMINATING PVC OR EQUIVALENT  
 YIELDS: 150 PARTS PER LB

2. FINISH: ALL TEN COLORS

REVISIONS			
LTR	DESCRIPTION	DATE	APPROVED
A	RELEASED FOR PRODUCTION	10/30/92	S.B.W.
B	MATERIAL CHANGE WAS P/N V4-220 IS V1-43 NON-CONTAMINATING PVC	2/23/96	S.B.W.
C	MATERIAL CHANGE WAS P/N V1-43 IS VO-283 NON-CONTAMINATING PVC	1/31/11	S.B.W.
D	MATERIAL CHANGE-ADD P/N: V4-168 OR EQUIVALENT.	02/20/20	R.L.



ACTUAL SIZE

		UNLESS OTHERWISE SPECIFIED DIMENSIONS ARE IN INCHES TOLERANCES ARE: FRACTIONS DECIMALS ANGLES $\pm N/A$ $.XX \pm N/A$ $\pm N/A$ $.XXX \pm N/A$		CONTRACT NO.		<b>E-Z-HOOK</b> DIVISION OF TEKTEST INC. ARCADIA, CA 91006 U.S.A.	
		MATERIAL SEE NOTE		APPROVALS DRAWN S.B.W.	DATE 10/92	DESCRIPTION STRAIN RELIEF BOOT	
		FINISH SEE NOTE		APPROVED BY		SIZE B	CODE IDENT NO. 08505
NEXT ASSY	USED ON					DRAWING NO. SR58	REV. D
APPLICATION		DO NOT SCALE DRAWING				SCALE 3:1	SHEET 1 OF 1