

Description: GPSLPMBXX Mounting kit

Series: Accessory

PART NUMBER: LPMB4BRACKETxx

Magnetic Mount

(P/N: LPMB4BRACKETMM)

Adhesive Mount

(P/N: LPMB4BRACKETAM)

Features:

- Material PC
- Color Black
- Magnetic mount and adhesive tape mount options
- Height 1" / 25mm
- RoHS compliant



Applications:

- GPSLPMBxx series antennas
- Jaguar JAG-series antennas
- Mounting without drilling holes
- Elevates antenna by 1"/25mm when mounted on metal surface to enable best RF performance

Finished Appearance:



Issue: 1715

In the effort to improve our products, we reserve the right to make changes judged to be necessary.

CONFIDENTIAL AND PROPRIETARY INFORMATION

This document contains confidential and proprietary information of Pulse Electronics, Inc. (Pulse) and is protected by copyright, trade secret and other state and federal laws. Its receipt or possession does not convey any rights to reproduce, disclose its contents, or to manufacture, use or sell anything it may describe. Reproduction, disclosure or use without specific written authorization of Pulse is strictly forbidden.

For more information:

Pulse Worldwide Headquarters
15255 Innovation Drive #100
San Diego, CA 92128
USA
Tel: 1-858-674-8100

Pulse/Larsen Antennas
18110 SE 34th St Bldg 2 Suite 250
Vancouver, WA 98683
USA
Tel: 1-360-944-7551

Europe Headquarters
Pulse GmbH & Do, KG
Zeppelinstrasse 15
Herrenberg, Germany
Tel: 49 7032 7806 0

Pulse (Suzhou) Wireless Products Co, Inc.
99 Huo Ju Road(#29 Bldg,4th Phase
Suzhou New District
Jiangsu Province, Suzhou 215009 PR China
Tel: 86 512 6807 9998



Description: GPSLPMBXX Mounting kit

Series: Accessory

PART NUMBER: LPMB4BRACKETxx

MECHANICAL SPECIFICATIONS

LPMB4BRACKETMM

Bracket Color/Material	Black / PC
Fixing system	Magnetic mount
Pull Force (in Z direction)	min. 89N (20 lbf)
Side Push Forth (in X/Y direction)	min. 100N (22.5 lbf)
Weight	233g

LPMB4BRACKETAM

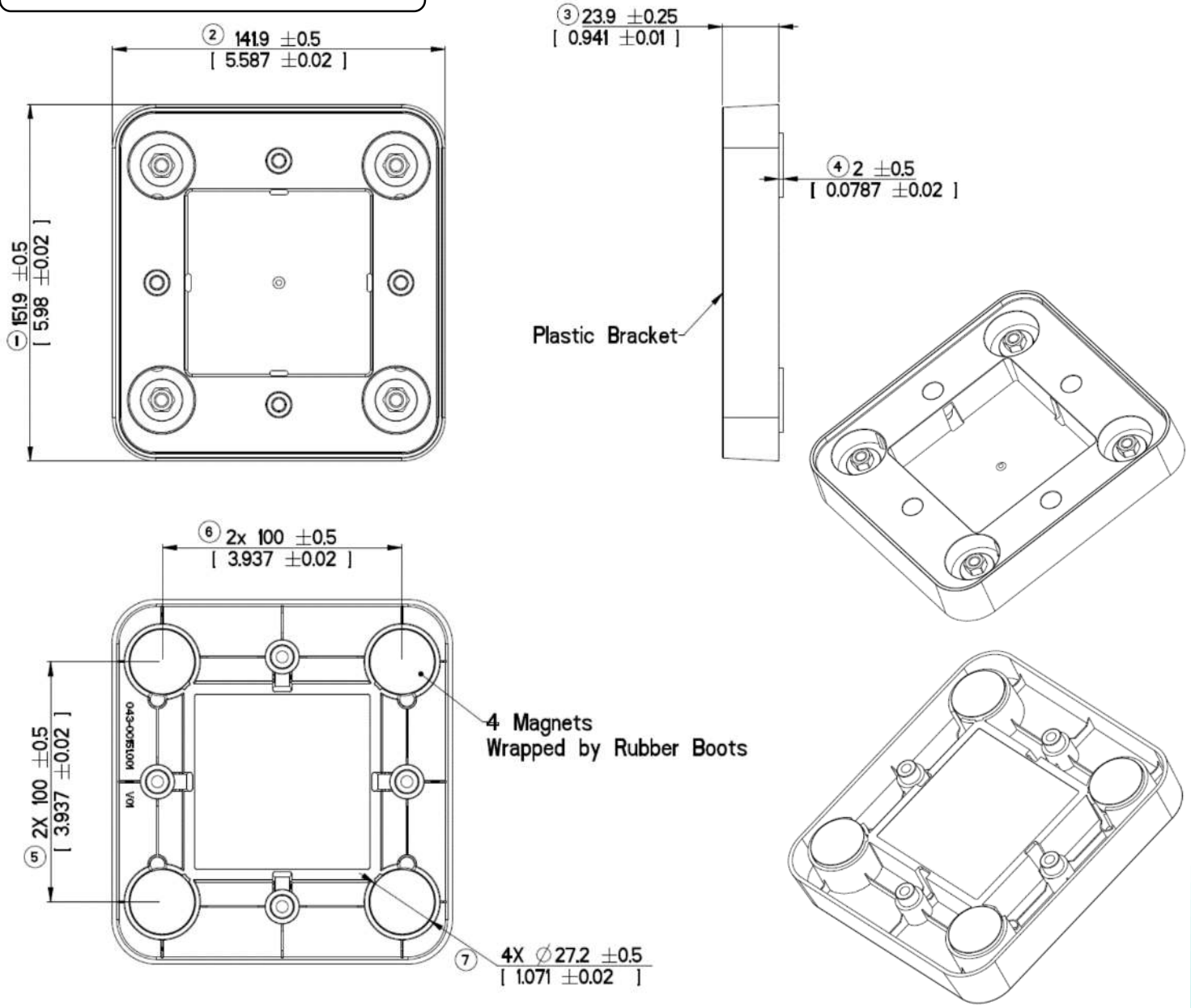
Bracket Color/Material	Black / PC
Fixing system	Adhesive Tape (3mm thick 3MVHB 4959)
Weight	120g

ENVIRONMENTAL SPECIFICATIONS

Operating Temperature	-40 ~ 85° C
Storage Temperature	-40 ~ 85° C
RoHS Compliant	Yes

MECHANICAL DRAWING

LPMB4BRACKETMM



Issue: 1715

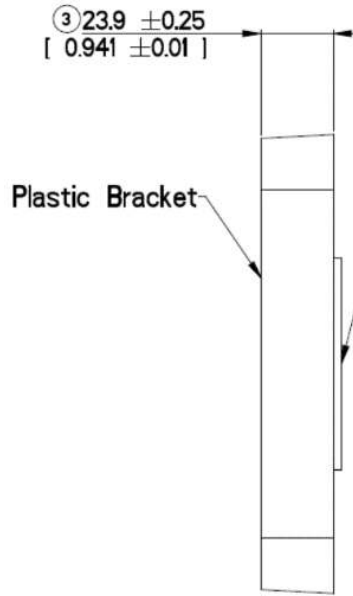
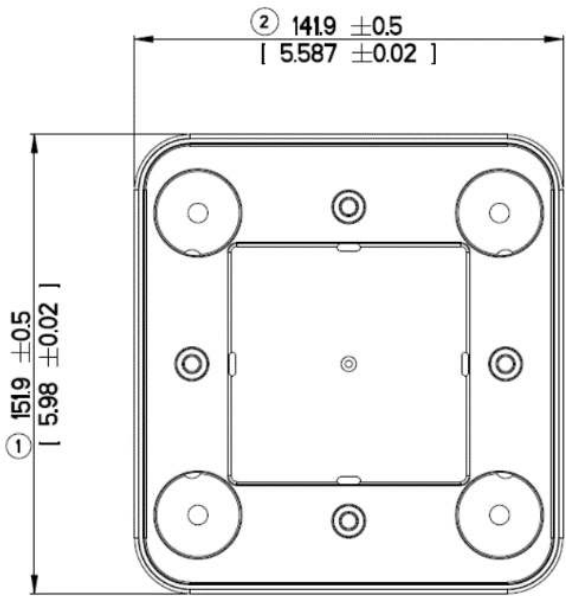
In the effort to improve our products, we reserve the right to make changes judged to be necessary.

CONFIDENTIAL AND PROPRIETARY INFORMATION

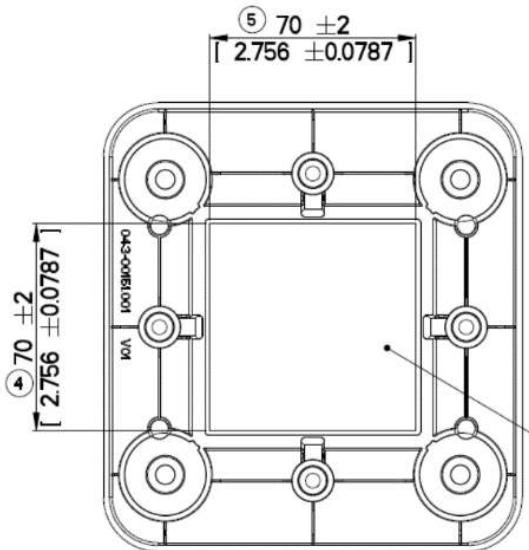
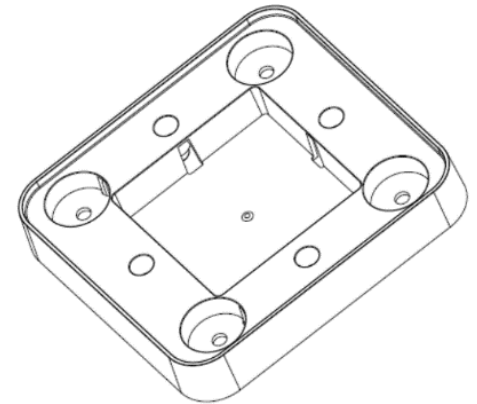
This document contains confidential and proprietary information of Pulse Electronics, Inc. (Pulse) and is protected by copyright, trade secret and other state and federal laws. Its receipt or possession does not convey any rights to reproduce, disclose its contents, or to manufacture, use or sell anything it may describe. Reproduction, disclosure or use without specific written authorization of Pulse is strictly forbidden.

MECHANICAL DRAWING

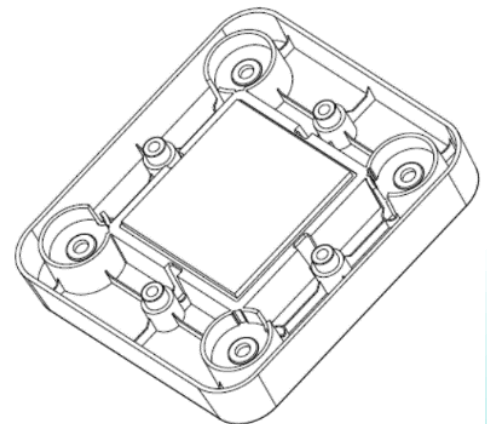
LPMB4BRACKETAM



Adhesive Tape
3mm thick 3M VHB4959



Adhere the adhesive tape in the recession of the bracket



Issue: 1715

In the effort to improve our products, we reserve the right to make changes judged to be necessary.

CONFIDENTIAL AND PROPRIETARY INFORMATION

This document contains confidential and proprietary information of Pulse Electronics, Inc. (Pulse) and is protected by copyright, trade secret and other state and federal laws. Its receipt or possession does not convey any rights to reproduce, disclose its contents, or to manufacture, use or sell anything it may describe. Reproduction, disclosure or use without specific written authorization of Pulse is strictly forbidden.

Description: GPSLPMBXX Mounting kit

Series: Accessory

PART NUMBER: LPMB4BRACKETxx

PACKAGING

LPMB4BRACKETMM:

Each LPMB4BRACKETMM packed in a plastic “Zip” bag,
30 plastic bags of LPMB4BRACKETMM packed in a carton
1 label on each box with qty, part number, date code.

LPMB4BRACKETAM:

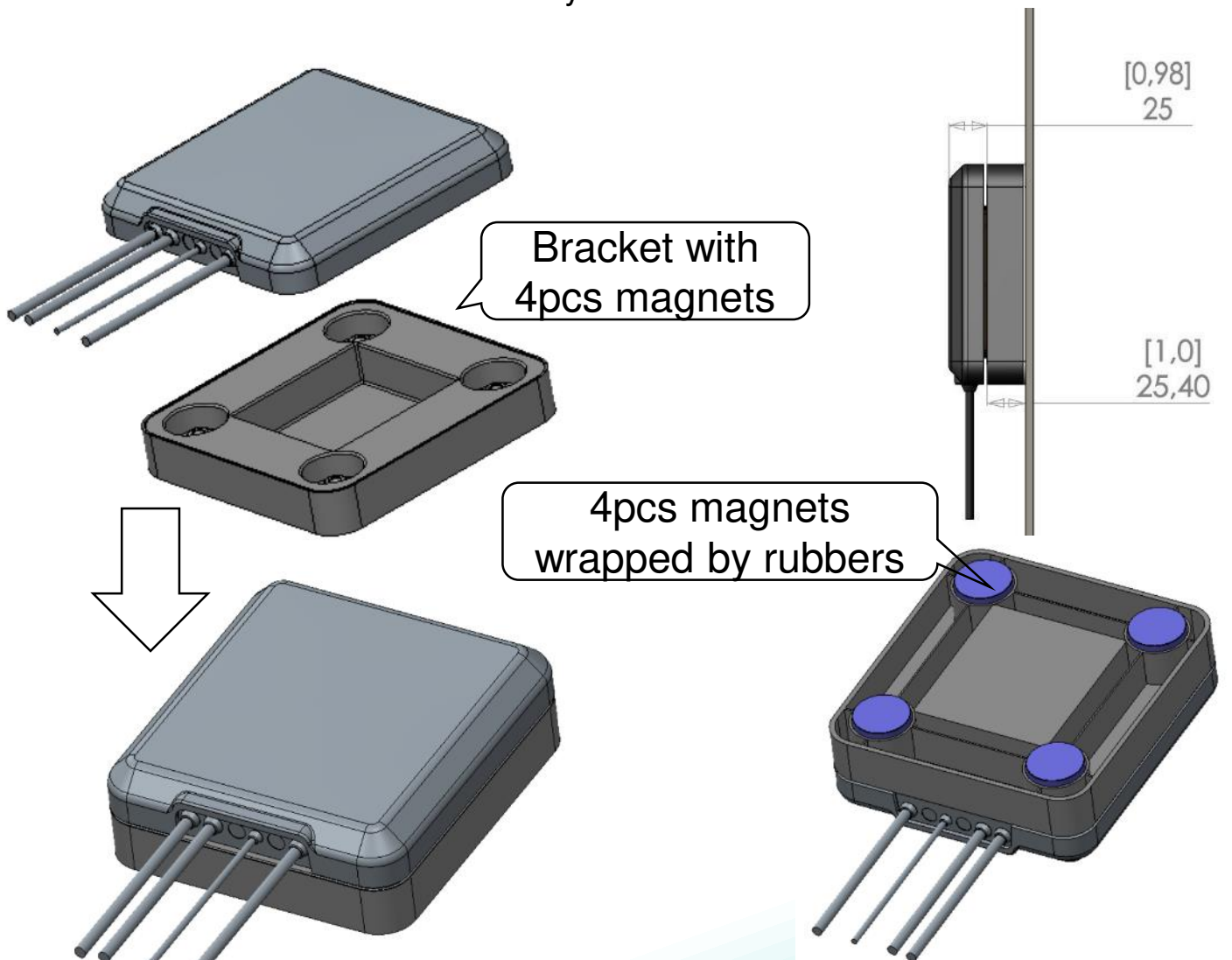
Each LPMB4BRACKETAM packed in a plastic “Zip” bag,
30 plastic bags of LPMB4BRACKETAM packed in a carton
1 label on each box with qty, part number, date code.

Installation Instruction

LPMB4BRACKETMM:

Apply to the surface of the steel/iron metals, a bracket (LPMB4BRACKETMM) is needed to elevate the antenna 1" higher for the optimum RF performance

Firstly, The antenna adhered on a magnetic bracket by the adhesive tape on the antennas. Then the whole assemble could be attached on the steel metals by the magnets, and also could be removed from the metals easily.



Issue: 1.1.15

In the effort to improve our products, we reserve the right to make changes judged to be necessary.

CONFIDENTIAL AND PROPRIETARY INFORMATION

This document contains confidential and proprietary information of Pulse Electronics, Inc. (Pulse) and is protected by copyright, trade secret and other state and federal laws. Its receipt or possession does not convey any rights to reproduce, disclose its contents, or to manufacture, use or sell anything it may describe. Reproduction, disclosure or use without specific written authorization of Pulse is strictly forbidden.

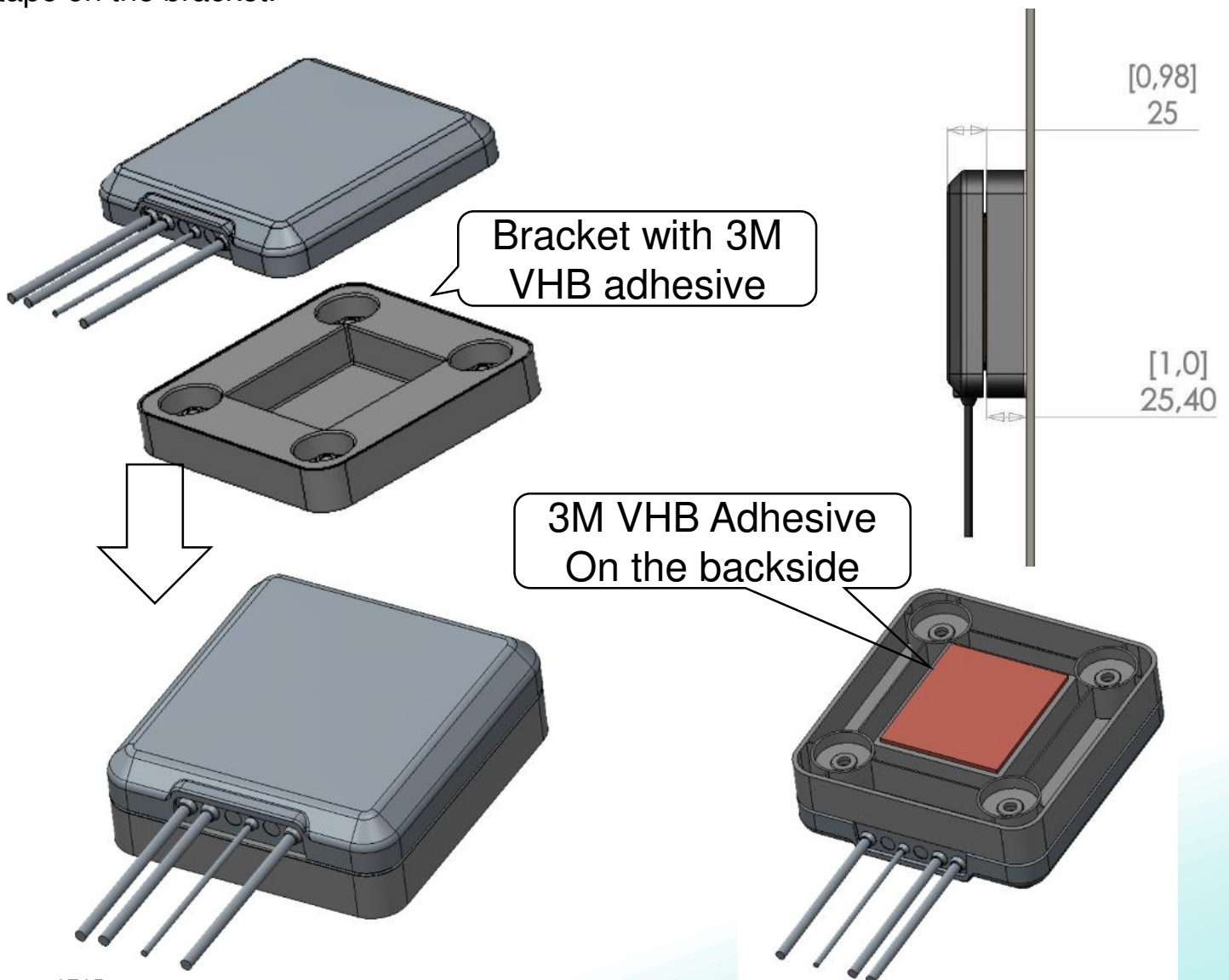
Installation Instruction

LPMB4BRACKETAM:

Apply to the surface of the steel/iron metals, a bracket (LPMB4BRACKETMM) is needed to elevate the antenna 1" higher for the optimum RF performance

Firstly, the antenna adhered on a bracket by the adhesive tape.

Then the whole assemble could be adhered on the aluminum by the 3MVHB adhesive tape on the bracket.



Issue: 1715

In the effort to improve our products, we reserve the right to make changes judged to be necessary.

CONFIDENTIAL AND PROPRIETARY INFORMATION

This document contains confidential and proprietary information of Pulse Electronics, Inc. (Pulse) and is protected by copyright, trade secret and other state and federal laws. Its receipt or possession does not convey any rights to reproduce, disclose its contents, or to manufacture, use or sell anything it may describe. Reproduction, disclosure or use without specific written authorization of Pulse is strictly forbidden.