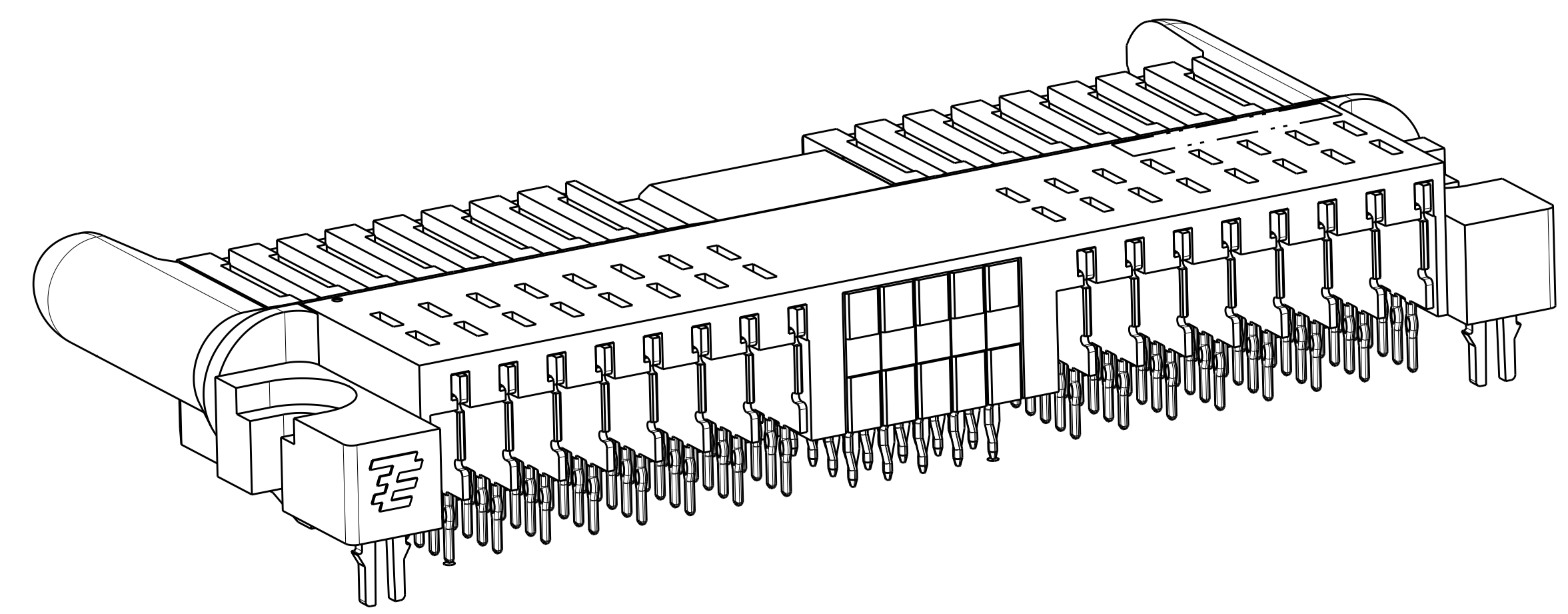
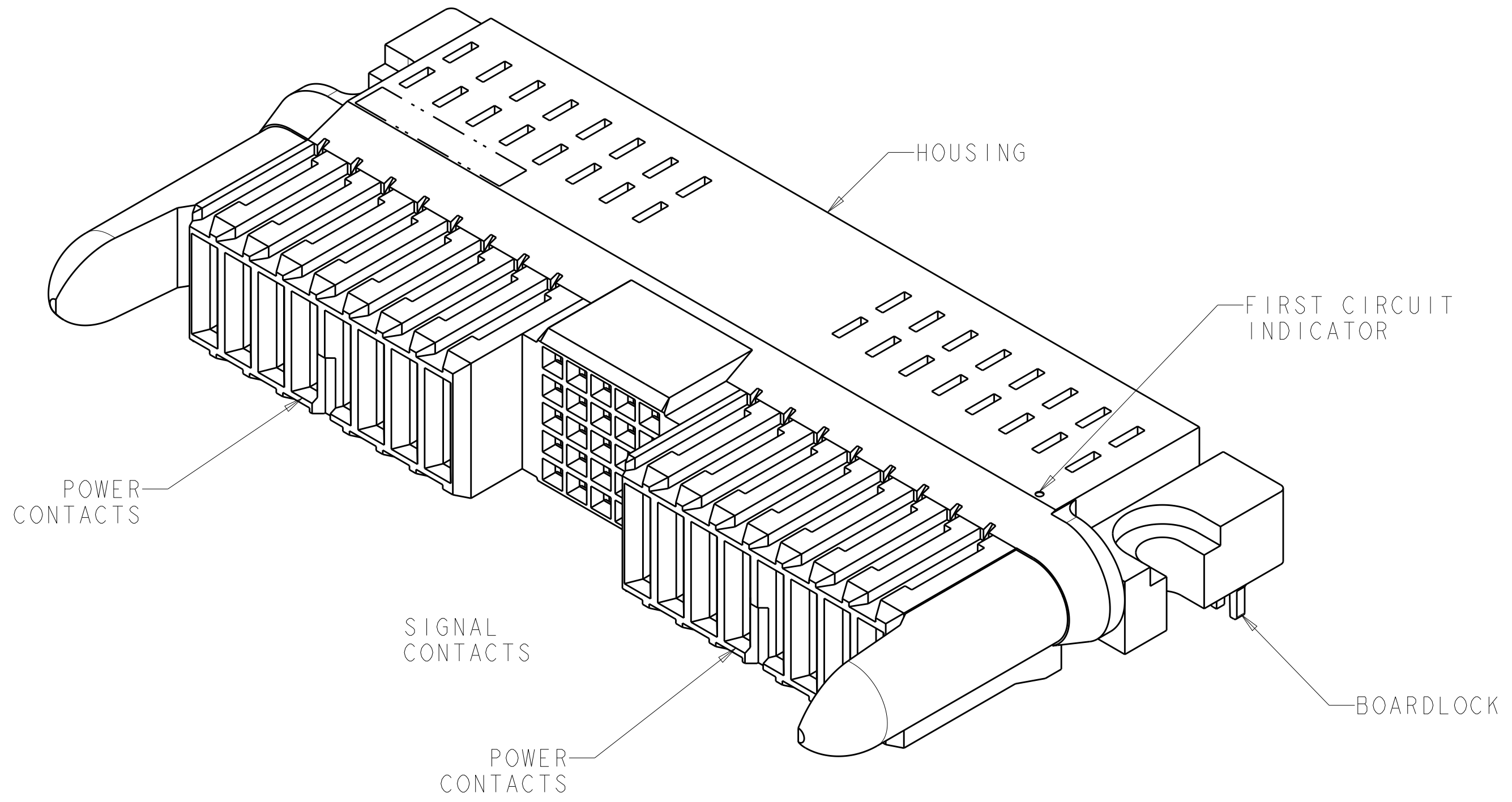


LOC	DIST	REVISIONS			
P	LTN	DESCRIPTION	DATE	OWN	APVD
AA	00	D1 ADD NEW PART	21MAR2013	OL	SZ



**2-1926721-5 SHOWN**

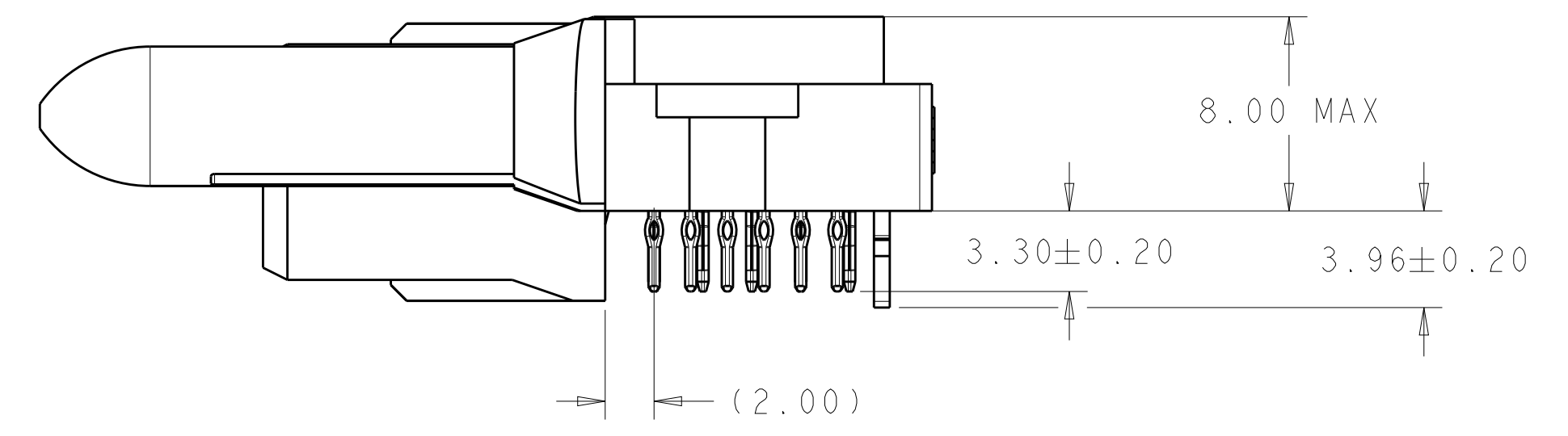
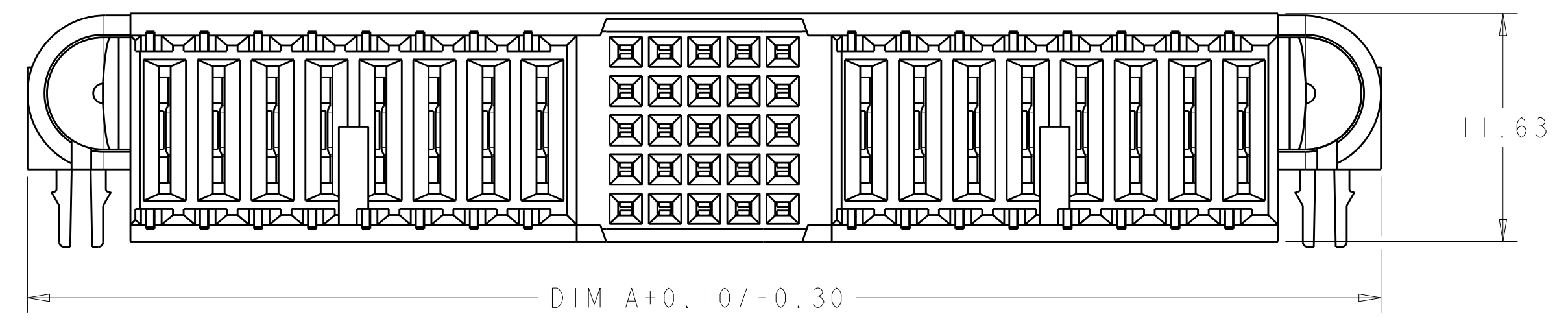
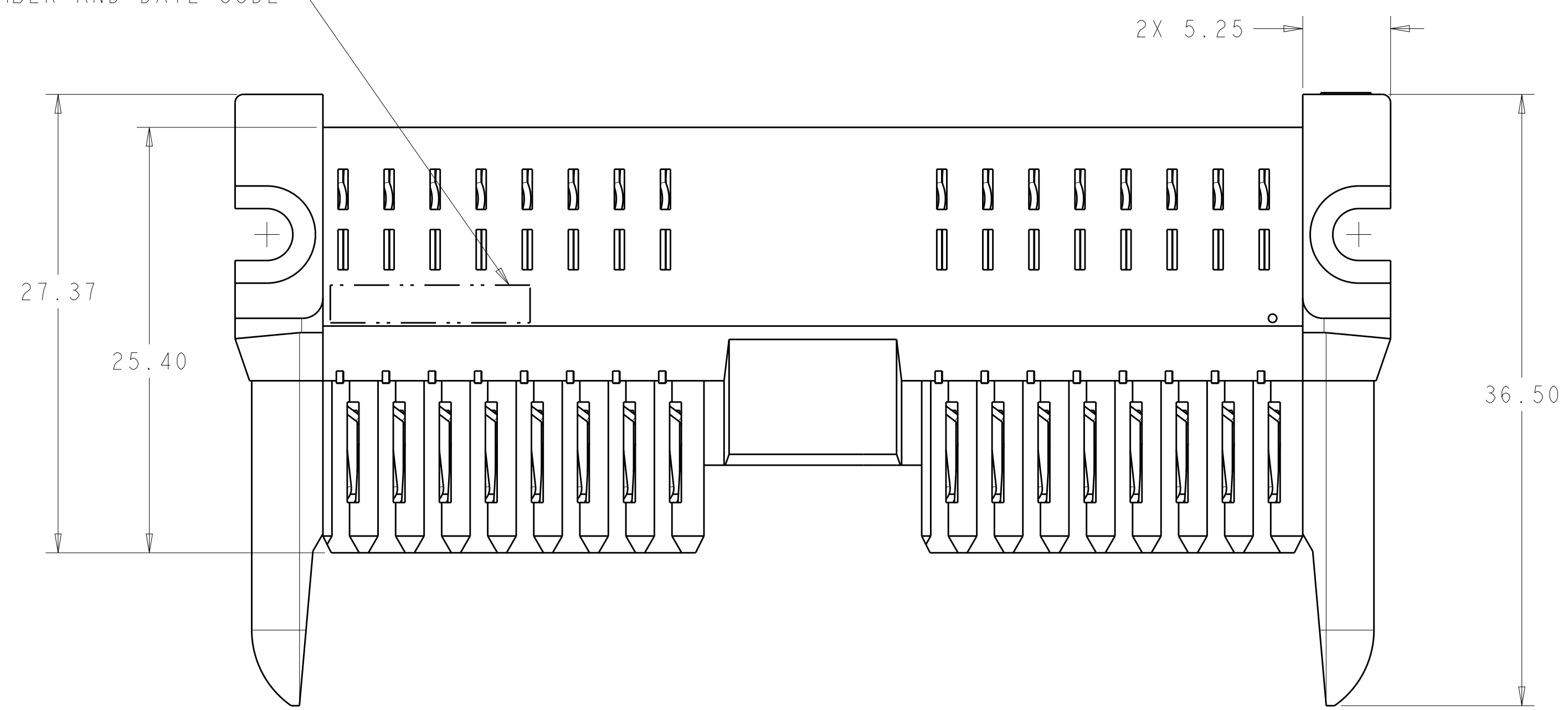
- HOUSING: GLASS FILLED LIQUID CRYSTAL POLYMER, COLOR: BLACK, UL 94 V-0 RATED  
 SIGNAL CONTACT: PHOSPHOR BRONZE  
 SIGNAL OVERMOLD: GLASS FILLED POLYESTER  
 POWER CONTACT: COPPER ALLOY  
 BOARD LOCKS: PHOSPHOR BRONZE
  - SIGNAL CONTACT: 0.00127mm MIN NICKEL ALL OVER,  
 MATING AREA: 0.00076mm MIN GOLD OR 0.00008mm MIN GOLD OVER  
 0.00076mm MIN PALLADIUM-NICKEL  
 TAIL AREA: 0.0005mm MIN MATTE TIN  
 POWER CONTACT: 0.00127mm MIN NICKEL ALL OVER,  
 MATING AREA: 0.00076mm MIN GOLD OR  
 0.00008mm MIN GOLD OVER 0.00076mm MIN PALLADIUM-NICKEL,  
 TAIL AREA: 0.0005mm MIN MATTE TIN  
 BOARD LOCKS: 0.00076mm MIN MATTE TIN OVER 0.00127mm MIN NICKEL.
  - CONTACT MATING AREA LUBRICATED WITH BELLCORE APPROVED LUBRICANT,  
 TECHNICAL REFERENCE: GR-1217-CORE, ISSUE 1, NOVEMBER 1995.
  - THIS CONNECTOR EMPLOYS UL RECOGNIZED Z-PACK 2mm HM SIGNAL CONTACTS
- △ DATUMS AND BASIC DIMENSIONS TO BE ESTABLISHED BY CUSTOMER.  
 △ PC BOARD THICKNESS 1.4mm MIN, FOR WAVE SOLDER PC BOARD THICKNESS 2.62 MAX  
 △ SEE APPLICATION SPEC 114-13215 FOR PLATED THROUGH HOLE INFORMATION  
 8. SEE CUSTOMER DRAWING 1926720 OR 1926722 FOR MATING CONNECTOR  
 △ UNPLATED HOLES

3.875	5.375	60	30	9	5	77.14	82.74	10P X 30S X 10P	3-1926721-3
3.50	5.00	48	25	7	4	63.39	68.99	8P X 25S X 8P	2-1926721-5
4.125	5.625	36	15	5	2	49.64	55.24	6P X 15S X 6P	1-1926721-6
4.125	5.625	12	15	1	2	27.64	33.24	2P X 15S X 2P	1926721-2
DIM H	DIM G	F PLACES	E PLACES	D SPACES	C SPACES	DIM B	DIM A	DESCRIPTION	PART NUMBER

DIMENSIONS: mm 		TOLERANCES UNLESS OTHERWISE SPECIFIED: 0 PLC ± 1 PLC ±0.13 2 PLC ± 3 PLC ± 4 PLC ± ANGLES ±		DIMENSIONS: mm 0 PLC ± 1 PLC ±0.13 2 PLC ± 3 PLC ± 4 PLC ± ANGLES ±		DIMENSIONS: mm 0 PLC ± 1 PLC ±0.13 2 PLC ± 3 PLC ± 4 PLC ± ANGLES ±		DIMENSIONS: mm 0 PLC ± 1 PLC ±0.13 2 PLC ± 3 PLC ± 4 PLC ± ANGLES ±	
MATERIAL: SEE NOTE 1 FINISH: SEE NOTE 2		WEIGHT: - SCALE: 4:1		DIMENSIONS: mm 0 PLC ± 1 PLC ±0.13 2 PLC ± 3 PLC ± 4 PLC ± ANGLES ±		DIMENSIONS: mm 0 PLC ± 1 PLC ±0.13 2 PLC ± 3 PLC ± 4 PLC ± ANGLES ±		DIMENSIONS: mm 0 PLC ± 1 PLC ±0.13 2 PLC ± 3 PLC ± 4 PLC ± ANGLES ±	

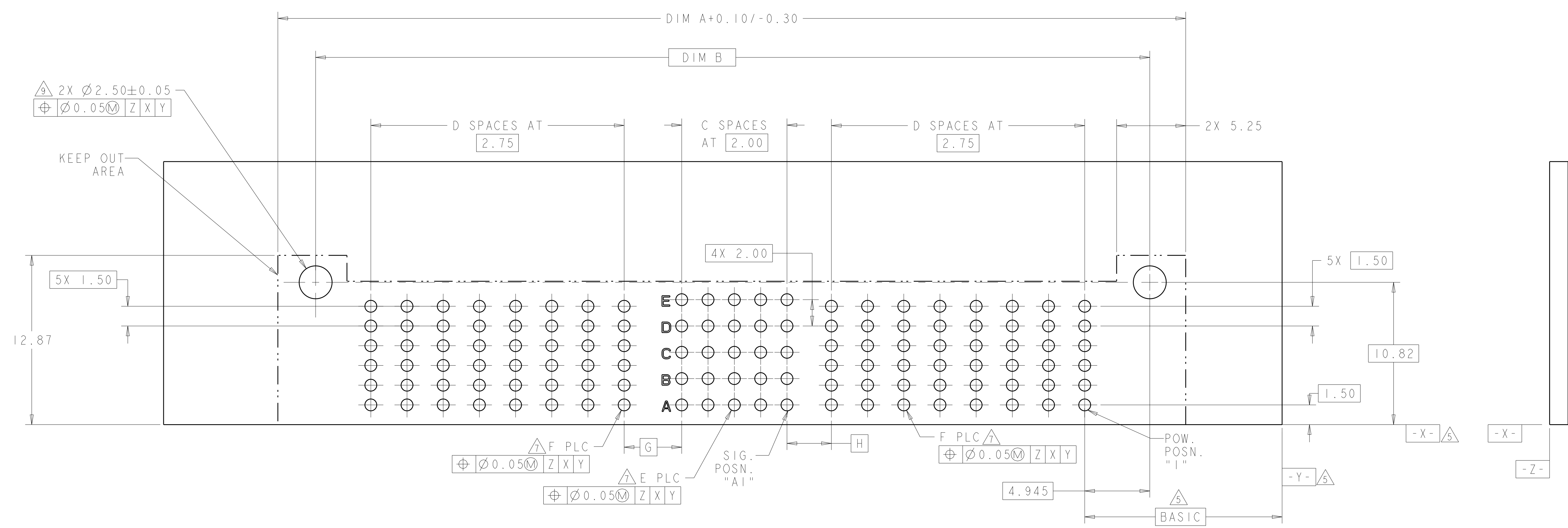
LOC	DIST	REVISIONS			
P	LTN	DESCRIPTION	DATE	DMN	APVD
-	-	SEE SHEET 1	-	-	-

TE PART NUMBER AND DATE CODE



<small>THIS DRAWING IS UNPUBLISHED. IT IS THE PROPERTY OF TYCO ELECTRONICS CORPORATION. IT IS SUBJECT TO CHANGE AND WITHOUT WARRANTY. REVISIONS AND/OR MODIFICATIONS SHALL BE CONTACTED FOR THE LATEST REVISION.</small>		DMN P BRANDBERG 26NOV07 CHK N REESER 26NOV07 APVD N REESER 26NOV07	Tyco Electronics Harrisburg, PA 17105-3608
DIMENSIONS: mm 	TOLERANCES UNLESS OTHERWISE SPECIFIED: 0 PLC ± 1 PLC ±0.13 2 PLC ± 3 PLC ± 4 PLC ± ANGLES ± FINISH SEE NOTE 2	NAME RECEPTACLE ASSEMBLY, RIGHT ANGLE, PASSIVE GUIDE, POWER/SIGNAL/POWER, WITH BOARD LOCKS, MINIPAK HDL PRODUCT SPEC 108-2325 APPLICATION SPEC 114-13215 WEIGHT - Customer Drawing	Tyco Electronics Harrisburg, PA 17105-3608 SIZE CAGE CODE DRAWING NO RESTRICTED TO A 100779 C=1926721 SCALE 4:1 SHEET 2 OF 3 REV D1

LOC	DIST	REVISIONS			
P	LTN	DESCRIPTION	DATE	DMN	APVD
-	-	SEE SHEET 1	-	-	-



**2-1926721-5 SHOWN**  
**RECOMMENDED PRINTED CIRCUIT BOARD LAYOUT**  
 (AS VIEWED FROM COMPONENT SIDE)  
 SCALE 6:1

<small>THIS DRAWING IS UNPUBLISHED. RELEASED FOR PUBLICATION BY TYCO ELECTRONICS CORPORATION. ALL RIGHTS RESERVED.</small>		DWN P BRANDBERG 26NOV07 CHK N REESER 26NOV07 APVD N REESER 26NOV07	Tyco Electronics Harrisburg, PA 17105-3608
DIMENSIONS: mm 	TOLERANCES UNLESS OTHERWISE SPECIFIED: 0 PLC ± 1 PLC ±0.13 2 PLC ± 3 PLC ± 4 PLC ± ANGLES ±	NAME RECEPTACLE ASSEMBLY, RIGHT ANGLE, PASSIVE GUIDE, POWER/SIGNAL/POWER, WITH BOARD LOCKS, MINIPAK HDL PRODUCT SPEC 108-2325 APPLICATION SPEC 114-13215 WEIGHT -	SIZE CAGE CODE DRAWING NO RESTRICTED TO A 100779 C=1926721 -
MATERIAL SEE NOTE 1 FINISH SEE NOTE 2	CUSTOMER DRAWING	SCALE 4:1 SHEET 3 OF 3 REV D	DATE