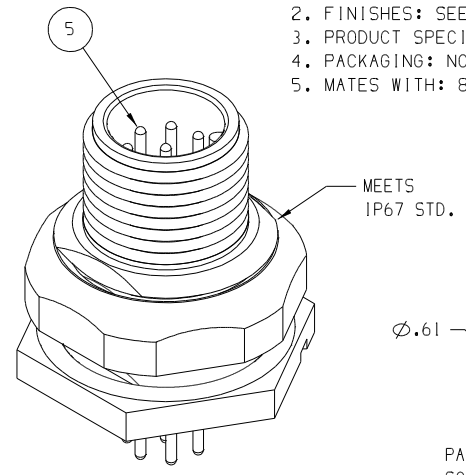


NOTCH SLOT 1/16 x 1/32 x 15° RUN OUT (VISUAL/TACTILE KEY ALIGNMENT MANUFACTURING AID)

- NOTES:
1. MATERIAL: SEE TABLE
 2. FINISHES: SEE TABLE
 3. PRODUCT SPECIFICATION: NOT REQUIRED
 4. PACKAGING: NOT REQUIRED
 5. MATES WITH: 8/C MICRO-C, MALE, M12



PANEL CUTOUT SCALE: 1:1

REF. DRAWING WAS SD-SK-04-027

ITEM	QTY	DESCRIPTION	MATERIAL	FINISH
5	8	CONTACT, MALE, PCB, MED.	BRASS	GOLD PLATED
4	1	O-RING SEAL	BUNA-N	BLACK
3	1	RECEPTACLE PANEL LOCK NUT	BRASS	BRIGHT NI PLATE
2	1	RECEPTACLE SHELL	BRASS	BRIGHT-NI PLATE
1	1	INSULATOR, MALE, 8/C, DC KEY	NYLON	BLACK

PROJECT NO. 04-027	I	.
DIMENSIONS:	SHT	REV
<input type="checkbox"/> mm <input type="checkbox"/> INCH	<input type="checkbox"/> mm ONLY	REVISE ON CAD ONLY

EC NO. ECO 11667 DRWN: CY 09-07-05 CH: K1 APPR:	QUALITY SYMBOLS MAJOR CRITICAL	GENERAL TOLERANCES: (UNLESS SPECIFIED)	SCALE 3:1 DESIGN UNITS <input type="checkbox"/> mm <input checked="" type="checkbox"/> INCH	THIRD ANGLE PROJECTION	
	4 PLACES 3 PLACES 2 PLACES 1 PLACE	mm INCH ±.0015 ±.005 ±.038 ±.01 ±.3 ±.01	DRAWN BY & DATE L.ROTHAUS 8-26-03 CHECKED BY & DATE R.KEMP 11-07-03 APPROVED BY & DATE P.WALTZ 11-07-03	TITLE: RECEPTACLE ASSY, MALE, PANEL/PCB MTG. 6mm LONG, M12, 8/C, DC KEY	MOLEX INCORPORATED
	ANGULAR: ±2°	DRAFT WHERE APPLICABLE MUST REMAIN WITHIN DIMENSIONS	CAD FILENAME SD-84907-001	MATERIAL NO. 849070077	DRAWING NO. SD-84907-001
	THIS DRAWING CONTAINS INFORMATION THAT IS PROPRIETARY TO MOLEX INCORPORATED AND SHOULD NOT BE USED WITHOUT WRITTEN PERMISSION.	SHEET NO. 1 OF 1	SIZE B		