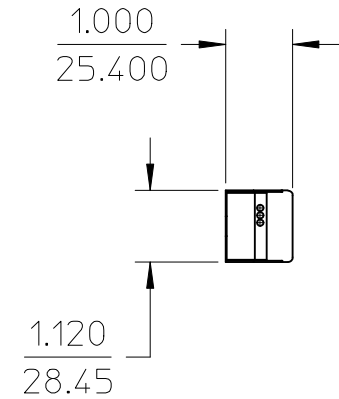
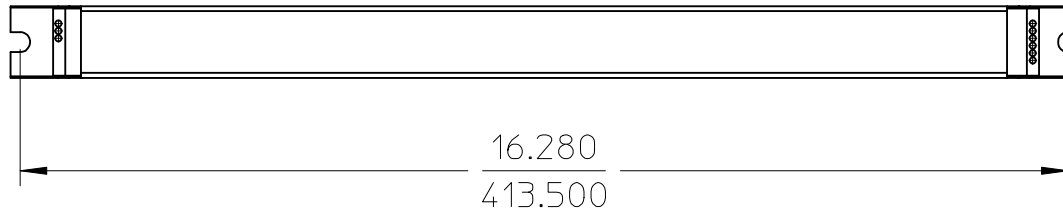
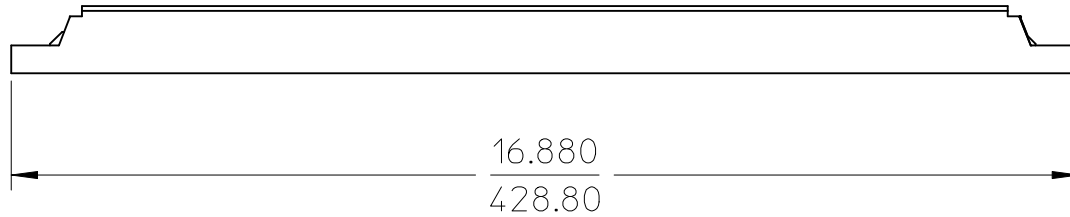
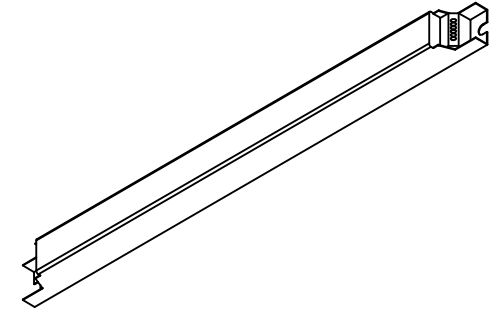


SPECIFICATIONS:

LINE VOLTAGE: 120 - 277 VAC, 50/60Hz
 PROGRAMMED RAPID START
 ELECTRONIC CIRCUITRY
 MINIMUM STARTING TEMPERATURE: -20 C



REPLACEMENT BALLAST

EC NO: WNA2009-0494
 DRWN:MKOCHANSKI 2009/02/05
 CHKD:DTITUS
 APPR:DTITUS 2009/02/06

REV	DESCRIPTION
1	

QUALITY SYMBOLS		
	=0	
	=0	

GENERAL TOLERANCES (UNLESS SPECIFIED)		
	mm	INCH
4 PLACES	± .005	± .0004
3 PLACES	± .005	± .0004
2 PLACES	± .005	± .0004
1 PLACE	± .005	± .0004
ANGULAR ±1/2°		
DRAFT WHERE APPLICABLE MUST REMAIN WITHIN DIMENSIONS		

DIMENSION STYLE	
IN/MM	
DRAWN BY	DATE
MRK	2009/02/05
CHECKED BY	DATE
DTITUS	2009/02/05
APPROVED BY	DATE
MATERIAL NO.	1301900058

SCALE	DESIGN UNITS	THIRD ANGLE PROJECTION	
1:3	INCH		
TITLE			
ZONE 2 REPLACEMENT 55W BALLAST			
MOLEX INCORPORATED			
DOCUMENT NO.		SHEET NO.	
SD-130190-001		1 OF 1	