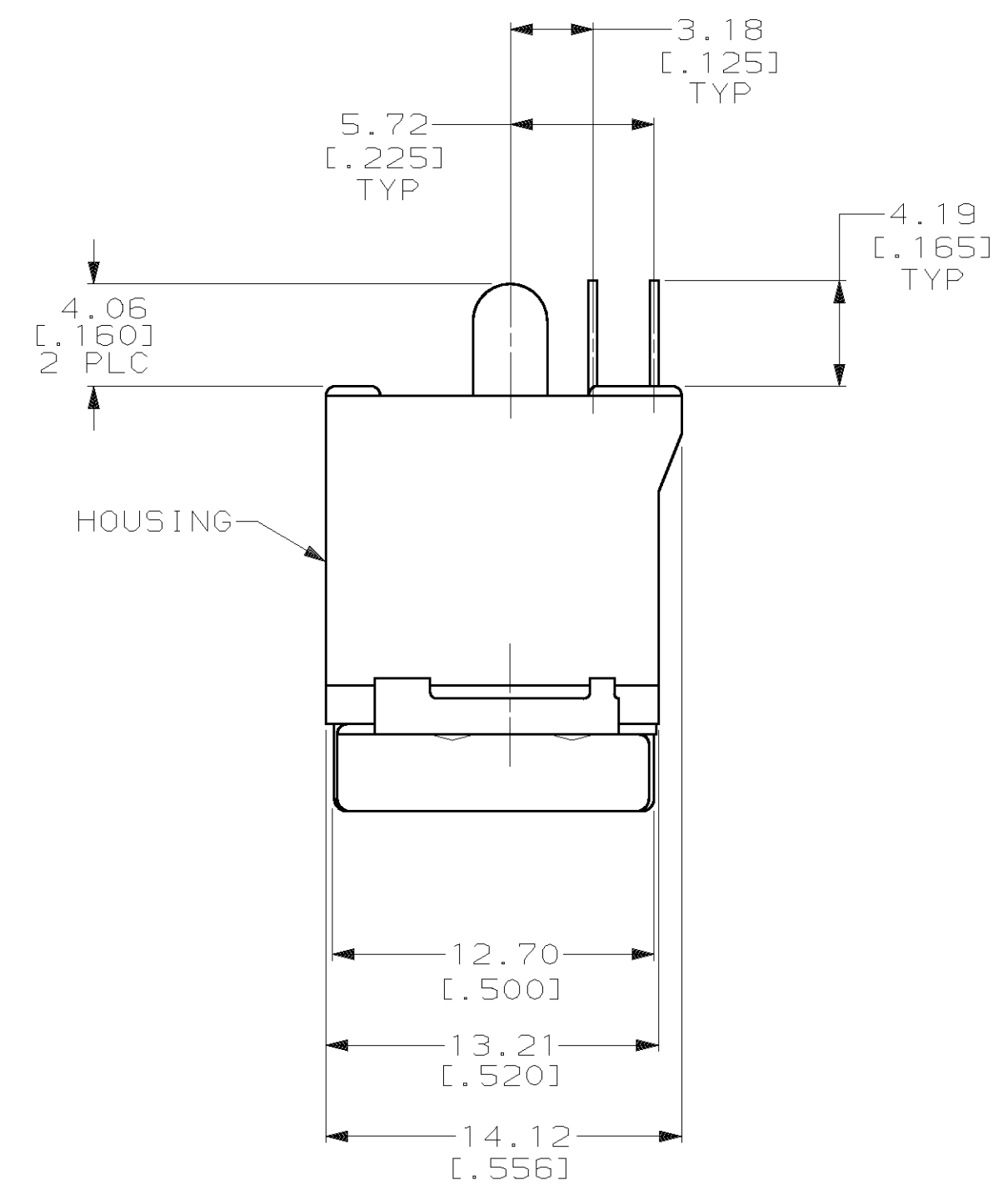
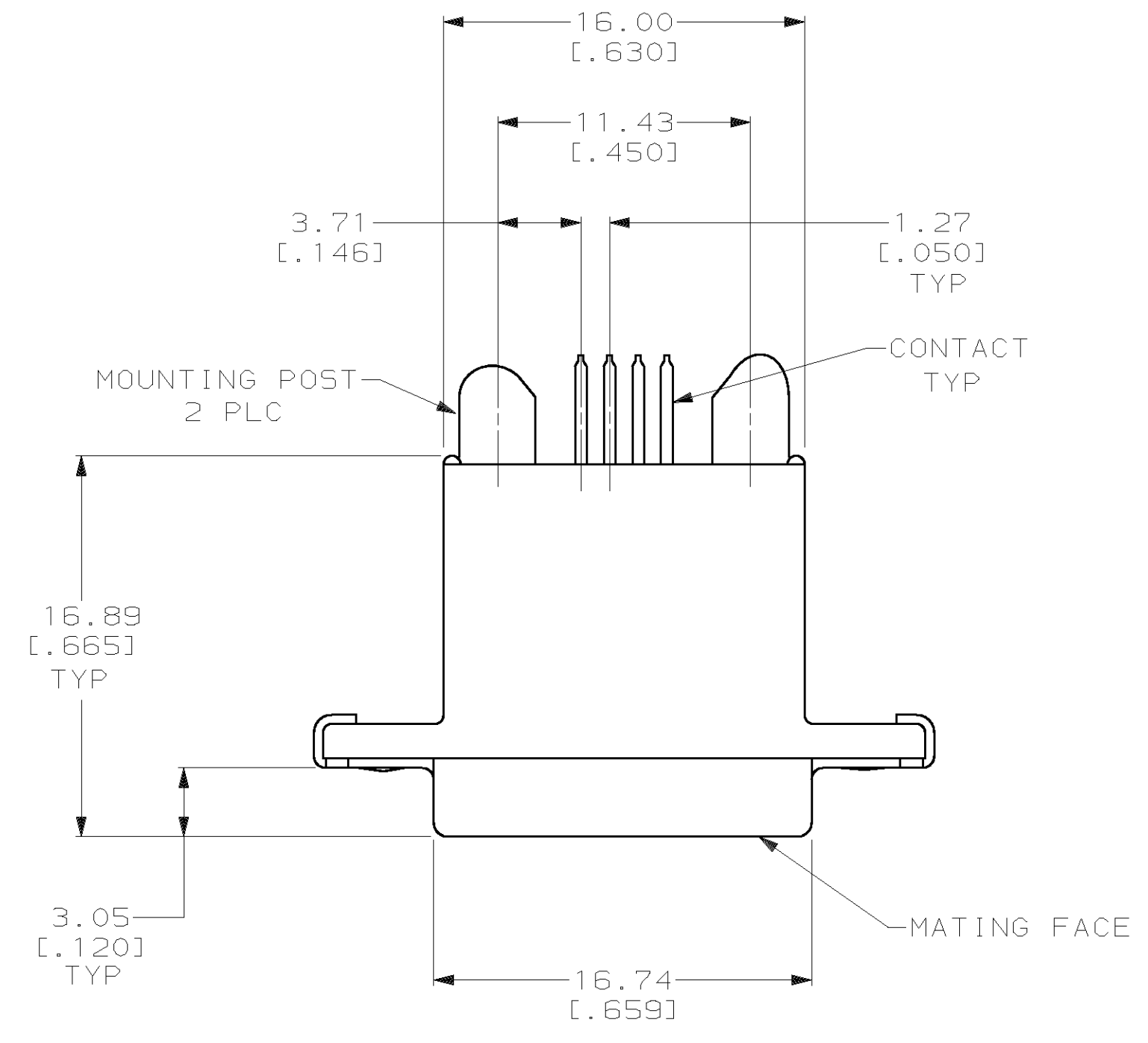
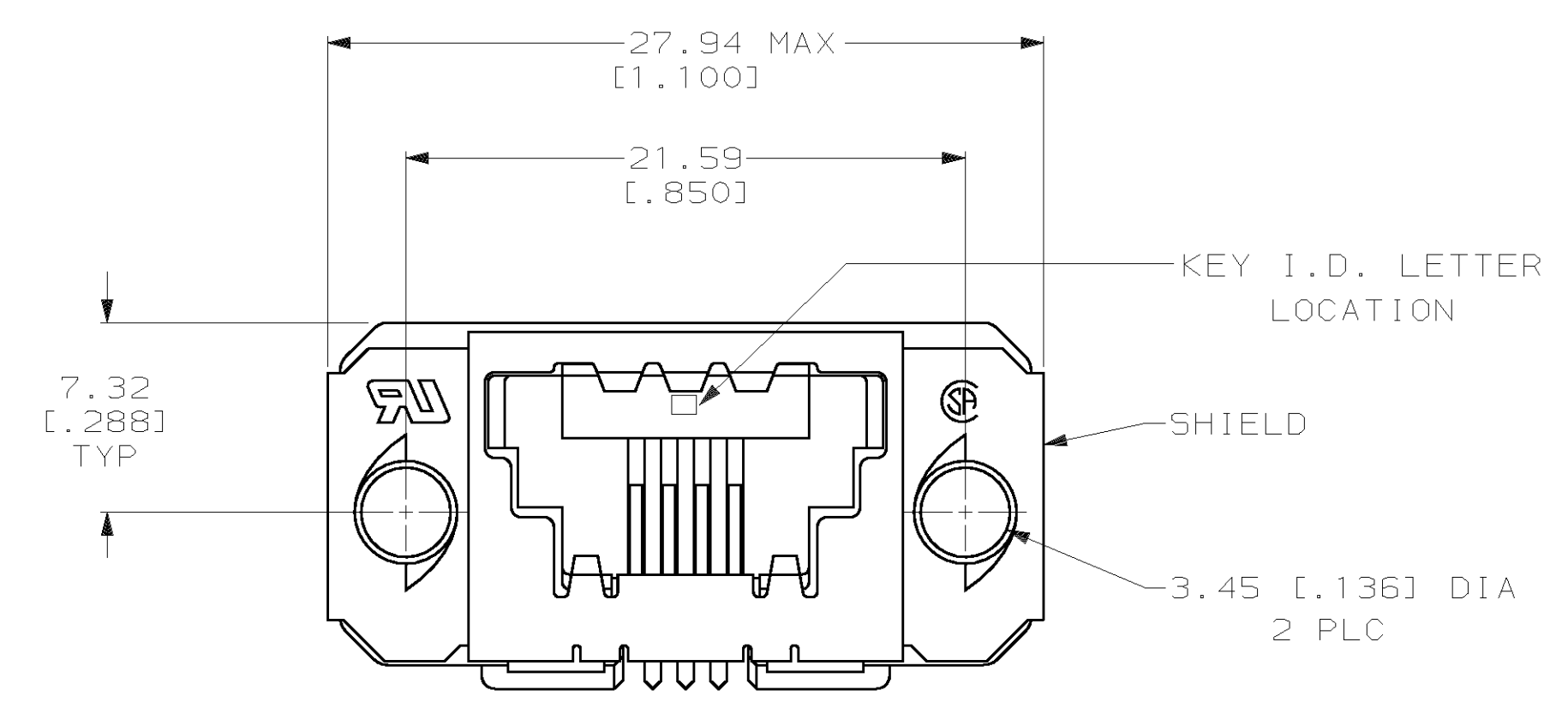


LOC	DIST	P	F	ZONE	LTR	DESCRIPTION	DATE	APPD
BD	50					0 RLSE NPR 4509, WAS 89-1001-4-1	12/23/92	-
						REV PER EC 0020-13-93		
						A REV PER EC 0020-1350-94	01/09/95	SM
						B PER EC 0640-180-98	07 APR 99	JS



- PREFIX AND SUFFIX NUMBERS MUST MATCH THOSE ON PLUG ASSEMBLY FOR PARTS TO MATE.
- POLYESTER, FLAME RETARDANT, UL 94V-0 RATED, GLASS FILLED, BLACK.
- 0.76µm [.000030] MIN TIN-LEAD OVER 2.54µm [.000100] MIN COPPER.
- 1.27µm [.000050] MIN GOLD ON MATING SURFACE FOR A LENGTH OF 2.54 [.100] MIN, 3.81µm [.000150] MIN TIN-LEAD ON OPPOSITE END FOR A LENGTH OF 3.81 [.150] MIN, BOTH OVER 1.27µm [.000050] MIN NICKEL ON ENTIRE CONTACT.



THIS DRAWING IS A CONTROLLED DOCUMENT FOR AMP INCORPORATED. IT IS SUBJECT TO CHANGE AND THE CONTROLLING ENGINEERING ORGANIZATION SHOULD BE CONTACTED FOR THE LATEST REVISION.

DO NOT SCALE PRINT. UNLESS SPECIFIED DIMENSIONS IN mm [INCHES]		DR 12/23/92 C.OBERMAN		D 4-943213-1	
TOLERANCES ON: 2 PLC DEC ± 0.38 [.015] 3 PLC DEC ± - ANGLES ± -		CHK 12-23-92 W.LENKER		KEY I.D. LETTER	
MATERIAL HOUSING: SHIELD: BRASS CONTACT: PHOSPHOR BRONZE FINISH		APPD 12-23-92 J.PRITULSKY		PART NO	
SHIELD: CONTACT:		APPD 12-23-92 C.HAMMAKER		AMP Incorporated Harrisburg, PA 17105-3508	
PRODUCT SPEC 108-2047		APPLICATION SPEC 114-2081		NAME	
WEIGHT -		SCALE 4:1		RECEPTACLE ASSEMBLY, 4 POSN, TOP ENTRY, FOR .093 PC BOARD, SDL	
SIZE D		CAGE CODE 00779		DRAWING NO C-943213	
SHEET 1 OF 1		CUSTOMER DRAWING			