

6

5

4

3

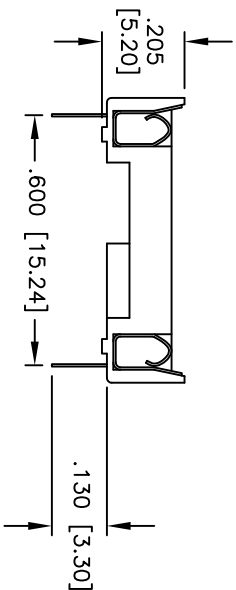
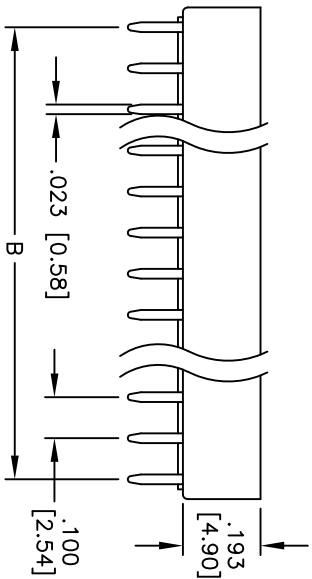
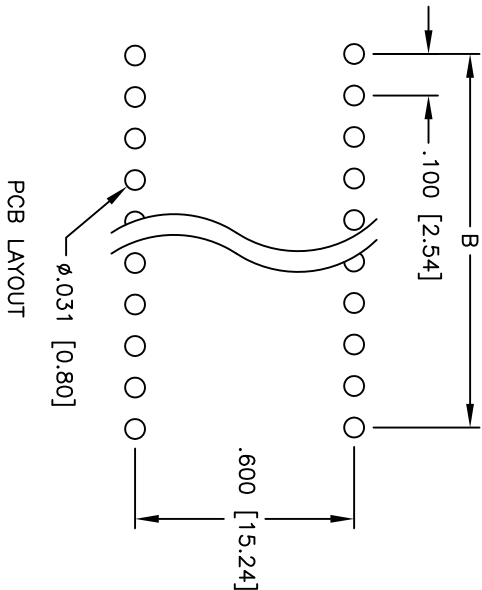
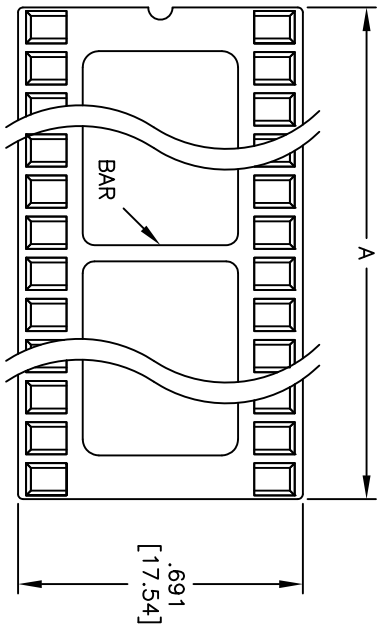
2

1

APPROVED: \_\_\_\_\_

DATE: \_\_\_\_\_ TITLE: \_\_\_\_\_

Rev	AWO #	Description	Date	Appr
-		RELEASED	3/29/05	
A		UPDATED	12/10/07	
B		ADDED CENTER BAR	3/9/10	



**SPECIFICATIONS:**

**Material:**

Insulator: PBT, Glass reinforced, rated UL 94V-0

Insulator color: Black

Contacts: Phosphor Bronze

**Plating:**

Tin over Copper underplate overall

**Electrical:**

Operating voltage: 250 VAC max

Current rating: 1 Amp max

Contact resistance: 20 mohms max initial

Insulation resistance: 5,000 Mohms min

Dielectric withstanding voltage: 1,000 VAC for 1 minute

**Temperature Rating:**

Operating temperature: -55°C to +105°C

**Environmental:**

Lead free, RoHS compliant

Positions: 20, 24, 26, 28, 32, 40, 42, & 48  
 A = .100 [2.54] x No. of Positions Per Row  
 B = .100 [2.54] x No. of Spaces Per Row

UNLESS OTHERWISE SPECIFIED  
 ALL DIMENSIONS ARE INCHES [MM]  
 TOLERANCES: EXCEPT AS NOTED  
 INCHES HOLE SIZE  
 .X ± .10 ØXX ± .10  
 .XX ± .020 ØXXX ± .015  
 .XXX ± .015 ØXXXX ± .010

**ADAM TECH**  
 909 Rahway Avenue, Union, NJ 07083  
 Phone: 908-687-5000 Fax: 908-687-5710

TITLE: IC SOCKET, .600" ROW SPACING  
 TIN PLATED

DRAWN	SS	3/29/05
CHECKED		
APPROVED		

SIZE	PART NO.	REV.
X	ICS-6XX-T	B
REF:	SCALE: NTS	SHEET 1 OF 1



A

B

C

D

A

B

C

D

6

5

4

3

2

1