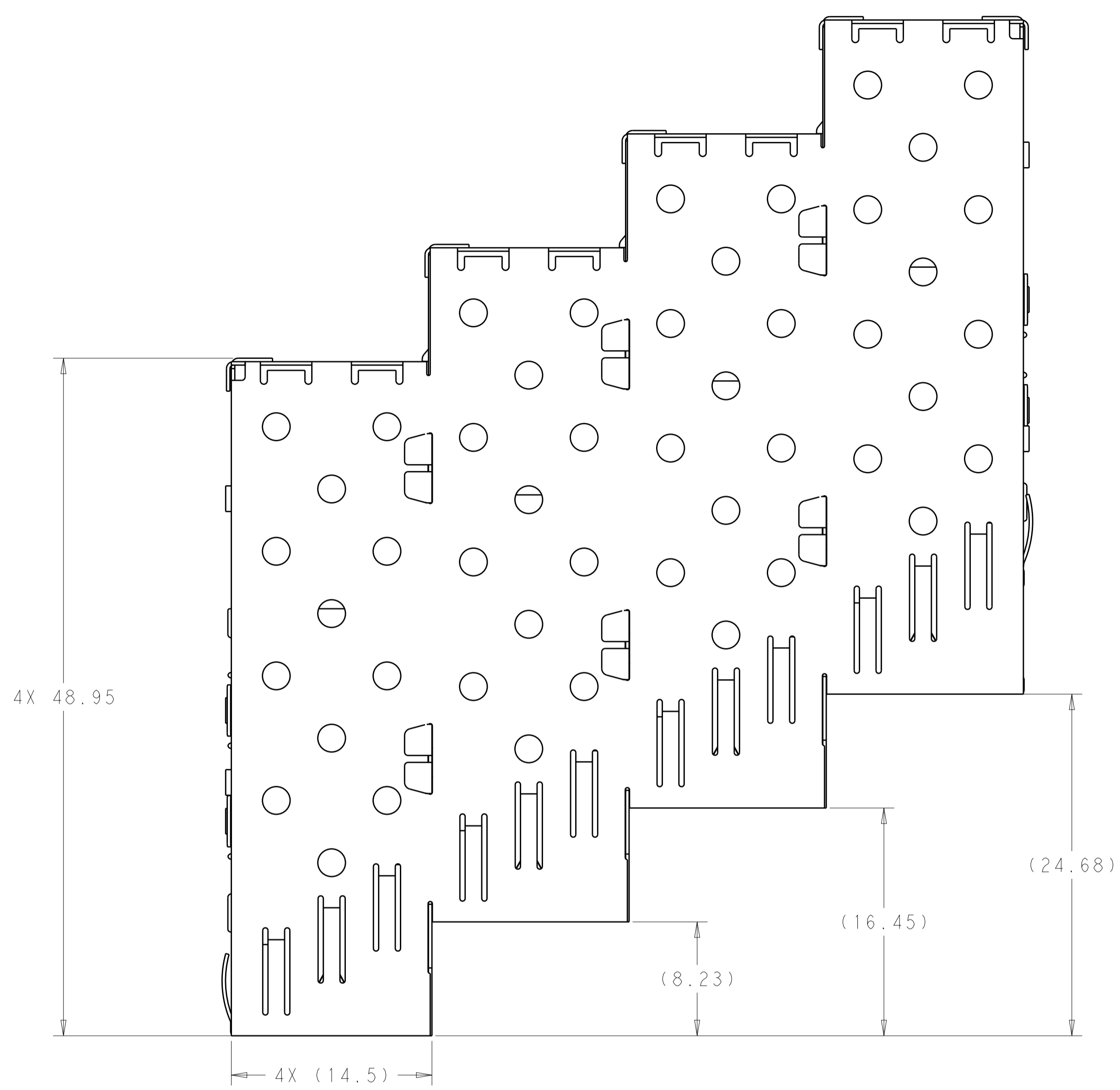
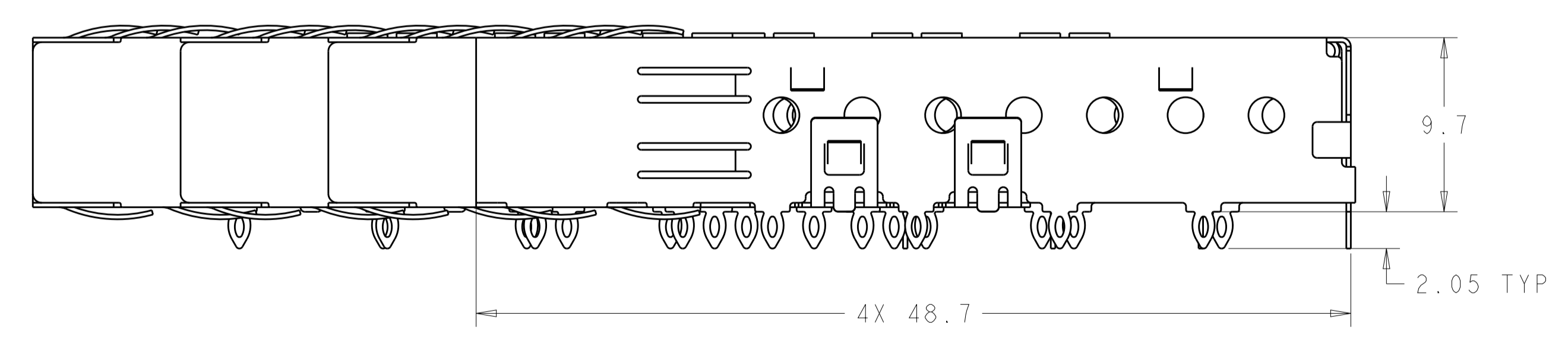
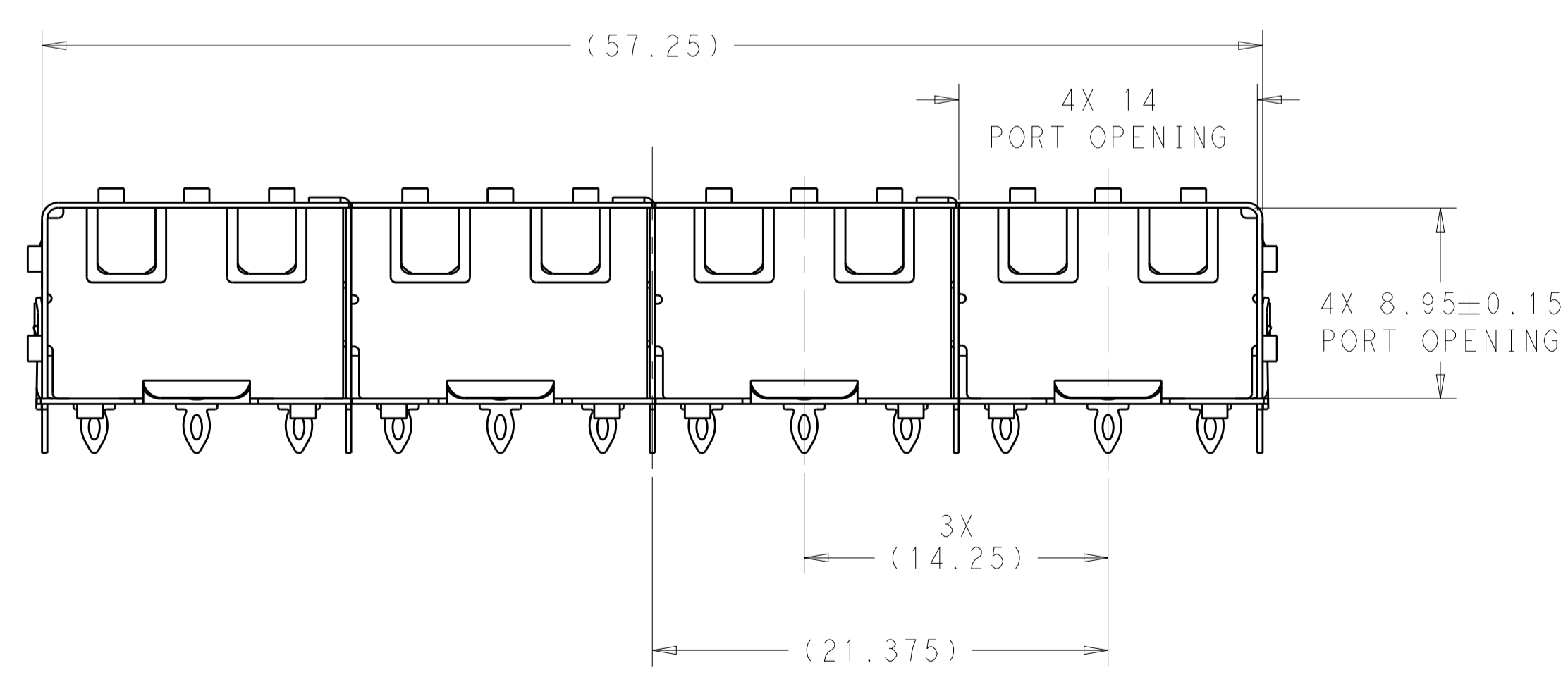
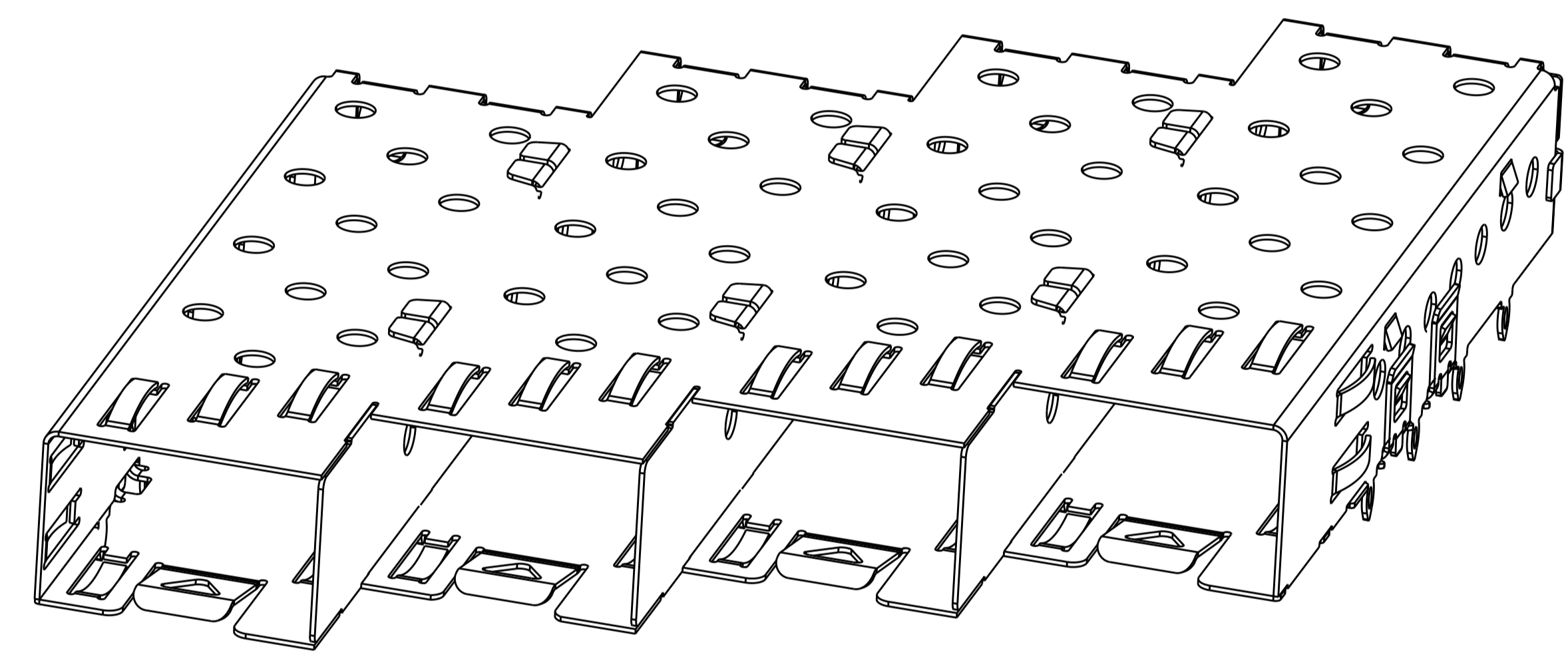


LOC		DIST		REVISONS			
P	LTN	DESCRIPTION	DATE	DWN	APVD		
A		RELEASED	25FEB2016	JW	SH		



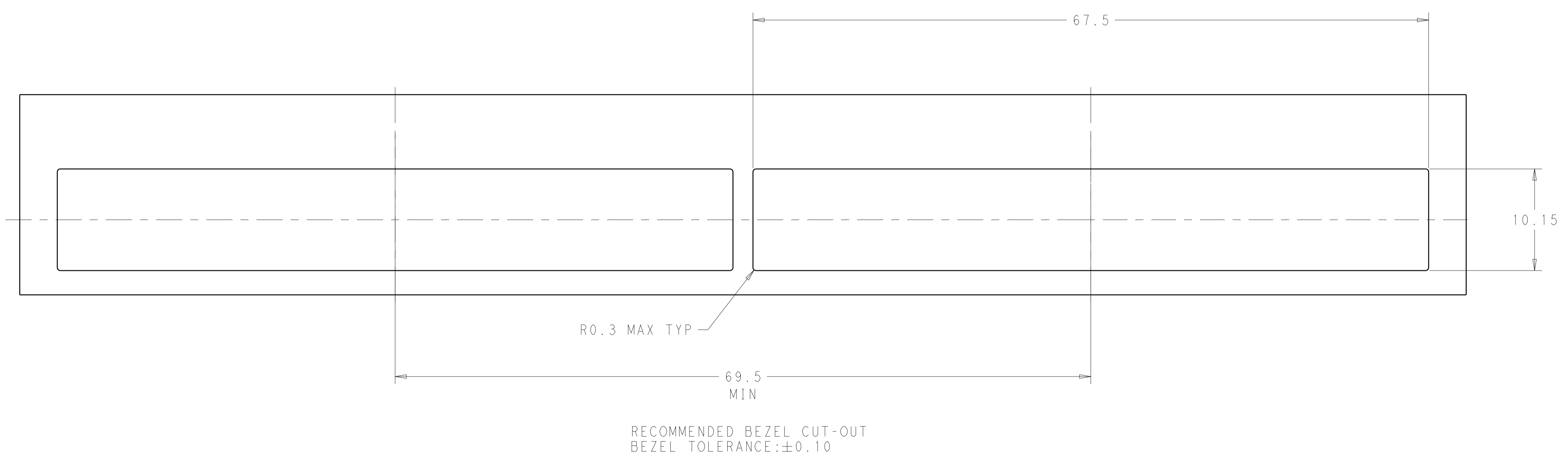
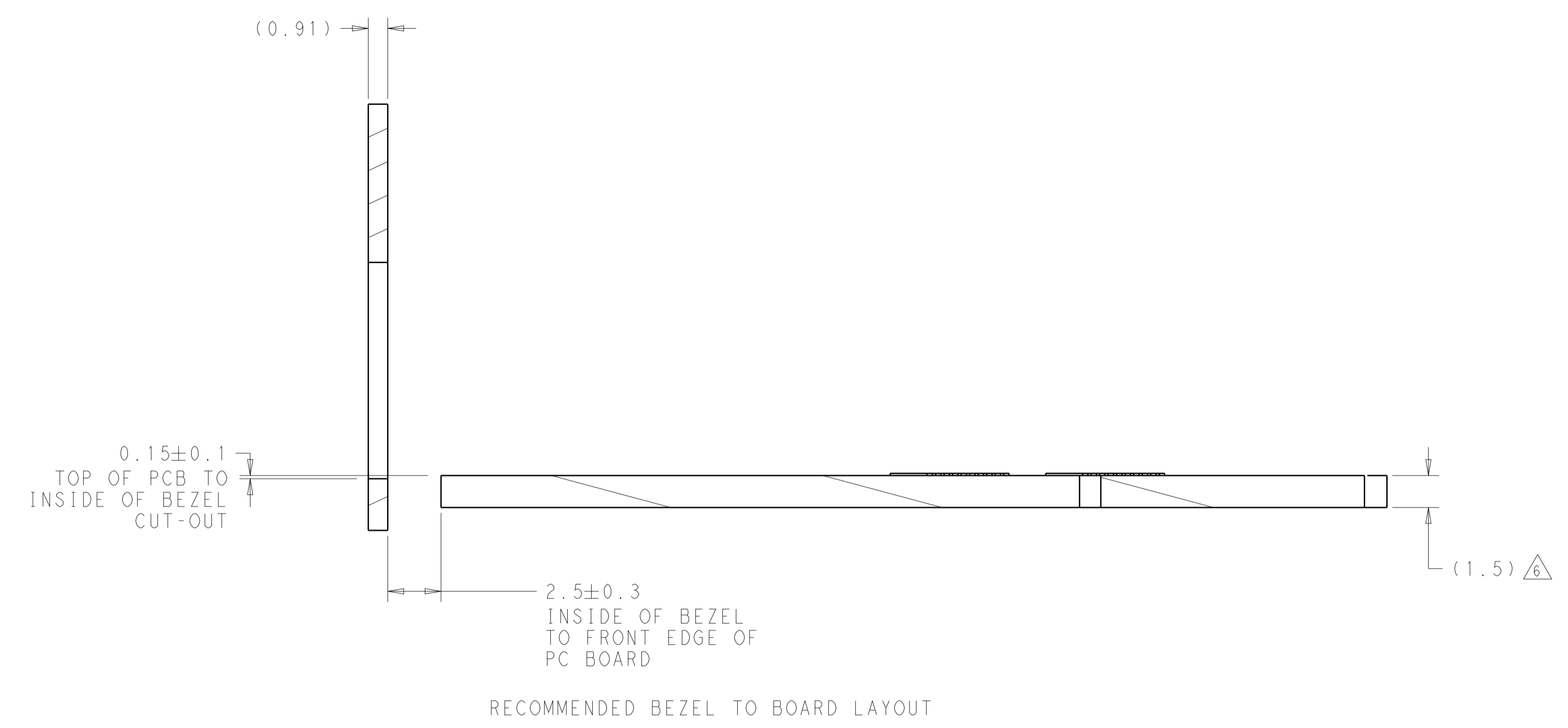
- 1 MATERIAL: 0.25mm THICK NICKEL SILVER ALLOY.
- 2 DATUM AND BASIC DIMENSIONS ESTABLISHED BY THE CUSTOMERS.
- 3. MATES WITH MSA COMPLIANT TRANSIEVERS.
- 4 PADS AND VIAS CHASSIS GROUND.
- 5 REFERENCE APPLICATION SPEC 114-13120, HOLE A, FOR RECOMMENDED DRILL HOLE DIAMETER AND PLATING THICKNESS.
- 6 MINIMUM PCB THICKNESS:
SINGLE SIDED = 1.5mm



2170167-1
 PART NO.

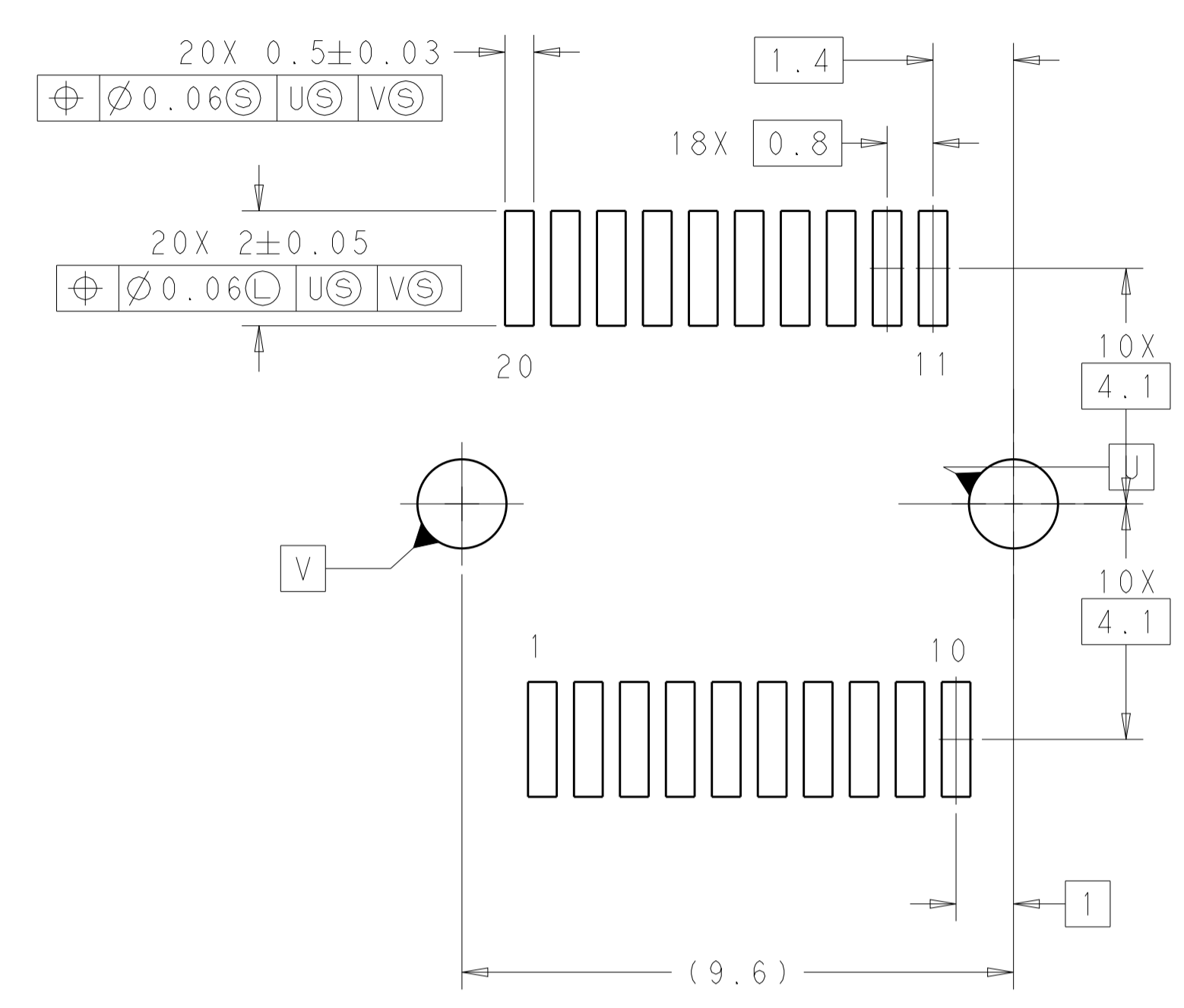
THIS DRAWING IS A CONTROLLED DOCUMENT.		DWN: JASON YANG 08NOV2011	TE Connectivity SFP, 1X4 CAGE ASSEMBLY, 30 DEGREE, PRESS FIT
DIMENSIONS: mm		CHK: ALEX CAI 08NOV2011	
TOLERANCES UNLESS OTHERWISE SPECIFIED:		APVD: ALEX CAI 08NOV2011	
0 PLC ±0.2 1 PLC ±0.2 2 PLC ±0.2 3 PLC ±0.2 4 PLC ±0.2 ANGLES ±0.2		PRODUCT SPEC: 108-1950 APPLICATION SPEC: 114-13120 WEIGHT: -	
MATERIAL:		FINISH: -	SIZE: A1 CAGE CODE: 00779 DRAWING NO: 2170167 CUSTOMER DRAWING
SCALE: 4:1			SHEET 1 OF 3 REV A

LOC		DIST		REVISIONS			
GP	00	P	LTN	DESCRIPTION	DATE	DMN	APVD
-	-	-	-	SEE SHEET 1	-	-	-

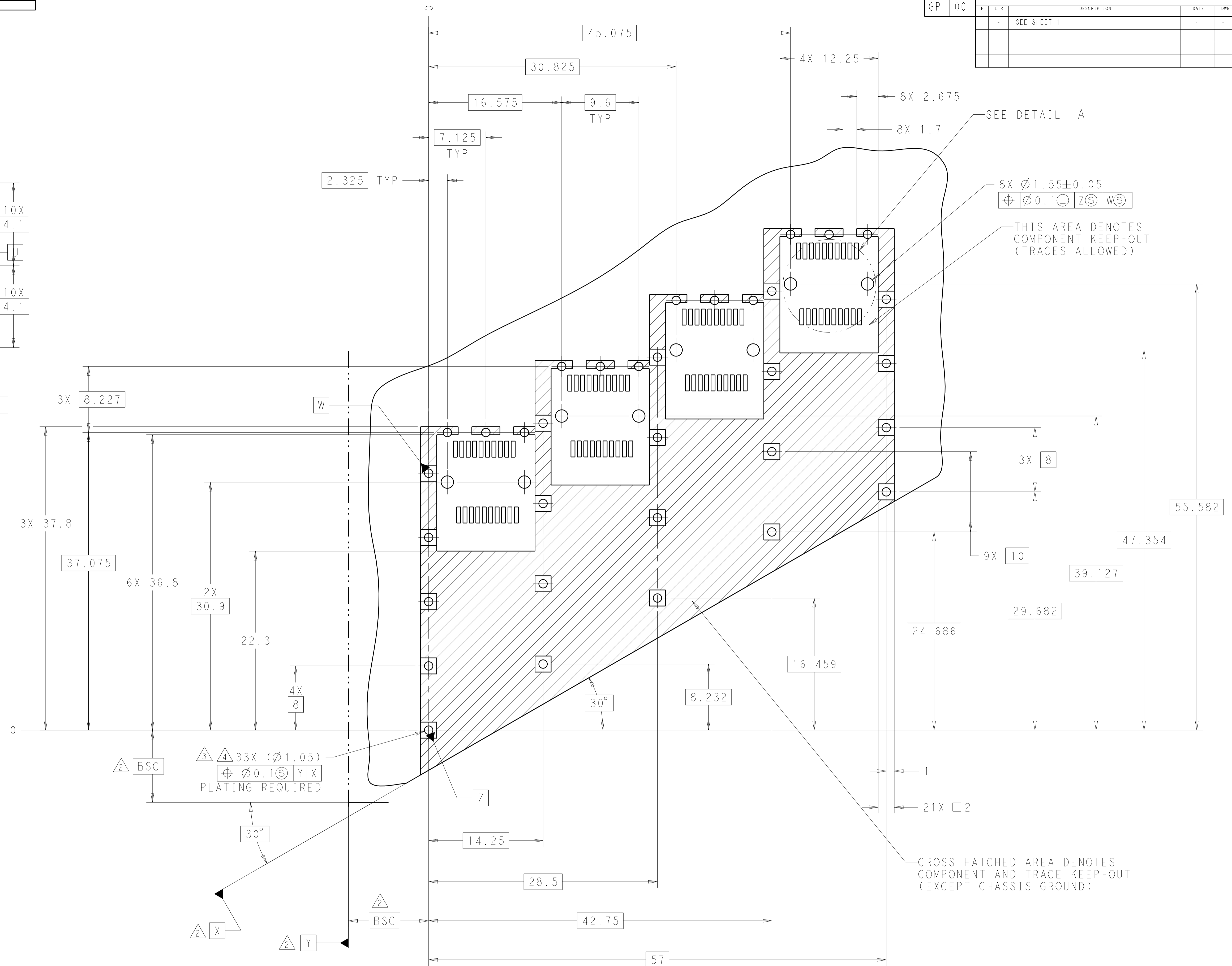


THIS DRAWING IS A CONTROLLED DOCUMENT.		DMN	JASON YANG	08NOV2011	 TE Connectivity
DIMENSIONS:		CHK	ALEX CAI	08NOV2011	
mm		APVD	ALEX CAI	08NOV2011	
0 PLC ±0.2 1 PLC ±0.2 2 PLC ±0.2 3 PLC ±0.2 4 PLC ±0.2 ANGLES ±0.2 FINISH ±0.3		PRODUCT SPEC 108-1950 APPLICATION SPEC 114-13120		NAME SFP, 1X4 CAGE ASSEMBLY, 30 DEGREE, PRESS FIT	
MATERIAL		WEIGHT		SIZE	RESTRICTED TO
-		-		114-13120	A100779C=2170167
CUSTOMER DRAWING		SCALE		SHEET	REV
		4:1		2	A

LOC	DIST	REVISIONS					
GP	00	P.	LYR	DESCRIPTION	DATE	OWN	APVD
		-	-	SEE SHEET 1	-	-	-



DETAIL A
RECOMMENDED PT CONNECTOR LAYOUT
4X INDIVIDUALLY
SCALE 10:1



RECOMMENDED PCB CONFIGURATION
WITH KEEP-OUT AREAS
PCB TOLERANCE:±0.05
SINGLE SIDED APPLICATIONS

CROSS HATCHED AREA DENOTES
COMPONENT AND TRACE KEEP-OUT
(EXCEPT CHASSIS GROUND)

THIS DRAWING IS A CONTROLLED DOCUMENT.		OWN: JASON YANG 08NOV2011	TE Connectivity	
DIMENSIONS:		CHK: ALEX CAI 08NOV2011		
mm	TOLERANCES UNLESS OTHERWISE SPECIFIED:	APVD: ALEX CAI 08NOV2011	NAME: SFP, 1X4 CAGE ASSEMBLY, 30 DEGREE, PRESS FIT	
0 PLC	±0.2	PRODUCT SPEC	SIZE: CAGE CODE DRAWING NO. RESTRICTED TO	
1 PLC	±0.2	108-1950	A100779C=2170167	
2 PLC	±0.2	APPLICATION SPEC	SCALE 4:1 SHEET 3 OF 3 REV A	
3 PLC	±0.2	114-13120	CUSTOMER DRAWING	
4 PLC	±0.2	WEIGHT		
ANGLES	±0.2			
MATERIAL:	FINISH:			