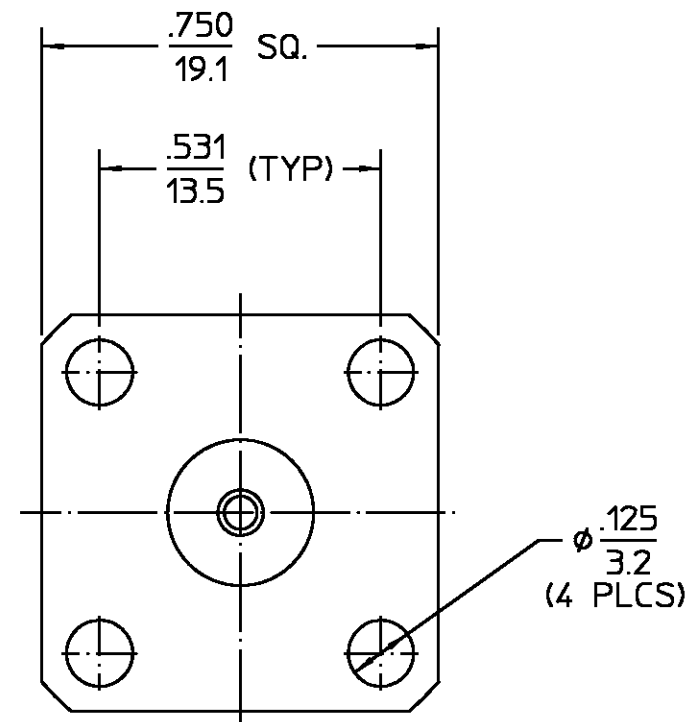
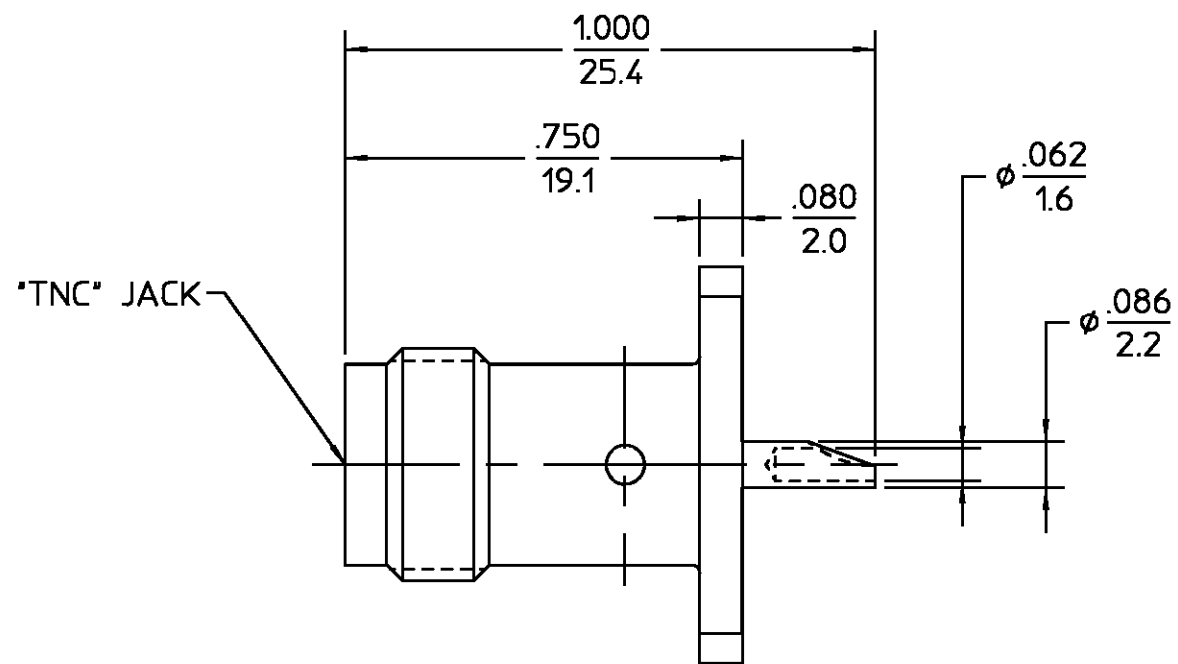



REVISIONS			
REV	DESCRIPTION	DATE	APPROVED
01 ₁	REVISED	K.L. 7-11-96	<i>RHC</i>



HOUSING	BRASS PER ASTM-B-16, HALF HARD	NICKEL PLATE PER QQ-N-290
DIELECTRIC	TFE FLUOROCARBON PER ASTM-D-1457	N/A
CENTER CONTACT	BERYLLIUM COPPER PER ASTM-B-196 OR ASTM-B-197, ALLOY C17300, CONDITION H	GOLD PLATE PER MIL-G-45204
COMPONENT	MATERIAL	FINISH
UNLESS OTHERWISE SPECIFIED DIMENSIONS ARE IN INCHES	DRAWN BY K.L.	DATE 2-3-71
	CHECKED BY PRB	DATE 2-3-71
FRAC. ± 1/64	DEC. ± .005	ANGLES ± 1°
These drawings and specifications are the property of M/A COM Interconnect Div. and shall not be reproduced or copied or used in whole or in part as the basis for the manufacture or sale of item(s) without written permission.	USE ASSY PROCEDURE	 AMP Incorporated 140 Fourth Avenue Waltham, MA 02451-7599
	NO. A.P. <u>N/A</u>	
TITLE		"TNC" STRAIGHT PANEL JACK RECEPTACLE
SIZE B	CODE IDENT NO. 26805	3152-0000-10
SCALE 3:1	REV 01 ₁	SHEET 1 OF 1

NOTES:
1. CAPTURED CENTER CONTACT

.XXX = in
XX.X = mm (REF)

CUSTOMER DRAWING

AMP PART # 1057775-1
SHEET 1 OF 1 REV. A