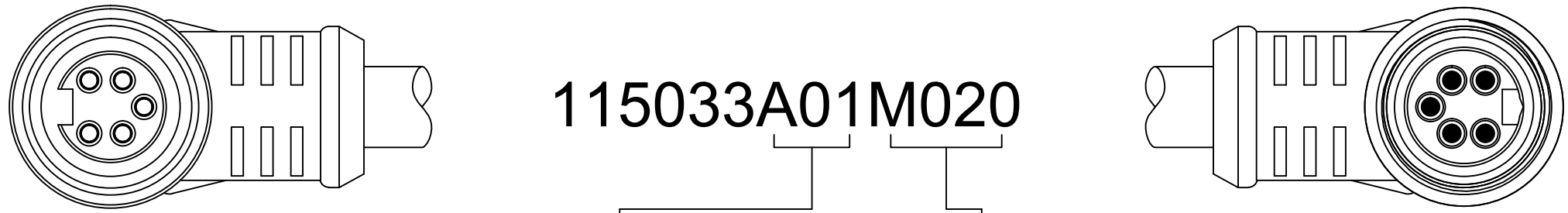
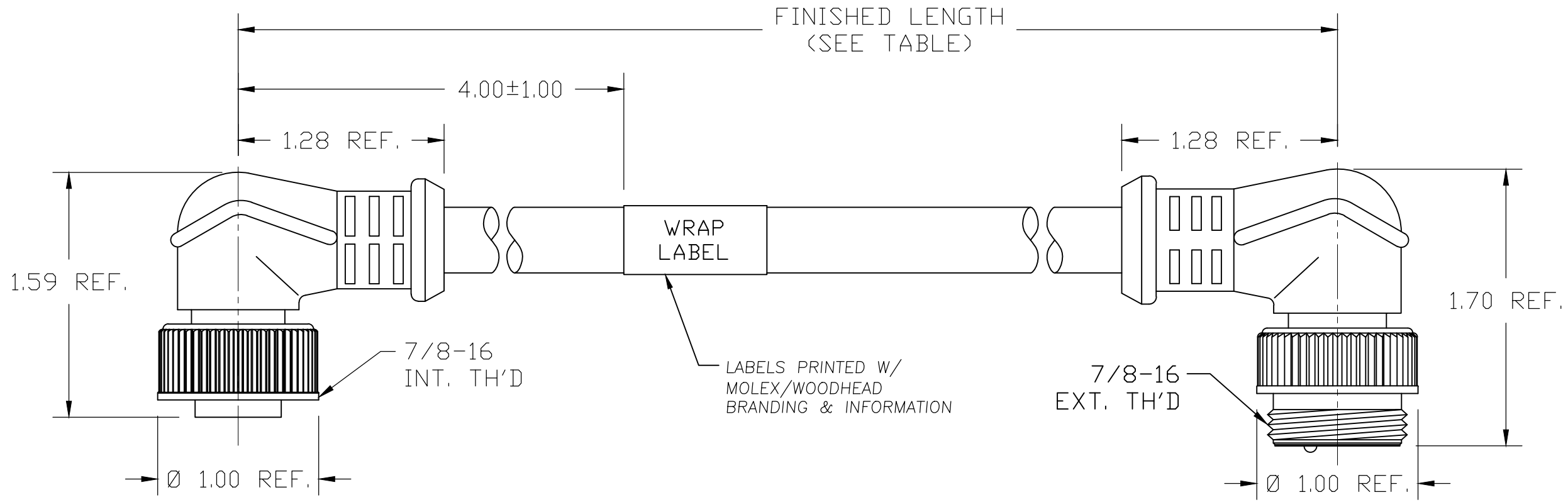


13	12	11	10	9	8	7	6	5	4	3	2	1
<b>MATERIAL NUMBER</b>	<b>OLD PART NUMBER</b>	<b>FINISHED LENGTH</b>										
130010-1303	115033A01M020	6.56' +3.50" -0 [2.0M +88.9mm -0]										

1	WHITE	1
2	RED	2
3	GREEN/YELLOW	3
4	ORANGE	4
5	BLACK	5



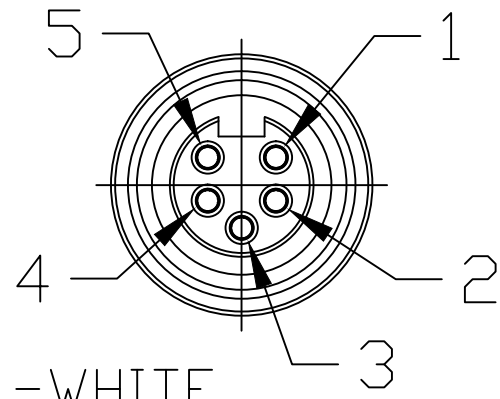
**115033A01M020**

Wire type  
16/5 AWG  
Yellow PVC

cable length  
M020----2 Meter  
M100----10 Meter

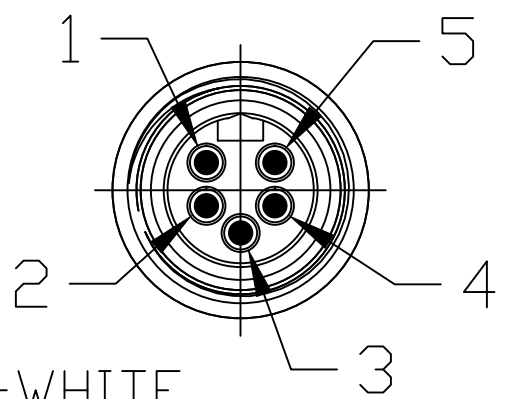
CONTACT:	GOLD/NICKEL OVER COPPER ALLOY
INSERT:	PVC, YELLOW
COUPLING NUT:	ZINC DIE CAST, BLACK E-COATED
MOLDED BODY:	PVC, YELLOW
VOLTAGE RATING:	600 VAC/VDC
AMPERAGE RATING:	10 AMPS
PROTECTION:	IP67
OPERATING TEMPERATURE:	-20°C TO 105°C
UL CERTIFICATIONS:	UL RECOGNIZED, FILE NO. E152210; CSA CERTIFIED, FILE NO. LR6837

**FEMALE INSERT FRONT VIEW**



1-WHITE  
2-RED  
3-GREEN/YELLOW  
4-ORANGE  
5-BLACK

**MALE INSERT FRONT VIEW**



1-WHITE  
2-RED  
3-GREEN/YELLOW  
4-ORANGE  
5-BLACK

INITIAL RELEASE EC NO: IFC2013-1910 DRWN: EBRACKEN 2013/06/20 CH'KD: RSTONE APPR: BWOODMAN2013/08/14	REV A	QUALITY SYMBOL ▽=0 ◻=0	GENERAL TOLERANCES (UNLESS SPECIFIED)		DIMENSION STYLE IN/MM		SCALE ---	DESIGN UNITS INCH	THIRD ANGLE PROJECTION			
				mm	INCH	DRAWN BY EBRACKEN	DATE 2013/06/18	TITLE <b>MINI-CHANGE CORDSET 5P MALE/FEMALE 90/90 #16/5 TPE CABLE</b>				
			4 PLACES	±---	±---	CHECKED BY RSTONE	DATE ----	<b>MOLEX INCORPORATED</b> DOCUMENT NO. SD-130010-029 SHEET NO. 1 OF 1				
			3 PLACES	±---	±.005	APPROVED BY BWOODMAN						
2 PLACES	±0.13	±.010	MATERIAL NO. <b>SEE CHART</b>		SIZE <b>C</b>		THIS DRAWING CONTAINS INFORMATION THAT IS PROPRIETARY TO MOLEX INCORPORATED AND SHOULD NOT BE USED WITHOUT WRITTEN PERMISSION					
1 PLACE	±0.25	±.020									DRAFT WHERE APPLICABLE MUST REMAIN WITHIN DIMENSIONS	