

Ratings

Voltage: 150 V
 Temperature: -40~70 °C

Conductor

Conductor count: 2
 Gauge: 30 AWG 0.05 mm²
 Material: Tinned copper strands
 Strand size: $\varnothing 0.05 \times 25$
 Resistance at 20 °C: 385 Ω /km max

Insulator

Material: HDPE
 Color: white, black
 Diameter: $\varnothing 0.65 \pm 0.10$ mm
 Nominal thickness: 0.18 mm
 Resistance at 20 °C: 100 M Ω /km min

Wrap:

Material: cotton paper

Filler

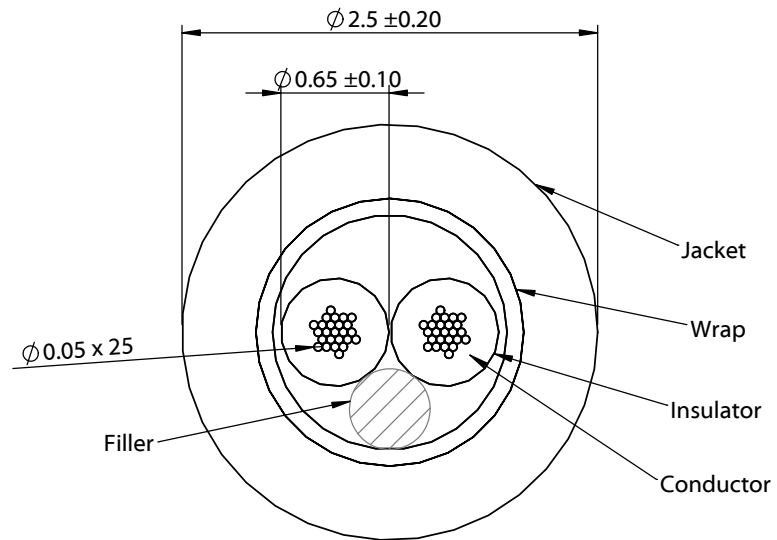
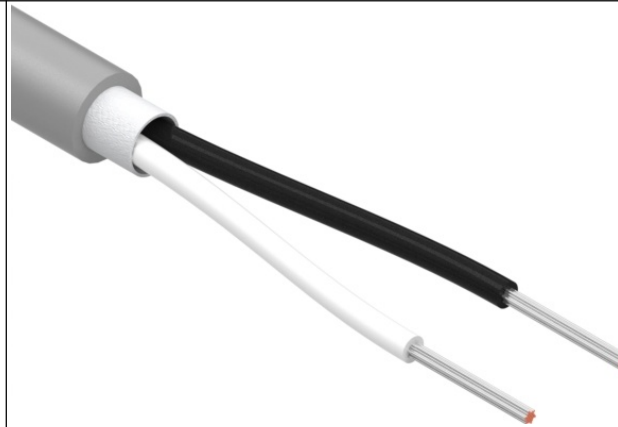
Material: aramid fiber

Outer jacket

Material: TPU
 Color: gray
 Diameter: $\varnothing 2.5 \pm 0.20$ mm
 Nominal thickness: 0.50 mm

Tests


Tensility strength: 15 kgf min
 Dielectric test: 1500 V dc for 1 minute without breakdown
 Bend test at 200g, $\pm 60^\circ$, 30 cycles/min: 15,000 cycle minimum



Revision:	Date:	Description:
A	08/23/2022	Initial release

Prepared: PB	<small>Digitally signed by PB Date: 2022.09.20 10:17:07 -07'00'</small>
Verified: MP	<small>Digitally signed by MP Date: 2022.09.21 08:48:45 -07'00'</small>
Dimensions are in millimeters. Tolerances: X: ± 0.5 mm X.X: ± 0.3 mm X.XX: ± 0.05 mm	

Notes:
RoHS compliant Jacket meets ISO 10993 Biological Compatibility Phthalate and halogen free Function test: no open, no short, no intermittent
Description:
Wire, 2C TS, 30 AWG, 150V, 70C, 2.5 mm, TPU, 75A, gray, WBL

TENSILITY	
<small>tel 1.541.323.3228</small>	<small>800 877.670.7118</small>
<small>fax 1.541.323.4202</small>	<small>web tensility.com</small>
Size: A	Part number: 30-02708
Scale: 22:1	
Sheet 1 of 1	