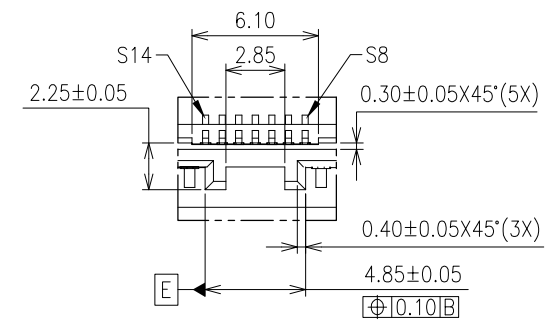
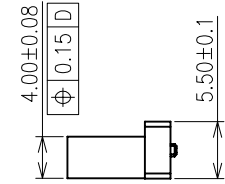
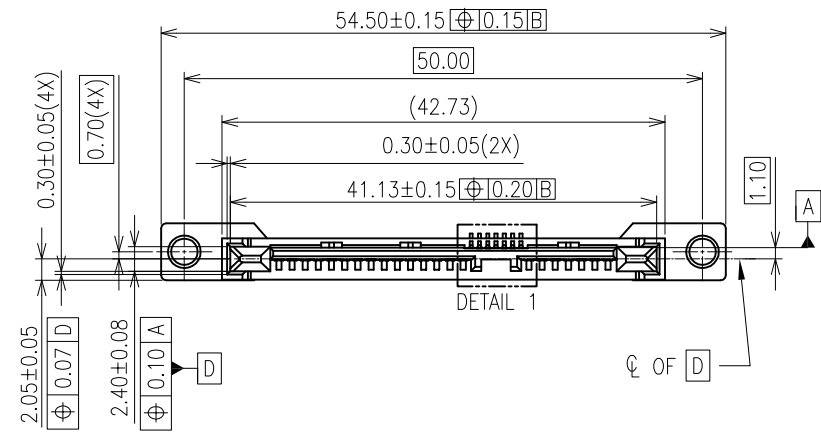
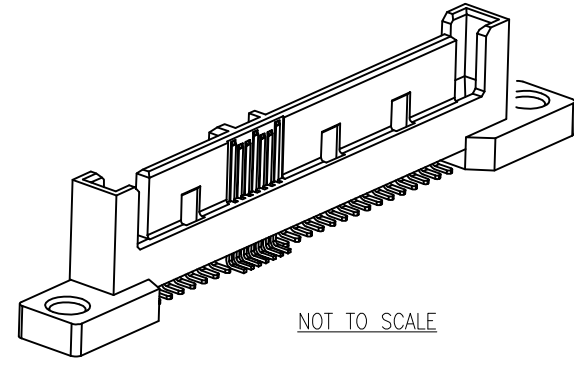
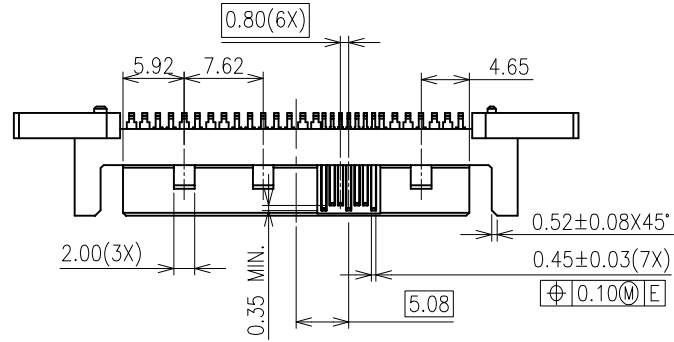


3M™ Serial Attached SCSI (SAS) Connector
Surface Mount, Vertical Plug, SBH Series

| REVISION RECORD | | |
|-----------------|--------------------|----------|
| REV. | ECR/ECN/ECO NUMBER | DATE |
| C | ECO-0038741 | 19/03/12 |



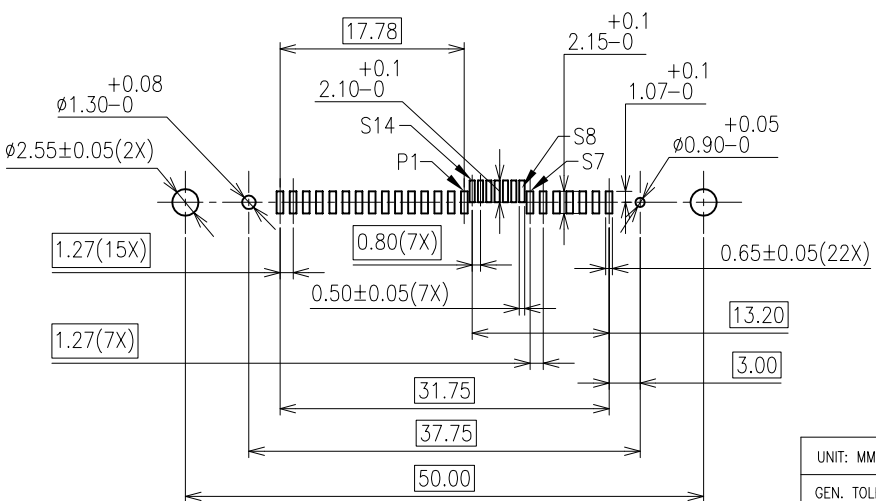
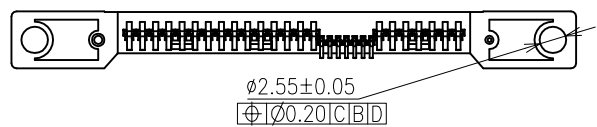
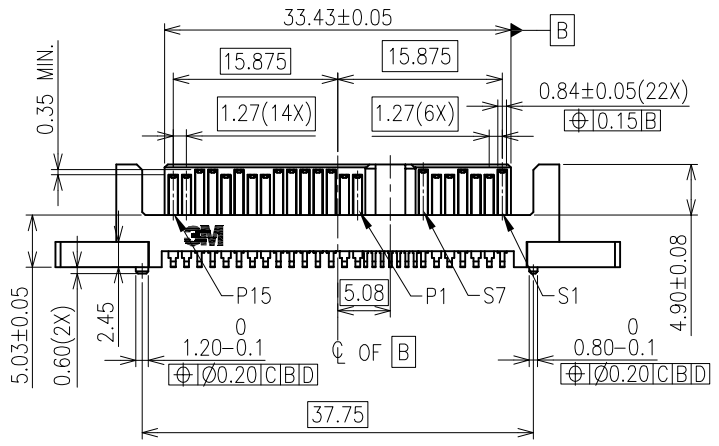
DETAIL 1
SCALE: 4:1

Visit <http://www.3Mconnectors.com>

| | | | | | |
|---|--|---------------|--|----------------------------|---|
| UNIT: MM | DFTG OH KIM CHYE | DATE 19/03/12 | | DIVISION ESD | STATUS RELEASED |
| GEN. TOLERANCES | CHKD QIAO YUN LONG | DATE 19/03/12 | | MODEL | |
| LINEAR .0 =±0.25 .00 =±0.15 ±0.20 .000=±0.05 | APPVL ALAN ANG | DATE 19/03/12 | TITLE Serial Attached SCSI (SAS) Connector Surface Mount, Vertical Plug | | |
| ANGLE=±± ±3° | THIS DOCUMENT CONTAINS INFORMATION WHICH IS PROPRIETARY TO 3M COMPANY. NO REPRODUCTION OR PUBLICATION OF THIS DOCUMENT, IN WHOLE OR IN PART, SHALL BE MADE WITHOUT AUTHORIZATION FROM 3M. ©3M 2012. ALL RIGHTS RESERVED. | | SIZE A3 | DRAWING NO. 78-5100-2178-1 | REV C |
| PROJECTION | INTERPRET PER ASME Y14.5M-1994 | | SCALE : 2:1 | | DET LIST <input type="checkbox"/> YES <input type="checkbox"/> NO |
| | CRITICAL DIMENSION: ▲ | | SHT 1 of 2 | | |

3M™ Serial Attached SCSI (SAS) Connector
Surface Mount, Vertical Plug, SBH Series

| REVISION RECORD | | |
|---------------------|--------------------|------|
| REV. | ECR/ECN/ECO NUMBER | DATE |
| REFER TO SHT 1 of 2 | | |



RECOMMENDED PCB LAYOUT
PCB THICKNESS 1.422 TO 1.727

Visit <http://www.3Mconnectors.com>

NOTES:

- RoHS COMPLIANT. SEE REGULATORY INFORMATION APPENDIX IN "RoHS COMPLIANCE" SECTION AT WWW.3M.COM/INTERCONNECT (E1 & C1 APPLY)
- MEETS SPECIFICATION SAS 2.1
- PHYSICAL:
HOUSING: HIGH TEMPERATURE THERMOPLASTIC, BLACK, UL94V-0
CONTACT: COPPER ALLOY
- ELECTRICAL:
CURRENT RATING: POWER PIN: 1.5A
 SIGNAL PIN: 500mA
INSULATION RESISTANCE: 10³ MΩ min.
WITHSTANDING VOLTAGE: 500V_{ac} AT SEA LEVEL
- ENVIRONMENTAL:
OPERATING TEMPERATURE RANGE: -40°C TO +85°C
- UL FILE NO. E68080
- ORDERING INFORMATION:
SBH-ST-29-SM-ML
PLATING:
ML: 30u" MIN. Au AT MATING AREA
 50u" MIN. Ni UNDERPLATE
 100u" MIN. Sn AT TERMINATION AREA

| | | | | | | | |
|---|--|---------------|---------------|---|----------------|--|--------------------|
| UNIT: MM | DFTG | OH KIM CHYE | DATE 19/03/12 | 3M APAC INNOVATION CENTRE | DIVISION | ESD | STATUS RELEASED |
| GEN. TOLERANCES | CHKD | QIAO YUN LONG | DATE 19/03/12 | | MODEL | | |
| LINEAR .0 =±0.25 .00 =±0.15 ±0.20 .000=±0.05 | APPVL | ALAN ANG | DATE 19/03/12 | TITLE Serial Attached SCSI (SAS) Connector Surface Mount, Vertical Plug | | | |
| ANGLE=±± ±3° | THIS DOCUMENT CONTAINS INFORMATION WHICH IS PROPRIETARY TO 3M COMPANY. NO REPRODUCTION OR PUBLICATION OF THIS DOCUMENT, IN WHOLE OR IN PART, SHALL BE MADE WITHOUT AUTHORIZATION FROM 3M. ©3M 2012. ALL RIGHTS RESERVED. | | | SIZE | DRAWING NO. | REV | |
| PROJECTION | INTERPRET PER ASME Y14.5M-1994 | | | A3 | 78-5100-2178-1 | C | |
| CRITICAL DIMENSION: ▲ | | | | SCALE : 2:1 | DET LIST | <input type="checkbox"/> YES <input type="checkbox"/> NO | SHT 2 of 2 |