

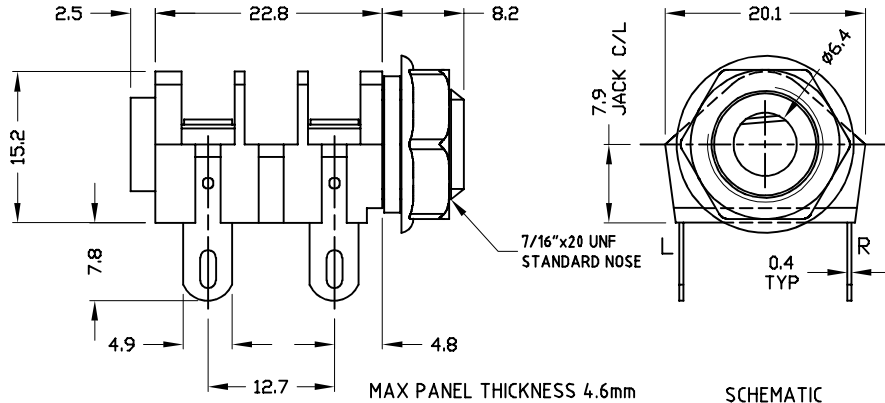
# CLIFF

## GOLD SWITCHED JACK SOCKETS

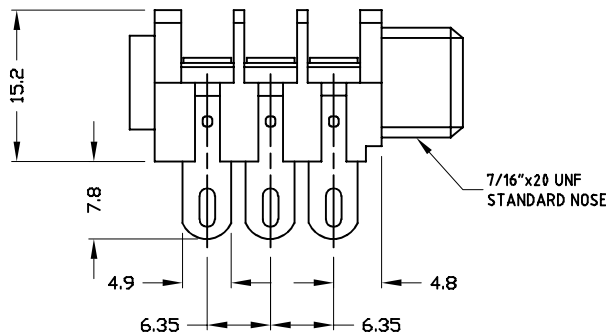
### 6.35mm JACK SOCKET



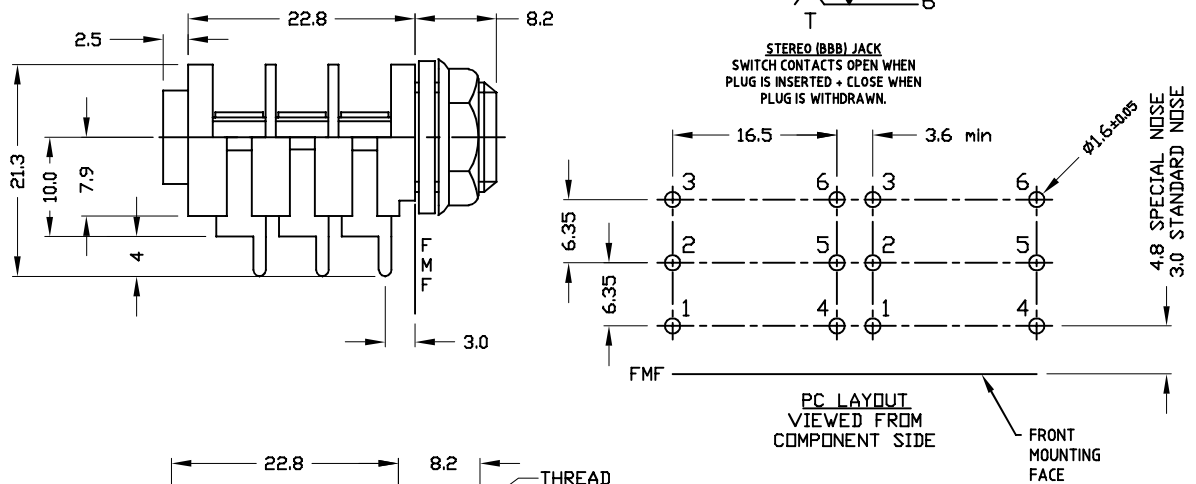
**CL11607**



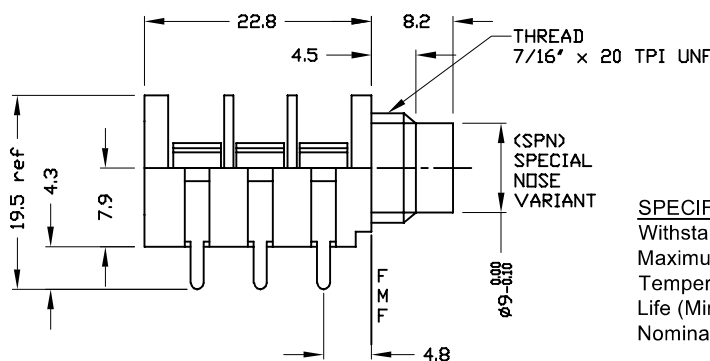
**CL12207**



**CL12327**



**CL12345**



#### SPECIFICATION

Withstand voltage:	2000V DC Min.
Maximum Current:	5A
Temperature Rating:	-10° C to +70° C
Life (Minimum):	10,000+ Operations
Nominal Contact Resistance:	<50mΩ

#### DESCRIPTION

**CL11607** - Jack Socket Mono S2/BNB Solder Tag

**CL12207** - Jack Socket Stereo S2/BBB Solder Tag

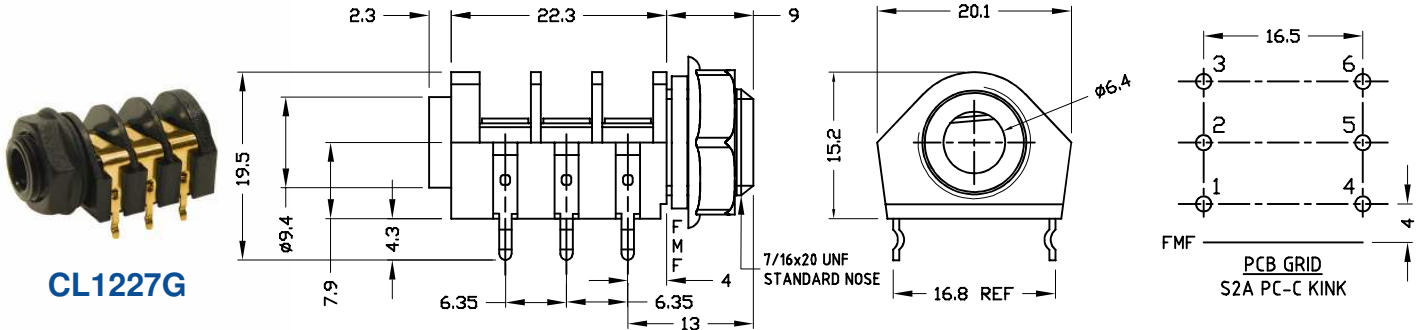
**CL12327** - Jack Socket Stereo S2/BBB PC Tag Type A.

**CL12345** - Jack Socket Stereo S2/BBB Special Nose PC Tag Type C. No nut or washers.

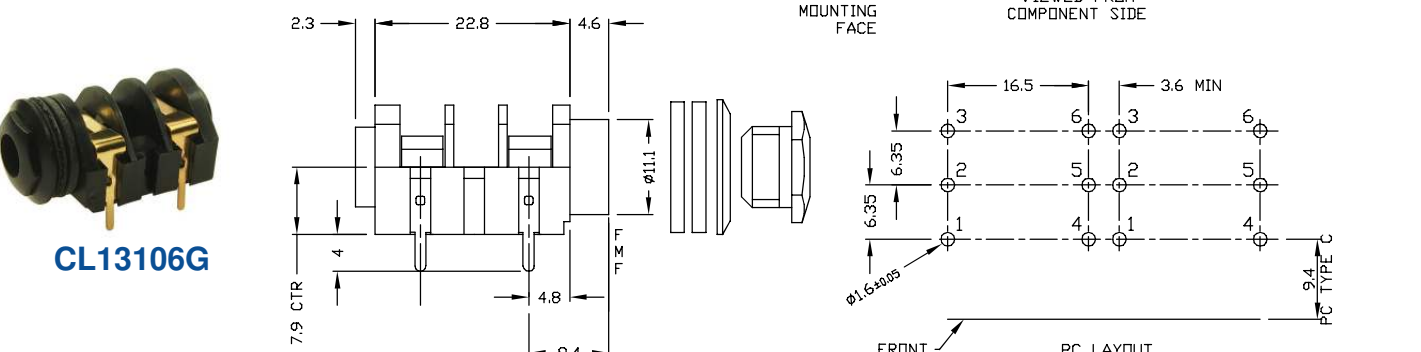
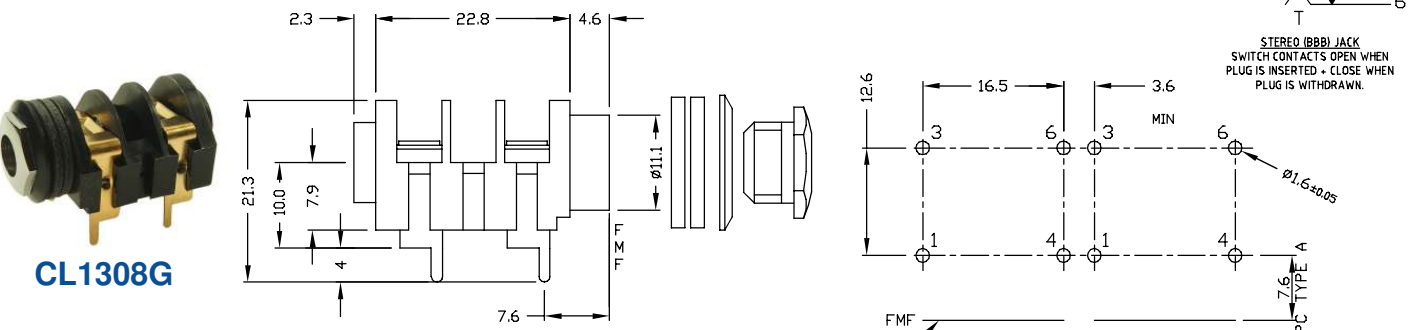
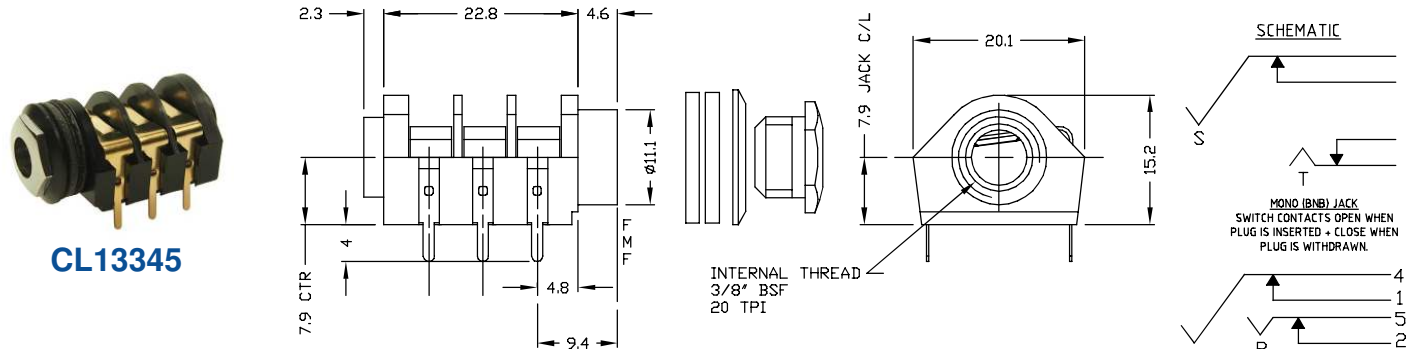
# CLIFF

## GOLD SWITCHED JACK SOCKETS

### 6.35mm JACK SOCKET

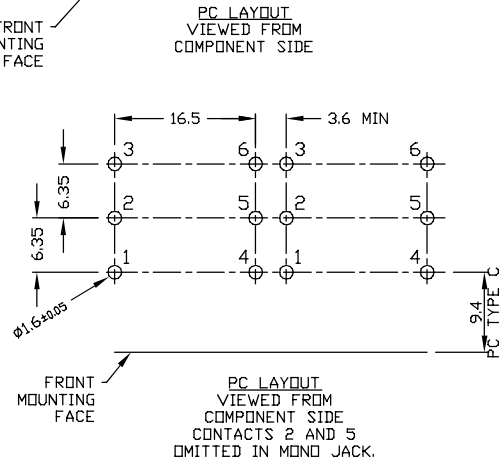


### 6.35mm JACK SOCKET



### DESCRIPTION

- CL1227G** - Jack Socket Stereo S2A/BBB PC tag type C Kinked
- CL13345** - Jack Socket Stereo S4/BBB PC tag type C
- CL1308G** - Jack Socket Mono S4/BNB PC tag type A
- CL13106G** - Jack Socket Mono S4/BNB PC tag type C



# CLIFF

## GOLD SWITCHED JACK SOCKETS

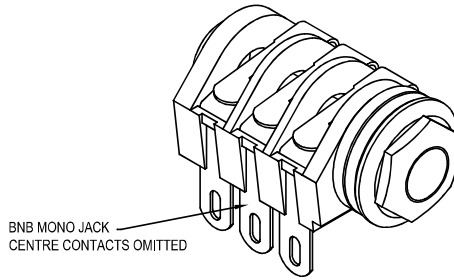
### 6.35mm JACK SOCKET



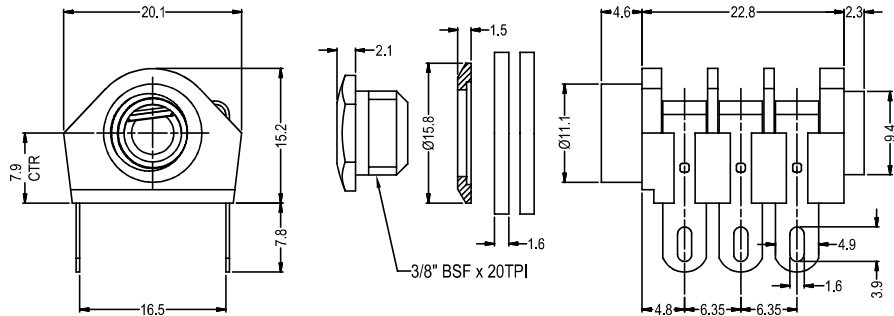
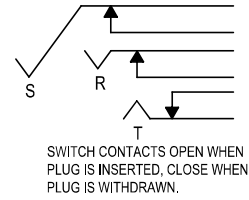
**CL1299A**



**CL1323A**



**SCHEMATIC**



### DESCRIPTION

**CL1299A** - Jack Socket Mono S4/BNB Solder Tag. Supplied assembled

**CL1323A** - Jack Socket Stereo S4/BBB Solder Tag. Supplied assembled

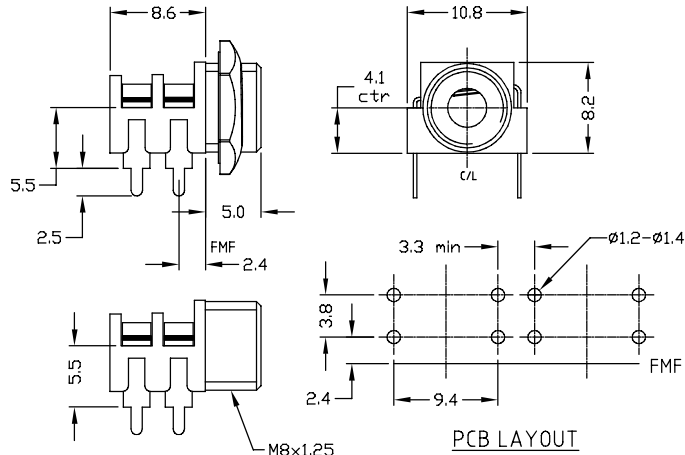
### 3.5mm JACK SOCKET



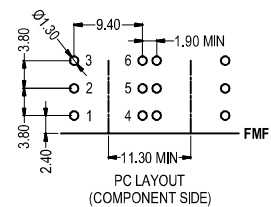
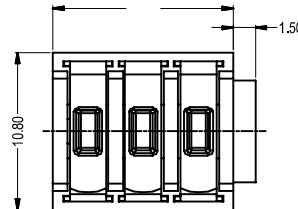
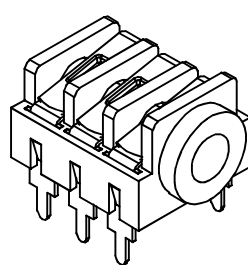
**CL13845G**



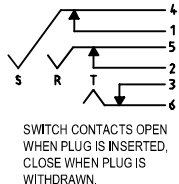
**CL13843G**



**FCR1295G**



**SCHEMATIC**



### SPECIFICATIONS

- WITHSTAND VOLTAGE: 2000V DC min
- MAXIMUM CURRENT: 5A
- TEMPERATURE RANGE: -10°C TO +70°C
- LIFE (MINIMUM): 5,000+ OPERATIONS
- CONTACT RESISTANCE <50mΩ

### DESCRIPTION

**CL13845G** - 3.5mm Jack Socket S6G/BB with nut

**CL13843G** - 3.5mm Jack Socket S6G/BB without nut

**CL1295G** - 3.5mm Stereo Jack Socket S9/BBB with 6mm PCB legs

# CLIFF

## GOLD SWITCHED JACK SOCKETS

### JACK SOCKET ACCESSORIES



**FCR14422** - EMI / RFI SCREEN FOR 6.35mm JACK SOCKETS



**CL14218** - BLACK COMBINED NUT/BEZEL FOR S4 TYPE JACK SOCKET



**CL14218GY** - GREY COMBINED NUT/BEZEL FOR S4 TYPE JACK SOCKET



**CL14218R** - RED COMBINED NUT/BEZEL FOR S4 TYPE JACK SOCKET



**CL1396** - RECESS PLATE TO ALLOW FLUSH MOUNTING OF 6.35mm JACK SOCKETS

