

MATERIALS AND FINISHES

- BODY ZINC ALLOY
PLATED NICKEL
- CENTER CONTACT PHOSPHOR BRONZE
PLATED GOLD
- INSULATOR POLYPROPYLENE (94-V0)

HOUSING POLYESTER BUTYLENE TEREPHTHALATE
COLOR BLACK

MOUNTING POST BRASS
PLATED TIN

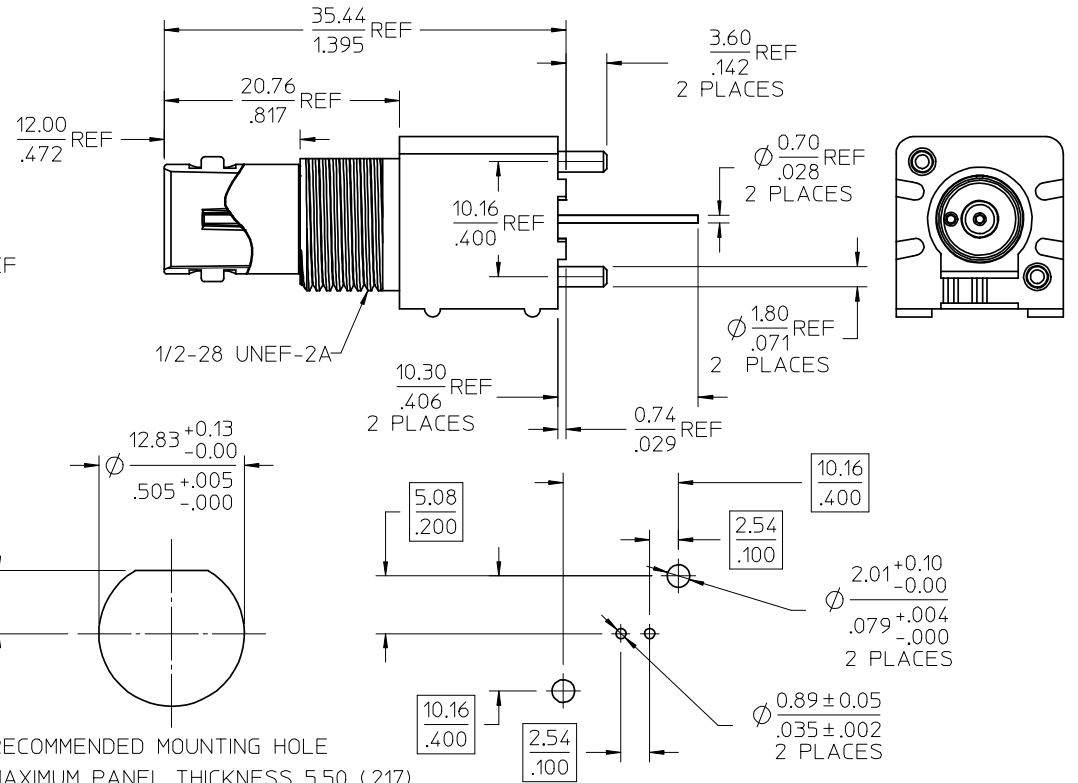
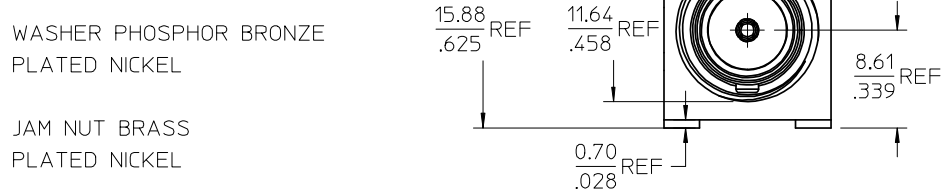
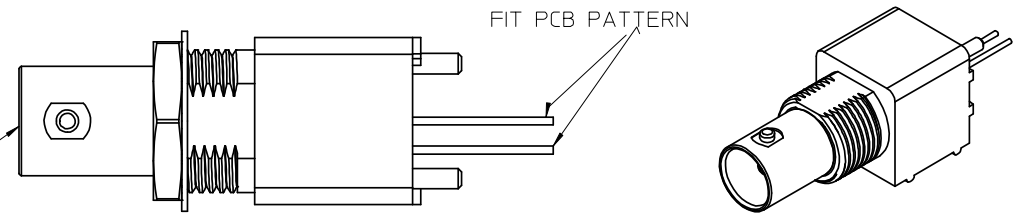
SOLDER TAIL COPPER OVER STEEL WIRE
PLATED TIN

WASHER PHOSPHOR BRONZE
PLATED NICKEL

JAM NUT BRASS
PLATED NICKEL

LEADS ARE TO BE
ADJUSTED AS NEEDED TO
FIT PCB PATTERN

BNC JACK
75 OHMS
INTERFACE



PART # 73131-7003

TRAY PACK

RECOMMENDED MOUNTING HOLE
MAXIMUM PANEL THICKNESS 5.50 (.217)
RECOMMENDED MOUNTING TORQUE:
1.36 N-M (12 INCH-LBS)

RECOMMENDED PCB HOLE
CONFIGURATION

PS-73598-0051	PRODUCT SPECIFICATION
SPECIFICATION	DESCRIPTION

CHG: REDREW IN SD MATERIAL FOR INSULATOR WAS POLYPROPYLENE (94V2)	EC NO: URF2008-0493	2008/03/28
	DRWN: WIENER	2008/03/28
DESCRIPTION	CHKD: SHAH	2008/03/28
	APPR: WIENER	2008/03/28
REV	B1	

QUALITY SYMBOLS	▽=0
	▽=0

GENERAL TOLERANCES (UNLESS SPECIFIED)	mm	INCH
4 PLACES	± .005	± .0005
3 PLACES	± .003	± .0003
2 PLACES	± .002	± .0002
1 PLACE	± .001	± .0001
ANGULAR ± 2 °		
DRAFT WHERE APPLICABLE MUST REMAIN WITHIN DIMENSIONS		

DIMENSION STYLE MM/IN	
DRAWN BY DANG	DATE 1993/03/17
CHECKED BY	DATE
APPROVED BY RWOLFF	DATE 1993/03/15
MATERIAL NO. 731317003	DOCUMENT NO. SD-73131-7003

SCALE METRIC	DESIGN UNITS METRIC	THIRD ANGLE PROJECTION
TITLE BNC JACK, VERTICAL PCB, 75 OHMS BNC-J/BLK/PCB		
MOLEX INCORPORATED		
SHEET NO. 1 OF 1		