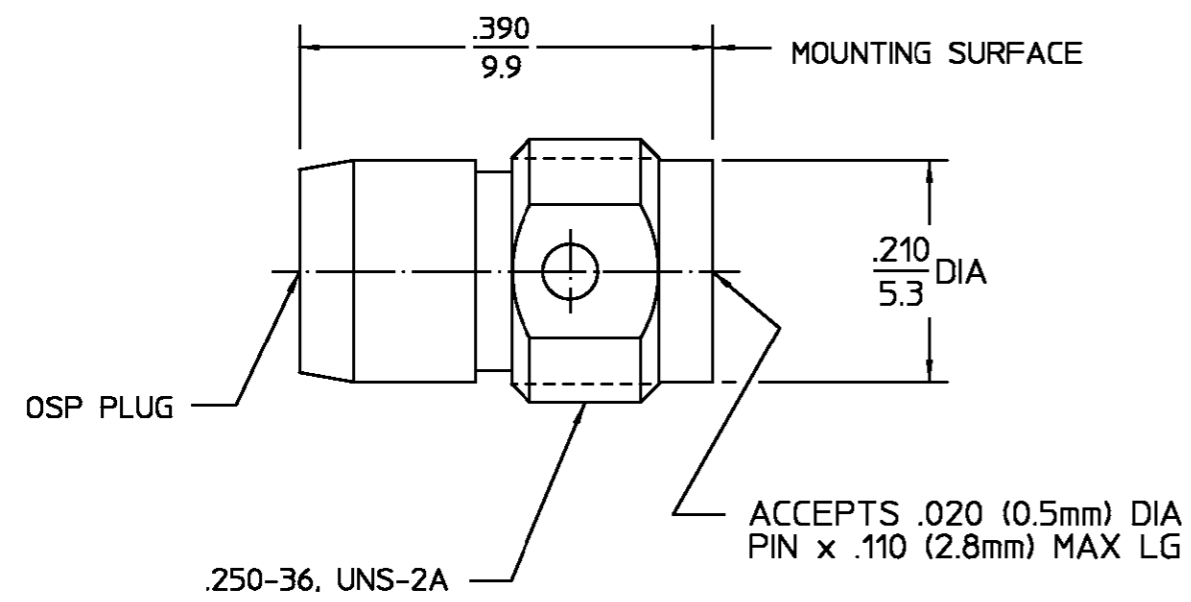


REVISIONS			
REV	DESCRIPTION	DATE	APPROVED
01	RELEASED	4/29/96	<i>D. Camello</i>



.XXX = in
XX.X = mm

ELECTRICAL	MECHANICAL	ENVIRONMENTAL
Nominal Impedance (Ohms) 50	Interface Dimensions Per OMNI-SPECTRA CATALOG	Temperature Rating -65°C To +125°C
Frequency Range (GHz) DC - 18.0	Recommended Mating Torque N/A	Vibration - MIL-STD-202, Method 204, Condition D, 20G's
Volt Rating (VRMS MAX) 335 @ Sea Level	Mating Characteristics:	Shock - MIL-STD-202, Method 213, Condition I
VSWR 1.04 + .006 F(GHz)	Insertion (MAX Lbs) N/A	Thermal Shock MIL-STD-202, Method 107, Condition B
Insertion Loss (dB MAX) .03√F(GHz)	Withdrawal (MIN Oz) N/A	Except High Temp 115°C
RF Leakage (dB MIN) -(90 - F(GHz))	Force To Engage (Lbs MAX) 3.0	Moisture Resistance - MIL-STD-202, Method 106
Corona, 70,000 Ft (VRMS MIN) 85	Force To Disengage (Lbs MAX) 1.5	Corrosion - MIL-STD-202, Method 101, Condition B, 5% salt spray
Dielectric Withstanding Voltage (VRMS MIN) 1000 @ Sea Level	Center Contact Captivation	
Contact Resistance (Milliohms MAX)	Axial (Lbs) 6.0	
Center Contact 3.0	Radial (In-Oz) 4.0	
Outer Contact 2.0	Weight (Grams) T.B.D.	
RF High Potential (VRMS MIN @ 5 MHz) 670 @ Sea Level		
I.R.(Megohms) 5000		

COMPONENT	MATERIAL	FINISH
HOUSING	STAINLESS STEEL PER ASTM-A484 AND ASTM-A582, TYPE 303	PASSIVATE PER ASTM-A380
DIELECTRIC	TFE FLUOROCARBON PER ASTM-D-1457	N/A
CENTER CONTACT	BERYLLIUM COPPER PER ASTM B 196, ALLOY	GOLD PLATE PER MIL-G-45204

UNLESS OTHERWISE SPECIFIED DIMENSIONS ARE IN INCHES TOLERANCE ON	DRAWN BY <i>D. Camello</i> DATE 4/29/96	AMP Incorporated 140 Fourth Avenue Waltham, MA 02451-7599
FRAC. DEC. ANGLES ± 1/64 ± .005 ± °	CHECKED BY <i>D. Camello</i>	
	APP'D BY <i>D. Camello</i> DATE 4/29/96	

These drawings and specifications are the property of M/A-COM incorporated and shall not be reproduced or copied or used in whole or in part as the basis for the manufacture or sale of item(s) without written permission.	USE ASSY PROCEDURE	TITLE OSP FIELD REPLACEABLE PANEL FEEDTHROUGH PLUG RECEPTACLE - SOCKET TERM
	408-04604 (45-130)	NO. AP
	SIZE B	CODE IDENT NO. 26805
	SCALE 5:1	4557-5366-02
		REV 01
		SHEET 1 OF 1