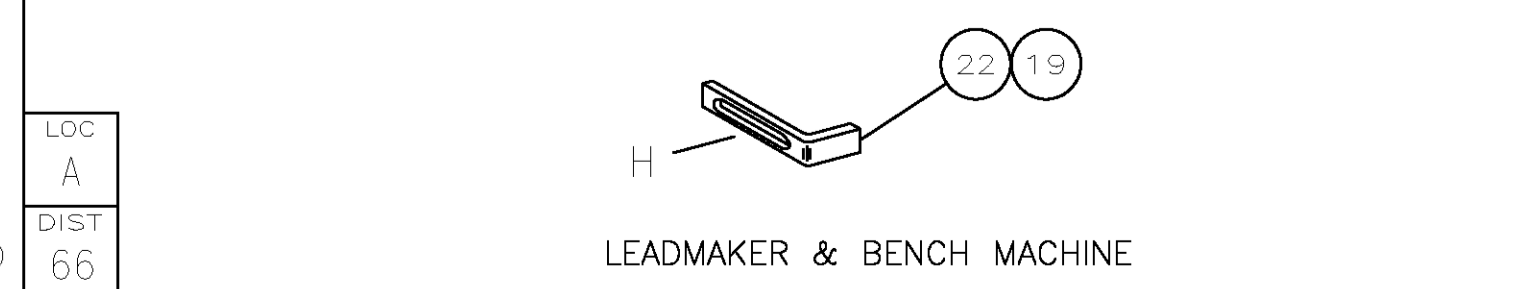
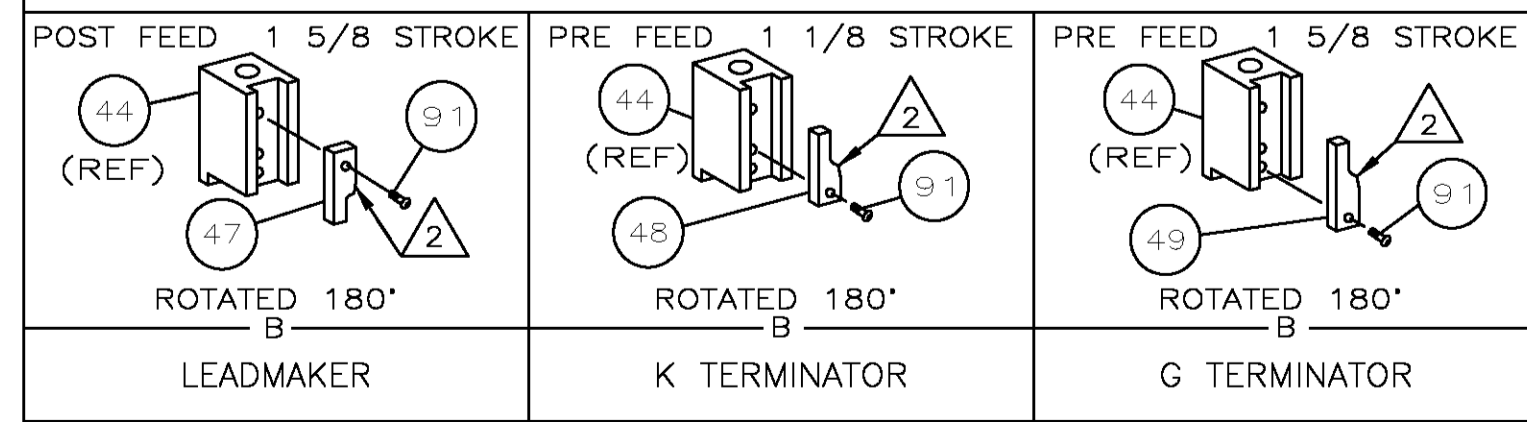
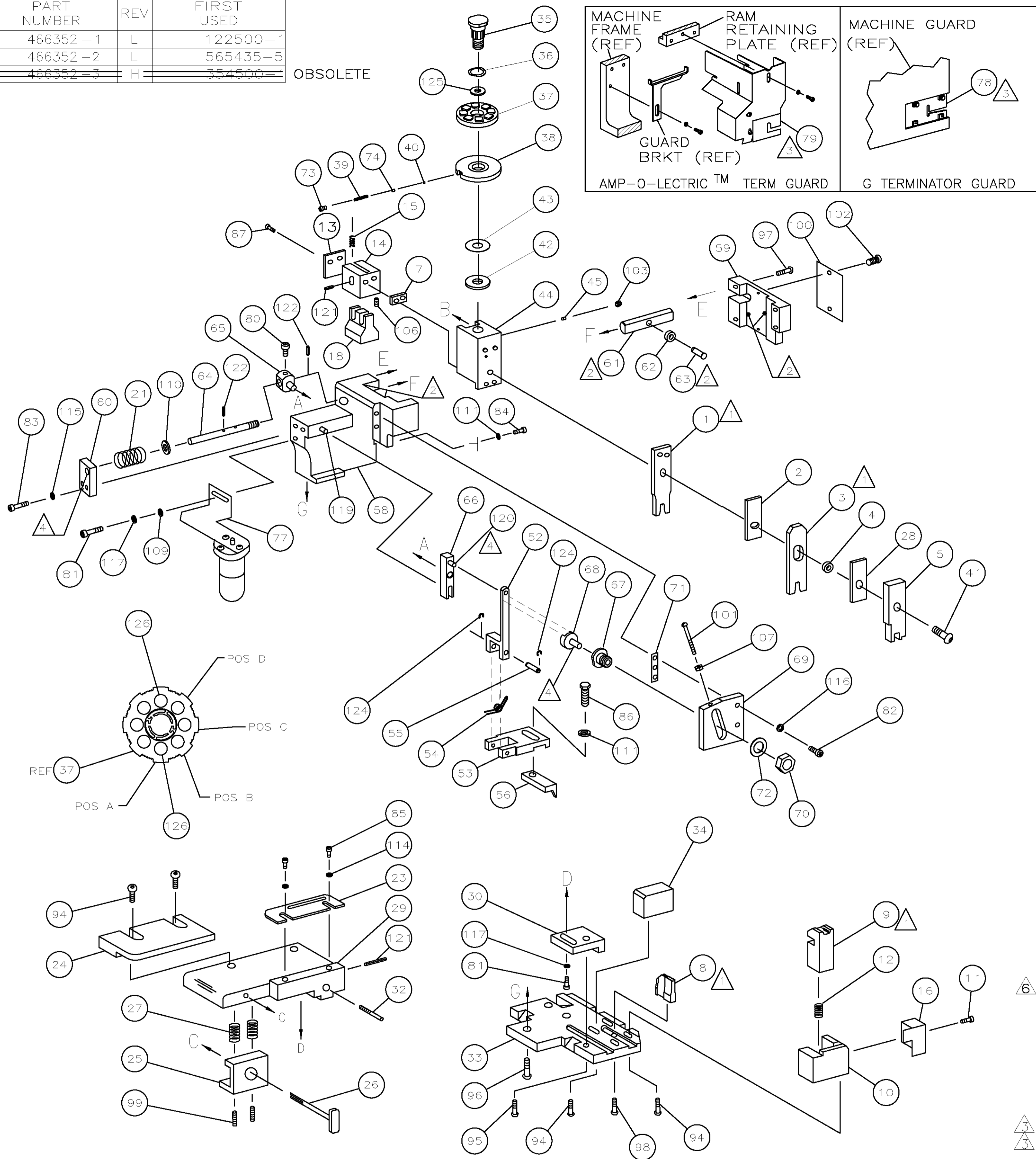
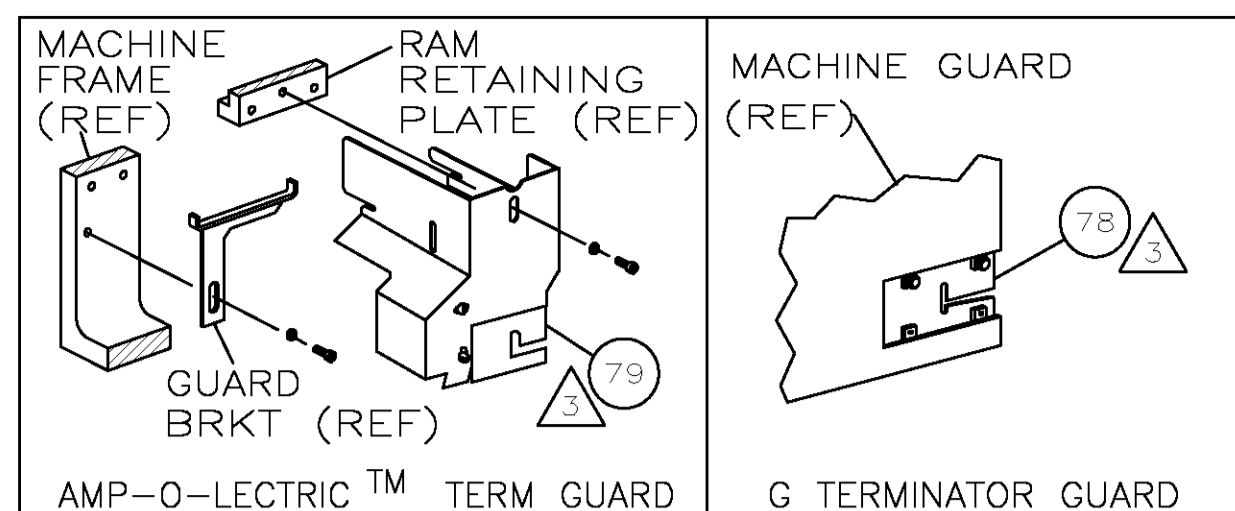


PART NUMBER	REV	FIRST USED
466352-1	L	122500-1
466352-2	L	565435-5
466352-3	H	354500

OBSOLETE



- 1 RECOMMENDED SPARE PARTS.
- 2 GREASE LIGHTLY.
- 3 GUARD MUST BE IN PLACE WHEN OPERATING APPLICATOR IN A BENCH MACHINE.
- 4 LUBRICATE DAILY USING NO. 20 MACHINE OIL.
- 5. ITEMS WITH QTY OF REF SPECIFIED (EXCEPT ITEMS 78 AND 79) ARE USED ON ITEM 46.
- 6 CUT TO LENGTH AT ASSEMBLY.

PIN		RECEPT		CRIMPING DATA			
PAD LTR	CRIMP HEIGHT	WIRE SIZE					
350694	350696	A	.031 ±.002 [0.79 ±0.05mm]	26-24			
350968	794000	B	NOT	USED			
		C	NOT	USED			
		D	NOT	USED			
WIRE	SIZE	TYPE	RANGE				
	.055 [1.4mm]	F	26-24				
	.070 [1.78mm]	F	.025-.055				

QTY	REF	REV	U/M	DWG SIZE	PART NO	DESCRIPTION	ITEM NO	
129							129	
128							128	
127							127	
2	2	2	-	C	6-354779-0	PIN, WIRE DISC (.3290)A	126	
1	1	1	-	A	986950-1	WASHER, FLAT PRECISION	125	
REF	REF	REF	-	A	21045-3	RING,RET "C"(Ø.187)FD FING PIN	124	
123							123	
REF	REF	REF	-	A	5-21028-1	PIN,SLT SPR(Ø.125x.50)ADJ ROD	122	
2	2	2	-	A	4-21028-0	PIN,SLT SPR(Ø.093x.75)ST GDE PL	121	
REF	REF	REF	-	A	1-21030-1	PIN,DOWEL(Ø.187x.50)LEVER	120	
REF	REF	REF	-	A	1-21030-6	PIN,DOWEL(Ø.187x1.25)HOUSING	119	
118							118	
2	2	1	-	A	21024-5	WASHER, LOCK(#10)ADJ BLOCK	117	
REF	REF	REF	-	A	21024-5	WASHER,LOCK(#10)ADJ PLATE	116	
REF	REF	REF	-	A	21024-5	WASHER,LOCK(#10)FEED GDE ROD	115	
2	2	2	-	A	21024-2	WASHER,LOCK(#4)FRONT STP GUIDE	114	
113							113	
2	2	2	-	A	21024-4	WASHER,LOCK(#8)STRIPPER	111	
REF	REF	REF	-	A	21899-4	WASHER,FLAT(Ø5/16)SCREW ADJ	110	
1	1	1	-	A	21899-2	WASHER,FLAT(NO.10)LUB ASSY	109	
108							108	
REF	REF	REF	-	A	21018-5	NUT,HEX(6-32)FEED ADJ	107	
1	1	1	-	A	2-21008-1	SCR,SKT SET(4-40x.25)HOLD DOWN	106	
105							105	
104							104	
1	1	1	-	A	21009-2	SCR,SKT SET(1/4-20x.25 LW)RAM	103	
2	2	2	-	A	21017-2	SCR,DRIVE(#2x.19)ID PLATE	102	
REF	REF	REF	-	A	6-23715-5	SCR,PAN HD(6-32x1.50)FEED ADJ	101	
1	1	1	-	B	461264-1	PLATE, IDENTIFICATION	100	
2	2	2	-	A	5-21006-6	SCR,SET(10-32x.75)DRAG	99	
1	1	1	-	A	22733-8	SCR,BHC(8-32x.38 LW)ANVIL	98	
REF	REF	REF	-	A	2-21002-9	SCR,BHC(10-32x.75)CAP	97	
REF	REF	REF	-	A	2-22733-8	SCR,BHC(1/4-20x.62)HOUSING	96	
REF	REF	REF	-	A	2-21002-7	SCR,BHC(10-32x.50)SG ADJ BLOCK	95	
6	6	6	-	A	2-21002-2	SCR,BHC(8-32x.50)TERM H DWN	94	
93							93	
92							92	
91							91	
1	1	1	-	A	1-21002-7	SCR,BHC(6-32x.38)CAM	90	
89							89	
88							88	
2	2	2	-	A	9-21002-6	SCR,BHC(8-32x.88)DEP-HOLD	87	
1	1	1	-	A	2-22603-0	SCR,HEX HD(8-32x.31)FEED FINGER	86	
2	2	2	-	A	1-21000-3	SCR,SHC(4-40x.25)F ST GUIDE	85	
1	1	1	-	A	2-21000-7	SCR,SHC(8-32x.50)STRIPPER	84	
REF	REF	REF	-	A	3-21000-7	SCR,SHC(10-32x.75)FEED ROD GD	83	
REF	REF	REF	-	A	3-21000-6	SCR,SHC(10-32x.62)FD ADJ BLK	82	
REF	REF	REF	-	A	3-21000-4	SCR,SHC(10-32x.38)SG ADJ BL	81	
REF	REF	REF	-	A	3-21000-4	SCR,SHC(10-32x.38)PIVOT BLK	80	
79							79	
-	REF	-	-	B	455749-1	GUARD, WINDOW	79	
REF	-	-	-	B	679532-1	INSERT, GUARD	78	
1	1	1	-	C	1-465184-0	LUBRICATOR ASSY	77	
76							76	
75							75	
1	1	1	-	A	690603-1	SPRING, ASSIST	74	
1	1	1	-	A	23030-1	SCR,SHC(6-32x.25 SL)INS DISC	73	
REF	REF	REF	-	A	458109-1	WASHER, SPECIAL	72	
REF	REF	REF	-	A	690517-1	SPACER	71	
71							71	
QTY REOD PER ASSY	PARTS LIST							

QTY	REF	REV	U/M	DWG SIZE	PART NO	DESCRIPTION	ITEM NO
1	1	1	-	B	690602-6	CAM, PRE-FEED 1 5/8 ST	49
1	1	1	-	B	690602-5	CAM, PRE-FEED 1 1/8 ST	48
-	-	-	-	B	690501-4	CAM, POST-FEED 1 5/8 ST	47
1	1	1	-	B	459456-1	APPLICATOR, BASIC (SUBASSY)	46
1	1	1	-	A	690191-1	PLUG, NYLON	45
1	1	1	-	C	455673-1	RAM	44
1	1	1	-	A	690125-1	WASHER, LAMINATED	43
1	1	1	-	A	690124-1	WASHER, RAM	42
1	1	1	-	A	7-21002-9	BOLT, CRIMPER(5/16x1.00)	41
1	1	1	-	A	23241-6	BALL, STEEL	40
1	1	1	-	A	690170-1	SPRING, COMPRESSION	39
1	1	1	-	C	690142-1	DISC, INSULATION	38
1	1	1	-	D	354777-1	WIRE DISC, PLASTIC	37
1	1	1	-	A	22480-5	WASHER, SPRING	36
1	1	1	-	B	690212-1	POST, RAM	35
1	1	1	-	B	456059-1	SUPPORT, TERMINAL	34
REF	REF	REF	-	D	455675-1	PLATE, BASE	33
1	1	1	-	A	690432-3	SCREW, ADJUSTMENT	32
REF	REF	REF	-	B	455689-1	BLOCK, STRIP GUIDE ADJ	30
1	1	1	-	C	455671-1	PLATE, STRIP GUIDE	29
1	1	1	-	C	1-455888-0	SPACER, FRONT SHEAR DEP	28
2	2	2	-	A	1-22284-0	SPRING, DRAG	27
1	1	1	-	B	690546-1	LEVER, DRAG RELEASE	26
1	1	1	-	B	240792-5	DRAG, TERMINAL	25
1	1	1	-	D	5-690504-9	GUIDE, STRIP (REAR)	24
1	1	1	-	A	690438-1	GUIDE, STRIP (FRONT)	23
-	-	-	-	B	458230-2	STRIPPER	22
REF	REF	REF	-	A	4-22284-9	SPRING, FEED RETURN	21
20							20
1	1	1	-	B	691353-1	STRIPPER	19
1	1	1	-	B	456875-1	HOLDER, TERMINAL	18
17							17
1	1	1	-	B	691667-1	GUARD, CHIP (FRONT)	16
2	2	2	-	A	3-22278-0	SPRING, HOLD DOWN	15
1	1	1	-	B	455052-1	CARRIER,HOLD DOWN	14
1	1	1	-	A	455053-1	PLATE,RETAINING	13
1	1	1	-	B	3-22280-3	SPRING, SHEAR	12
1	1	1	-	B	690461-1	STOP, SHEAR	11
1	1	1	-	C	690459-1	HOLDER, SHEAR (FRONT)	10
1	1	1	-	C	454276-1	SHEAR, FLOAT (FRONT)	9
1	1	1	-	C	2-690512-7	ANVIL	8
1	1	1	-	C	240641-9	SPACER, DEPRESSOR (REAR)	7
6							6
1	1	1	-	C	455889-9	DEPRESSOR, SHEAR (FRONT)	5
1	1	1	-	B	238011-6	SPACER, BLOCK CRIMPER	4
1	1	1	-	C	5-456134-2	CRIMPER, INSULATION	3
1	1	1	-	C	455888-1	SPACER, CRIMPER	2
1	1	1	-	C	3-456402-2	CRIMPER, WIRE	1
-3	-2	-1	U/M	DWG SIZE	PART NO	DESCRIPTION	ITEM NO

DIMENSIONS IN INCHES. DO NOT SCALE PRINT.		MATERIAL		FINISH	
L	ECR-11-016671	RS	08-11		
K	ECR-06-023391	GB	10-06		
J	ECR-06-019020	TE	8-06		
H2	0150-0110-00	TE	FEB00		
H1	ECN 0150-9606-99	DS	9-99		
H	0150-6507-95	MO	11-95		
G	0150-6156-95	CE	5-95		
P/F	LTR	REVISION RECORD	APP	DATE	