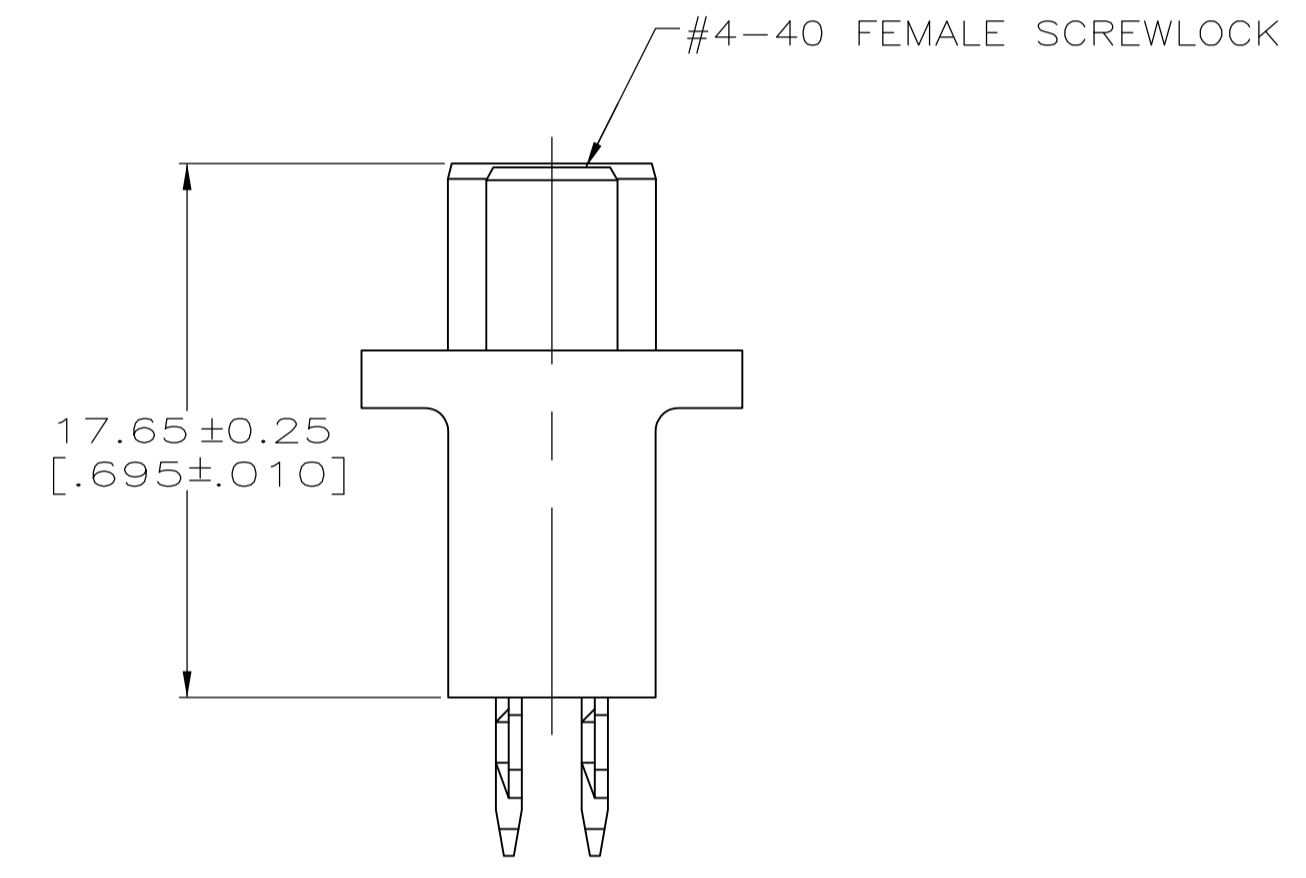
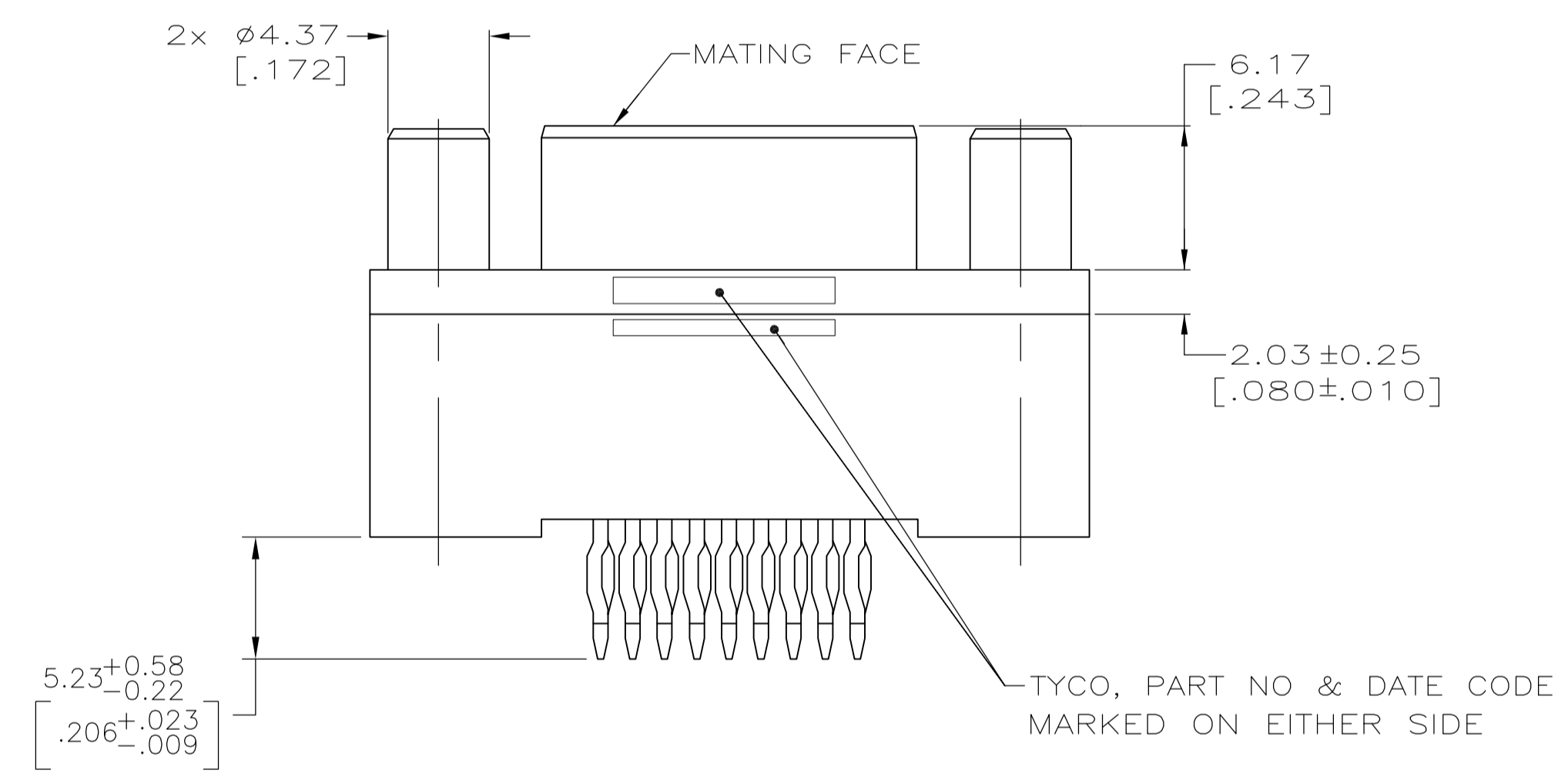
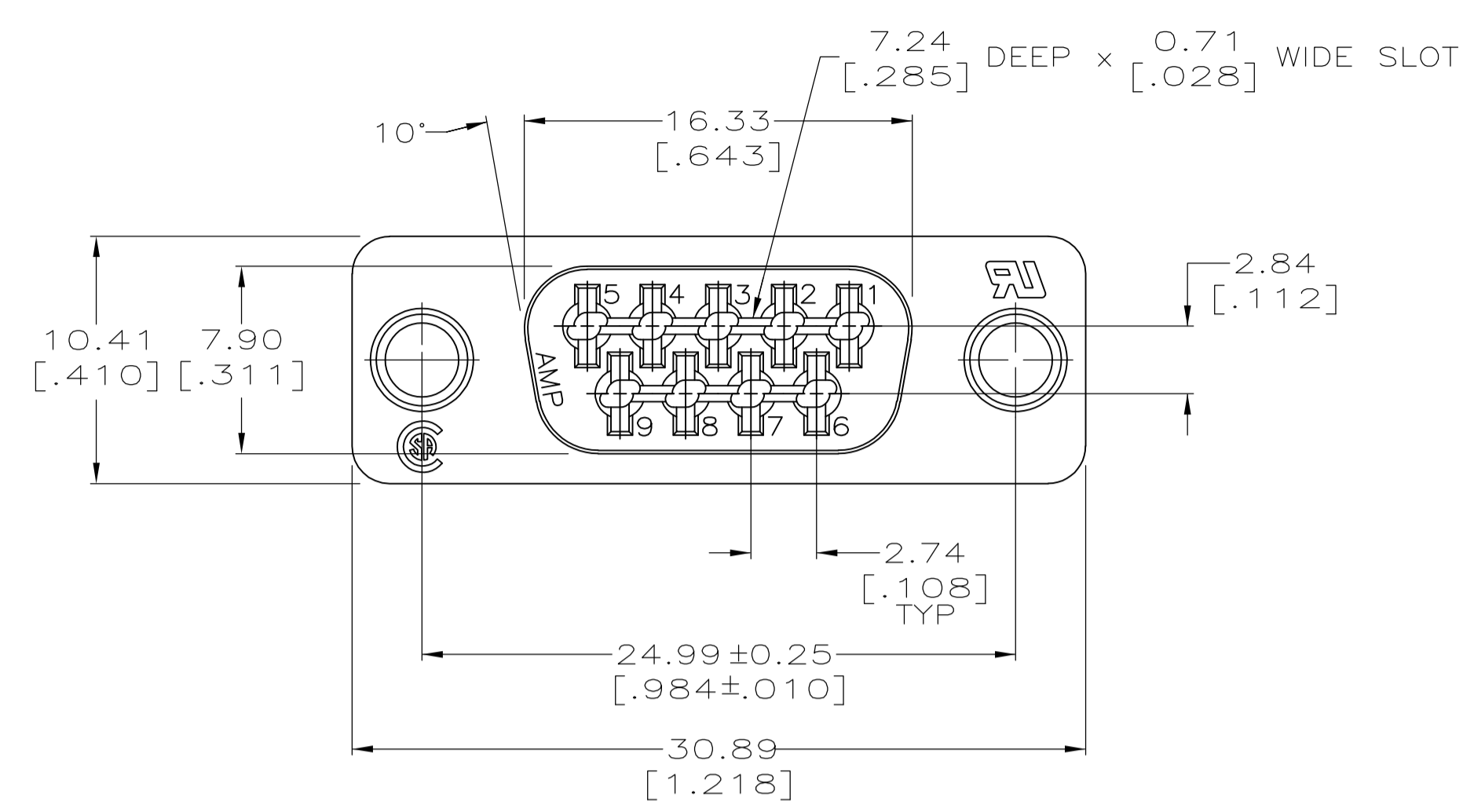


LOC		DIST		REVISIONS			
GP	00	P	LTR	DESCRIPTION	DATE	DWN	APVD
C		REVISED PER	ECO-12-000090		25JAN2012	CJV	SLB



- 1 FOR USE WITH 2.36 (.093) MINIMUM THICK PRINTED CIRCUIT BOARD. REFER TO APPLICATION SPECIFICATION FOR PRINTED CIRCUIT BOARD LAYOUT DIMENSIONS AND FINISH RECOMMENDATIONS.
- 2 MATERIAL:
HOUSING: GLASS-FILLED NYLON OR POLYESTER, UL94V-0 RATED, COLOR:BLACK.
CONTACTS: COPPER ALLOY.
SCREWLOCKS: BRASS.
- 3 SCREWLOCKS: 0.00127[.000050] MIN NICKEL OVER COPPER FLASH.
- 4 CONTACTS:
0.76 MICROMETERS [.000030]MIN GOLD IN MATING AREA.
2.54 MICROMETERS [.000100]MIN TIN ON COMPLIANT PIN.
ALL OVER 1.27 MICROMETERS [.000050]MIN NICKEL.
OR
GOLD FLASH OVER PALLADIUM NICKEL.
0.76 MICROMETERS [.000030]MIN TOTAL IN MATING AREA.
2.54 MICROMETERS [.000100]MIN TIN ON COMPLIANT PIN.
ALL OVER 1.27 MICROMETERS [.000050]MIN NICKEL.

5745455-2
PART NUMBER

THIS DRAWING IS A CONTROLLED DOCUMENT.		DWG: G. PETERS/DTI 19MAR06	STE TE Connectivity	
DIMENSIONS: mm [INCHES]		CHK: S. BOLASH 19MAR06	NAME: RECEPTACLE ASSEMBLY, ACTION-PIN, 9 POSITION, HD-20, AMPLIMITE	
TOLERANCES UNLESS OTHERWISE SPECIFIED:		APP'D: M. WALMSLEY 19MAR06	PRODUCT SPEC: 108-40014	
0. PLC ± -		APPLICATION SPEC: 114-40026 1		
1. PLC ± -		SIZE: A1		
2. PLC ± 0.13 [.005]		CAGE CODE: 00779		
3. PLC ± -		DRAWING NO: 5745455		
4. PLC ± -		RESTRICTED TO: -		
ANGLES ± -		WEIGHT: -		
MATERIAL: 2		CUSTOMER DRAWING		
FINISH: 3 4		SCALE: 4:1		
		SHEET 1 OF 1		
		REV C		