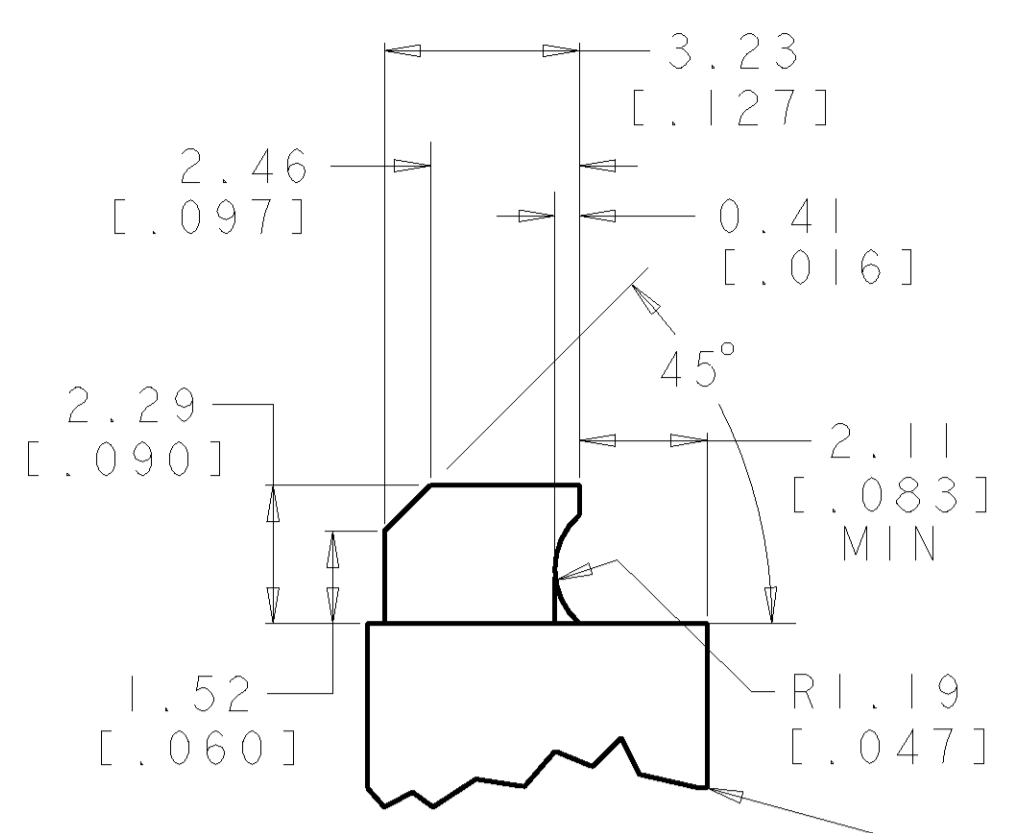
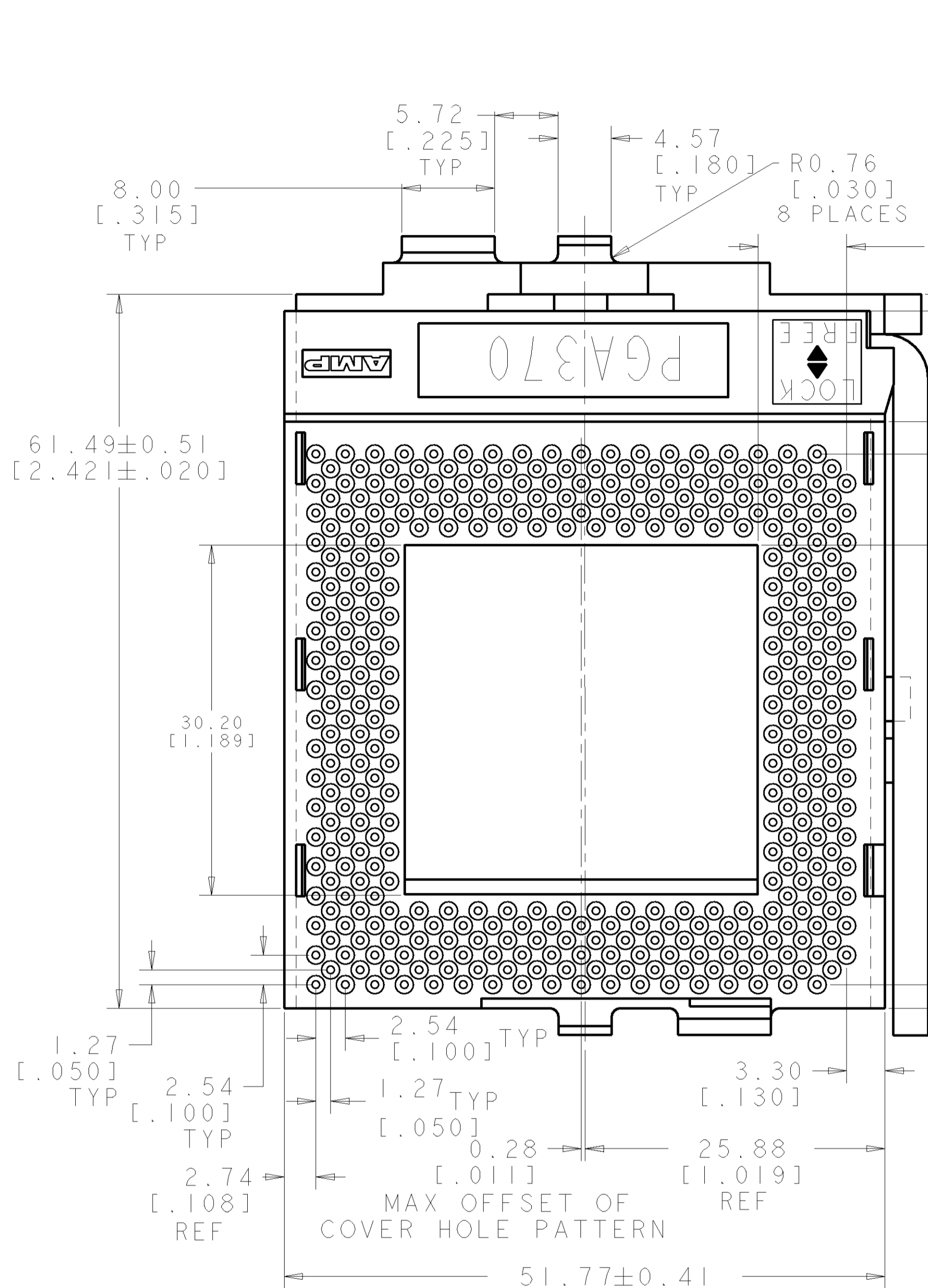
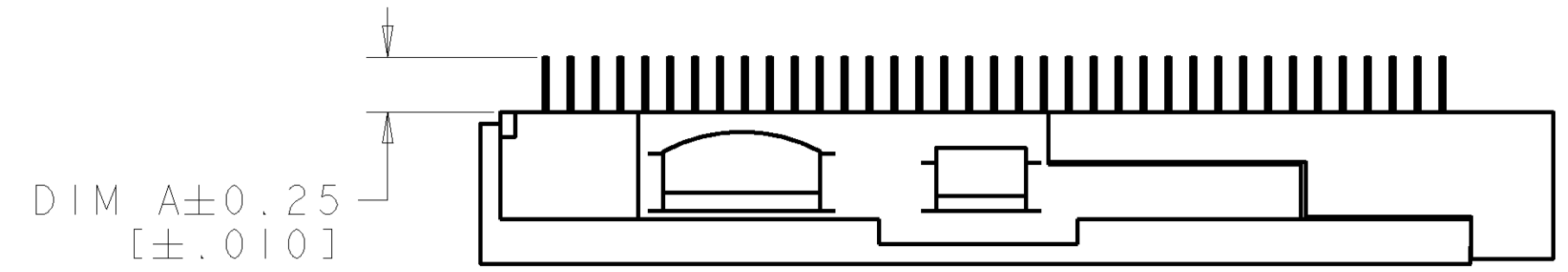


- ① MATERIAL: HOUSING AND COVER ARE HIGH TEMPERATURE THERMOPLASTIC, LIQUID CRYSTAL POLYMER (LCP), COLOR: NATURAL, FOR 1-916783-5 AND 3-916783-5, COVER IS BLACK. LP SLZ LEVER MATERIAL IS STAINLESS STEEL. CONTACT MATERIAL IS COPPER ALLOY.
  - ② FINISH: CONTACT AREA-GOLD THICKNESS PER TABLE OVER 0.00381[.000150] MIN. THICK NICKEL PLATE. SOLDERTAIL- 0.00381-0.00635 [.000150-.000250] MIN. THICK TIN-LEAD OVER 0.00127[.000050] MIN. THICK NICKEL PLATE. CONTACT AREA SHALL BE FREE OF LUBRICANT.
  - ③ PRODUCT LINE: LOW PROFILE SINGLE LEVER ZIF (LP SLZ). PRODUCT SPEC 108-1572, APPLICATION SPEC 114-1100.
  - ④ PRODUCT LINE: LOW PROFILE SCREWDRIVER ACTUATED ZIF (LP SAZ). PRODUCT SPEC 108-1572-1, APPLICATION SPEC 114-1105, INSTRUCTION SHEET 408-3355.
  - ⑤ PRODUCT CONFORMS TO NOTE ④ EXCEPT DURABILITY PER PRODUCT SPECIFICATION IS 20 CYCLES AND SMALL INDENTATIONS IN SCREWDRIVER SLOTS PERMISSIBLE AFTER ACTUATION.
- 6 DATE CODE MAY VARY IN LOCATION AND FORMAT DEPENDING ON MANUFACTURING LOCATION.

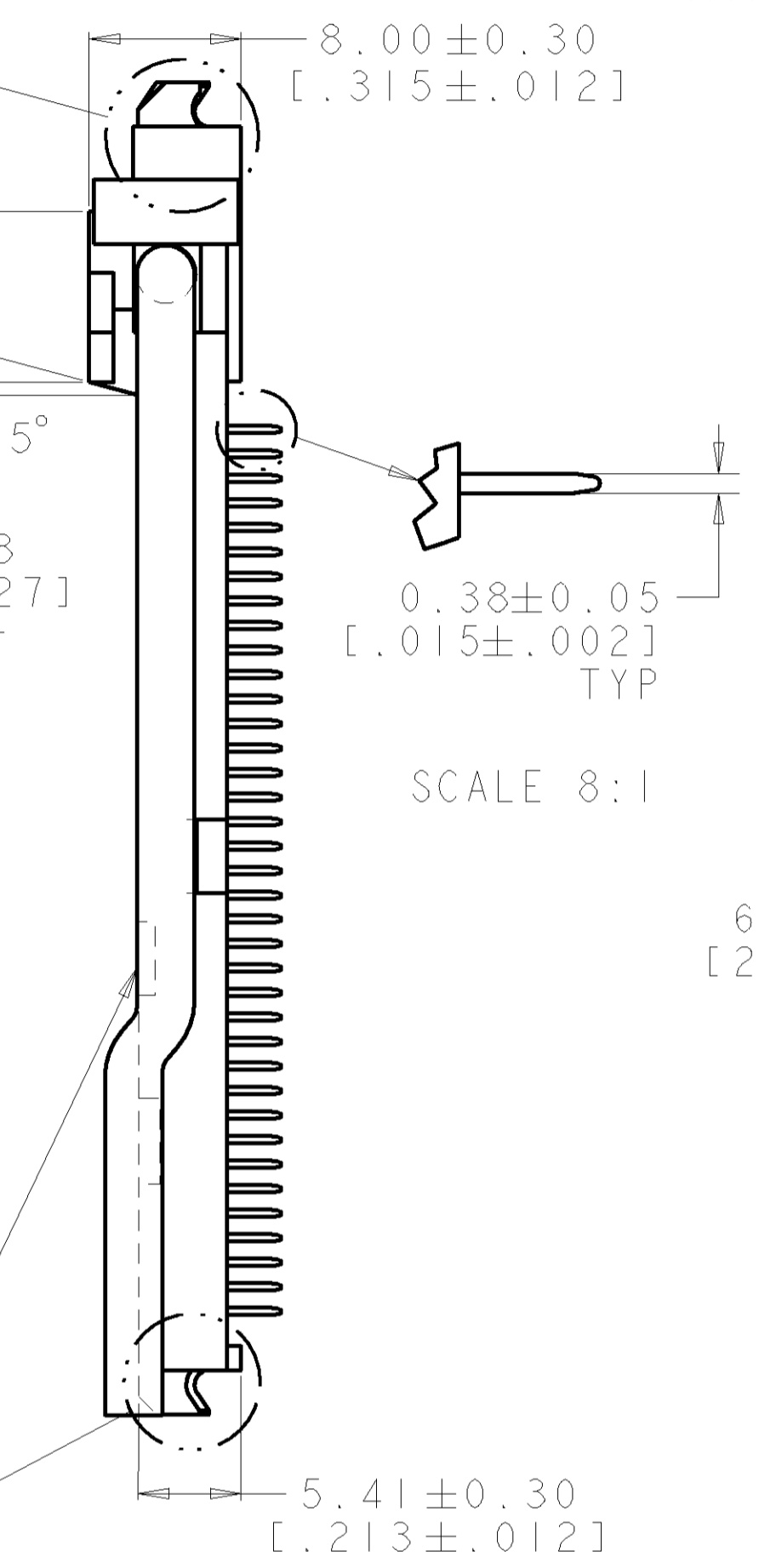
DRAWING	TRAY PACKAGED NUMBER OF SOCKETS PER SHIPPING BOX	POSITIONS	SOLDERTAIL LENGTH DIM A±0.25 [±.010]	MIN GOLD THICKNESS 2?	FC-PGA/PPGA	HANDLE STYLE	PRODUCT LINE	PART NUMBER
SEE SHEET 6	160	370	2.03 [.080]	0.00076 [.000030]	FLIP CHIP PGA (FC-PGA) OR PPGA	-	LP SAZ ④ ⑤	6-916783-1
SEE SHEET 5	160	370	2.79 [.110]	0.00038 [.000015]	PLASTIC PGA (PPGA)	-	LP SAZ ④	5-916783-6
SEE SHEET 5	160	370	2.36 [.093]	0.00038 [.000015]	PLASTIC PGA (PPGA)	-	LP SAZ ④	5-916783-5
SEE SHEET 5	160	370	2.36 [.093]	0.00076 [.000030]	PLASTIC PGA (PPGA)	-	LP SAZ ④	5-916783-2
SEE SHEET 4	160	370	3.56 [.140]	0.00038 [.000015]	PLASTIC PGA (PPGA)	-	LP SAZ ④	4-916783-7
SEE SHEET 4	160	370	2.79 [.110]	0.00038 [.000015]	PLASTIC PGA (PPGA)	-	LP SAZ ④	4-916783-6
SEE SHEET 4	160	370	2.36 [.093]	0.00038 [.000015]	PLASTIC PGA (PPGA)	-	LP SAZ ④	4-916783-5
SEE SHEET 4	160	370	2.36 [.093]	0.00076 [.000030]	PLASTIC PGA (PPGA)	-	LP SAZ ④	4-916783-2
SEE SHEET 3	90	371	2.36 [.093]	0.00038 [.000015]	PLASTIC PGA (PPGA)	LOW PROFILE	LP SLZ ③	3-916783-5
SEE SHEET 3	90	370	2.36 [.093]	FLASH	FLIP CHIP PGA (FC-PGA) OR PPGA	LOW PROFILE	LP SLZ ③	1-916783-8
SEE SHEET 3	60	370	2.36 [.093]	0.00038 [.000015]	FLIP CHIP PGA (FC-PGA) OR PPGA	JOG	LP SLZ ③	1-916783-5
SEE SHEET 2	90	370	2.79 [.110]	FLASH	FLIP CHIP PGA (FC-PGA) OR PPGA	LOW PROFILE	LP SLZ ③	2-916783-9
SEE SHEET 2	90	370	2.36 [.093]	FLASH	FLIP CHIP PGA (FC-PGA) OR PPGA	LOW PROFILE	LP SLZ ③	2-916783-8
SEE SHEET 2	90	370	2.03 [.080]	FLASH	FLIP CHIP PGA (FC-PGA) OR PPGA	LOW PROFILE	LP SLZ ③	2-916783-7
SEE SHEET 2	90	370	2.79 [.110]	0.00038 [.000015]	FLIP CHIP PGA (FC-PGA) OR PPGA	LOW PROFILE	LP SLZ ③	2-916783-6
SEE SHEET 2	90	370	2.36 [.093]	0.00038 [.000015]	FLIP CHIP PGA (FC-PGA) OR PPGA	LOW PROFILE	LP SLZ ③	2-916783-5
RESTRICTED TO INTEL SEE SHEET 2	90	370	2.03 [.080]	0.00038 [.000015]	FLIP CHIP PGA (FC-PGA) OR PPGA	LOW PROFILE	LP SLZ ③	2-916783-4
SEE SHEET 2	90	370	2.79 [.110]	0.00076 [.000030]	FLIP CHIP PGA (FC-PGA) OR PPGA	LOW PROFILE	LP SLZ ③	2-916783-3
SEE SHEET 2	90	370	2.36 [.093]	0.00076 [.000030]	FLIP CHIP PGA (FC-PGA) OR PPGA	LOW PROFILE	LP SLZ ③	2-916783-2
SEE SHEET 2	90	370	2.03 [.080]	0.00076 [.000030]	FLIP CHIP PGA (FC-PGA) OR PPGA	LOW PROFILE	LP SLZ ③	2-916783-1
SEE SHEET 2	90	370	3.56 [.140]	0.00076 [.000030]	FLIP CHIP PGA (FC-PGA) OR PPGA	LOW PROFILE	LP SLZ ③	2-916783-0
OBSOLETE	-	90	2.79 [.110]	FLASH	PLASTIC PGA (PPGA)	SHORT	LP SLZ ③	916783-9
OBSOLETE	-	90	2.36 [.093]	FLASH	PLASTIC PGA (PPGA)	SHORT	LP SLZ ③	916783-8
OBSOLETE	-	90	2.03 [.080]	FLASH	PLASTIC PGA (PPGA)	SHORT	LP SLZ ③	916783-7
OBSOLETE	-	90	2.79 [.110]	0.00038 [.000015]	PLASTIC PGA (PPGA)	SHORT	LP SLZ ③	916783-6
OBSOLETE	-	90	2.36 [.093]	0.00038 [.000015]	PLASTIC PGA (PPGA)	SHORT	LP SLZ ③	916783-5
OBSOLETE	-	90	2.03 [.080]	0.00038 [.000015]	PLASTIC PGA (PPGA)	SHORT	LP SLZ ③	916783-4
OBSOLETE	-	90	2.79 [.110]	0.00076 [.000030]	PLASTIC PGA (PPGA)	SHORT	LP SLZ ③	916783-3
OBSOLETE	-	90	2.36 [.093]	0.00076 [.000030]	PLASTIC PGA (PPGA)	SHORT	LP SLZ ③	916783-2
OBSOLETE	-	90	2.03 [.080]	0.00076 [.000030]	PLASTIC PGA (PPGA)	SHORT	LP SLZ ③	916783-1

THIS DRAWING IS A CONTROLLED DOCUMENT.		DRW: B. HOLT	11SEP98	<b>AMP</b> AMP MANUFACTURING (SINGAPORE) PTE. LTD.
DIMENSIONS: mm (INCHES)		CHK: B. KUHNLY	11SEP98	
TOLERANCES UNLESS OTHERWISE SPECIFIED:		APVD: S.F. LEONG	NAME: SOCKET ASSEMBLY, LOW PROFILE, ZIF PGA, 19 X 19 GRID	RESTRICTED TO
0 PLC ± 1 PLC ±0.30 [.012] 2 PLC ± 3 PLC ± 4 PLC ± ANGLE ±2° FINISH		PRODUCT SPEC: SEE TABLE	APPLICATION SPEC: SEE TABLE	
MATERIAL: ①	②	WEIGHT:	SIZE: A1	CAGE CODE: 00779
CUSTOMER DRAWING		DRAWING NO: 916783	SCALE: 3:1	SHEET: 1 OF 6

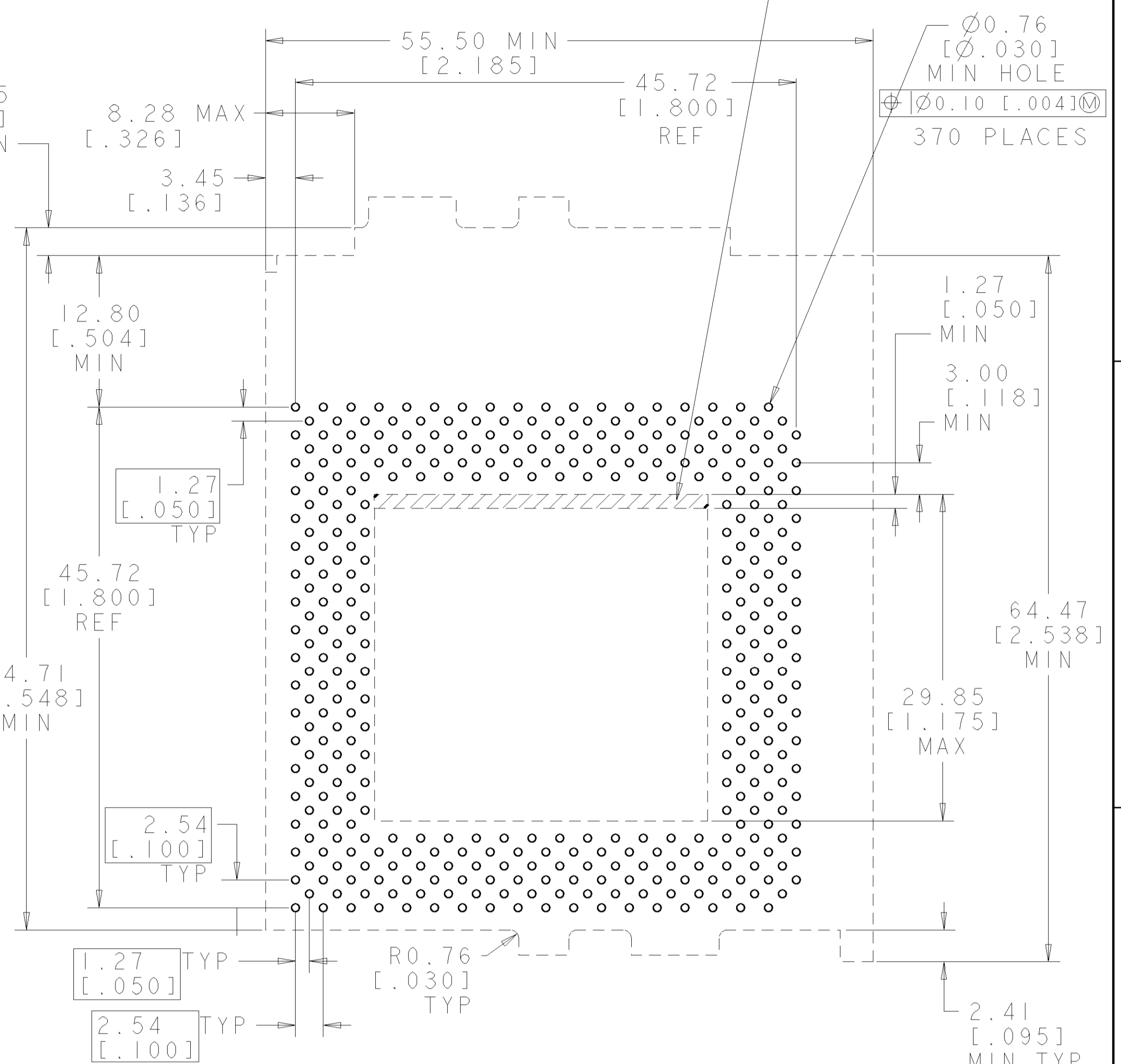
LOC	DATE	DESCRIPTION	BY	CHK	APPD
DY		SEE SHEET 1			



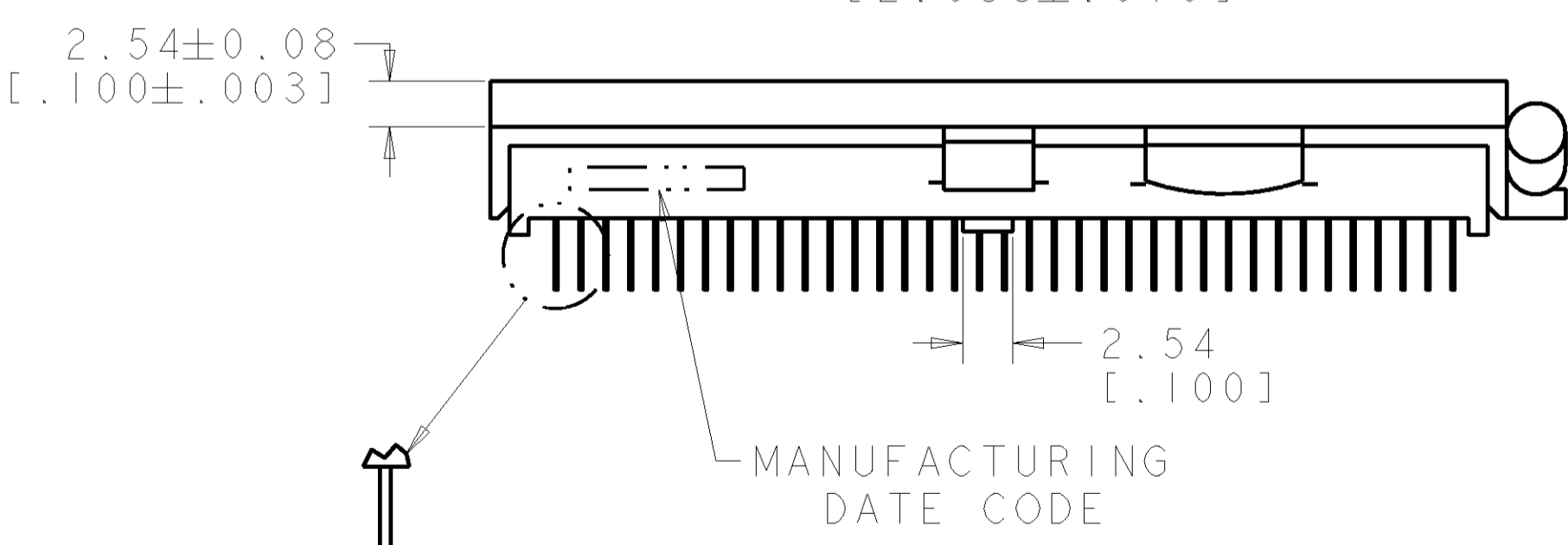
SCALE 8:1 TYP



SCALE 8:1

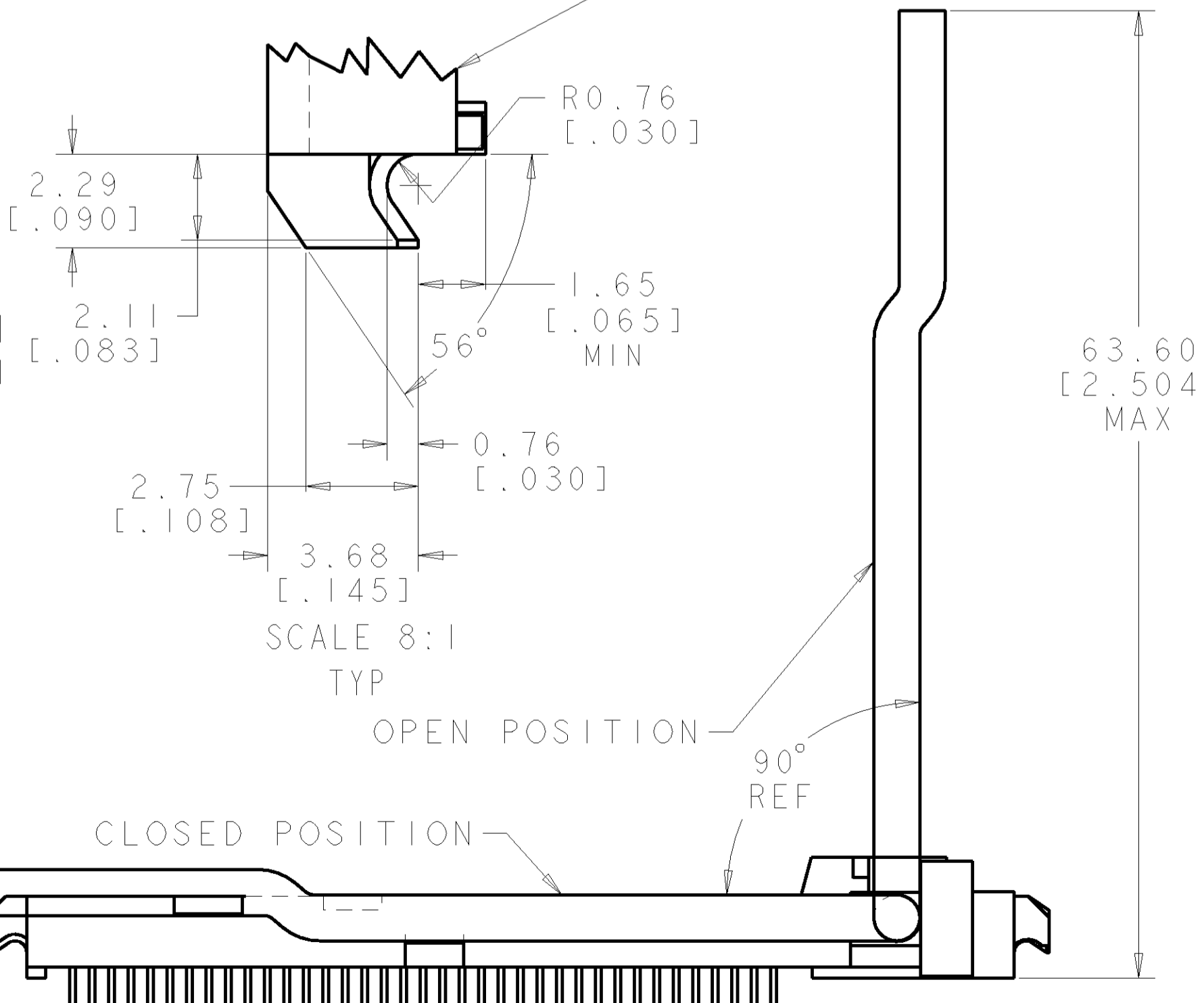


RECOMMENDED PCB HOLE LAYOUT



MANUFACTURING DATE CODE

SCALE 8:1

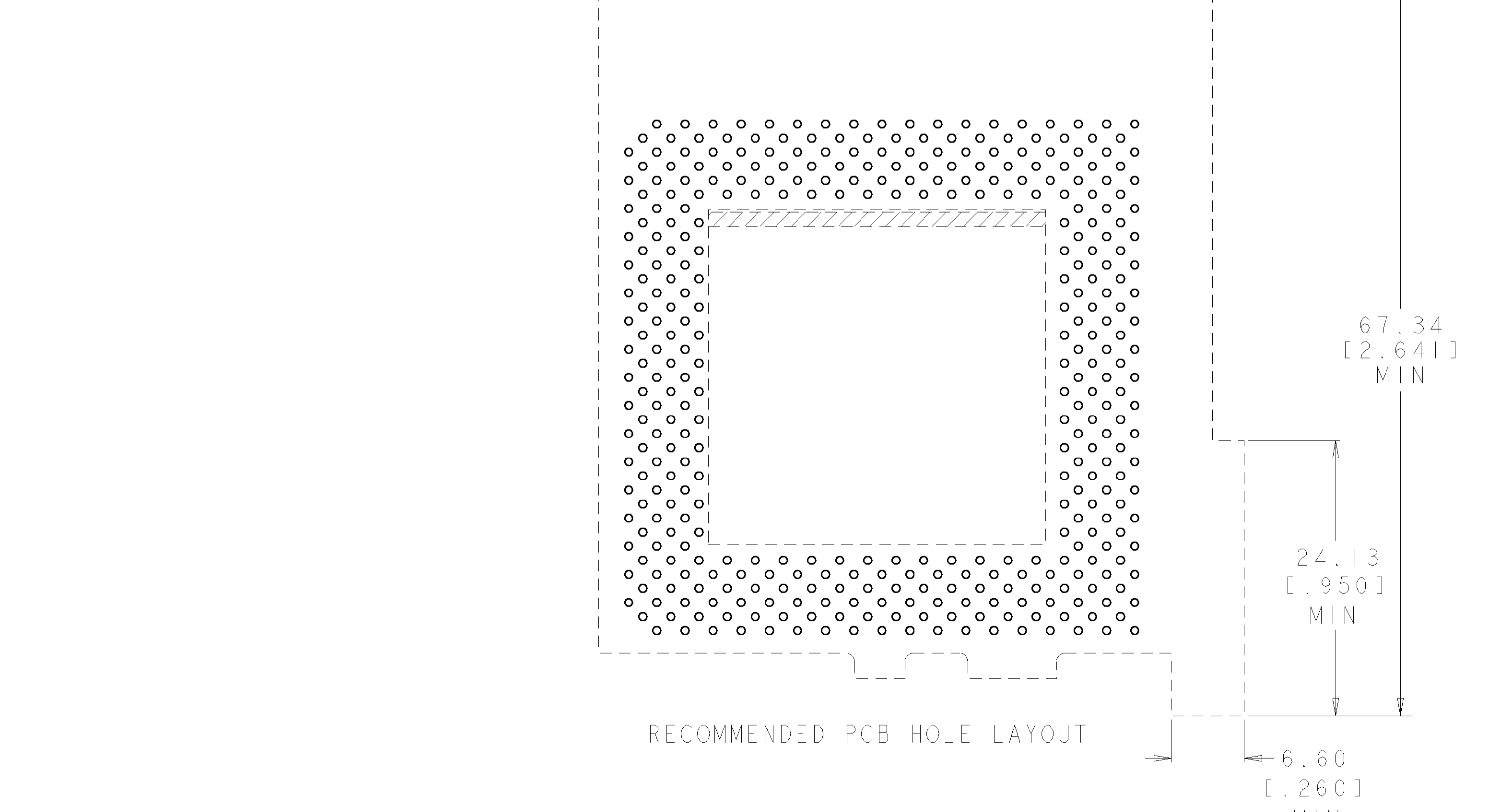
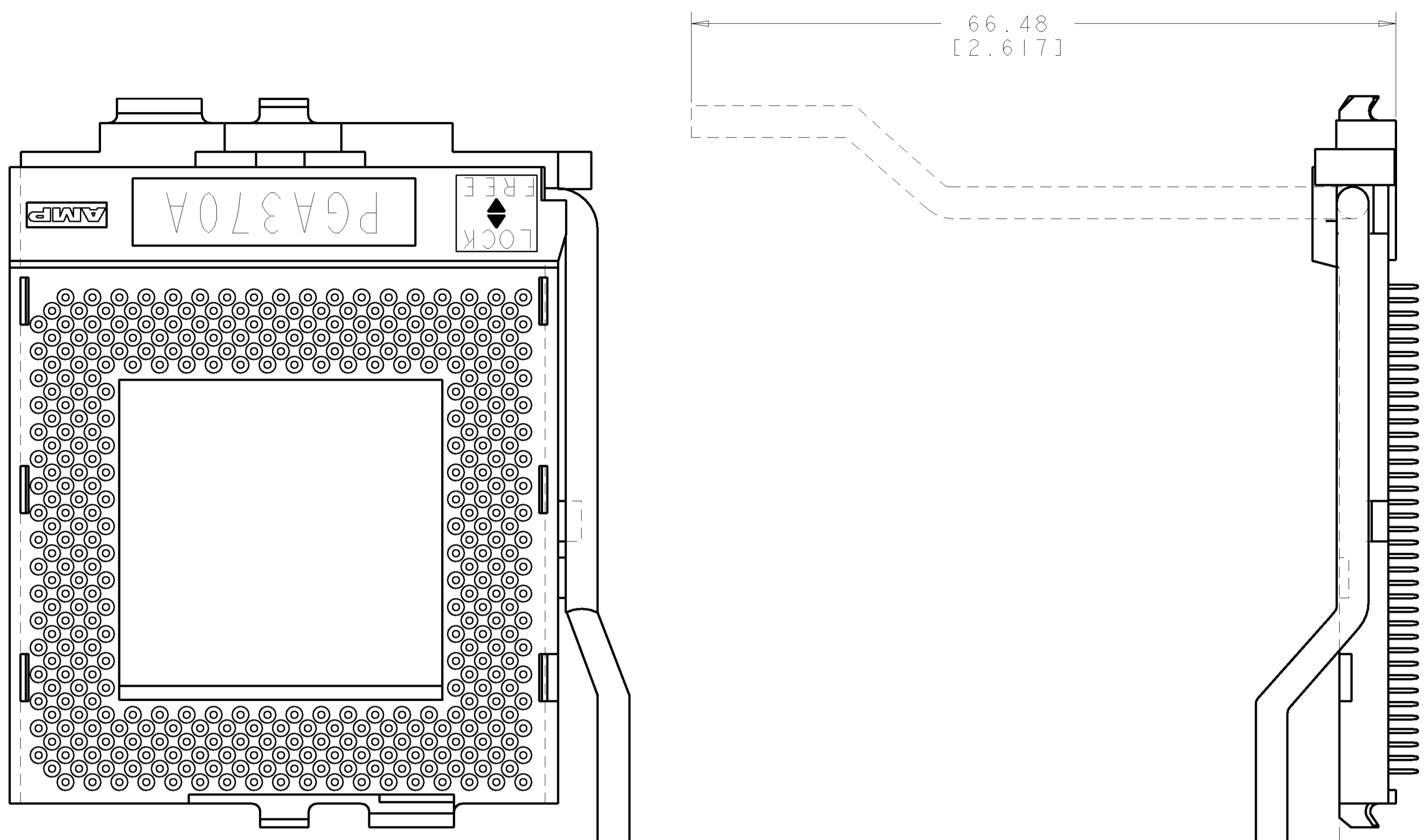


SCALE 8:1 TYP

OPERATION OF CAM ACTUATOR

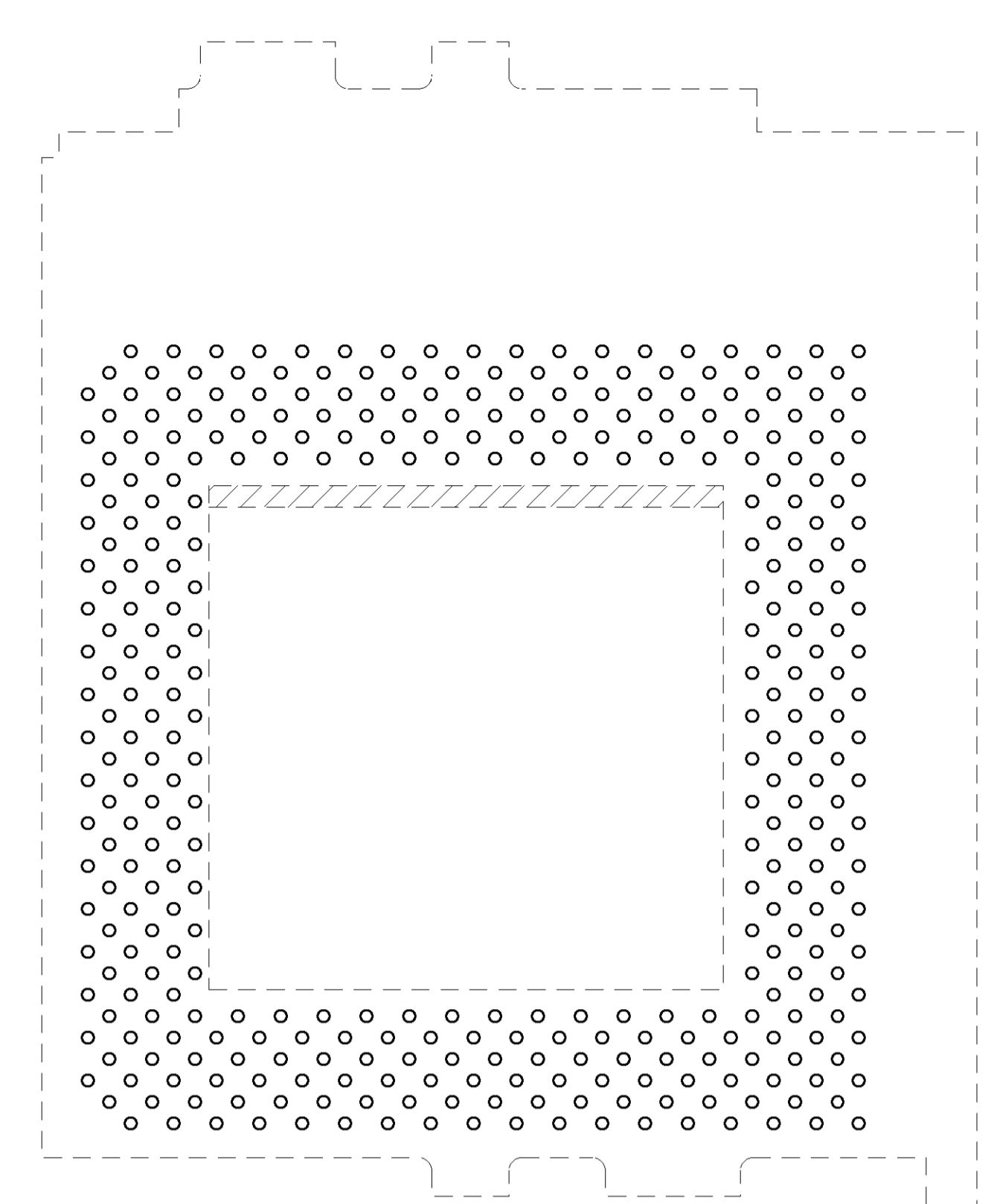
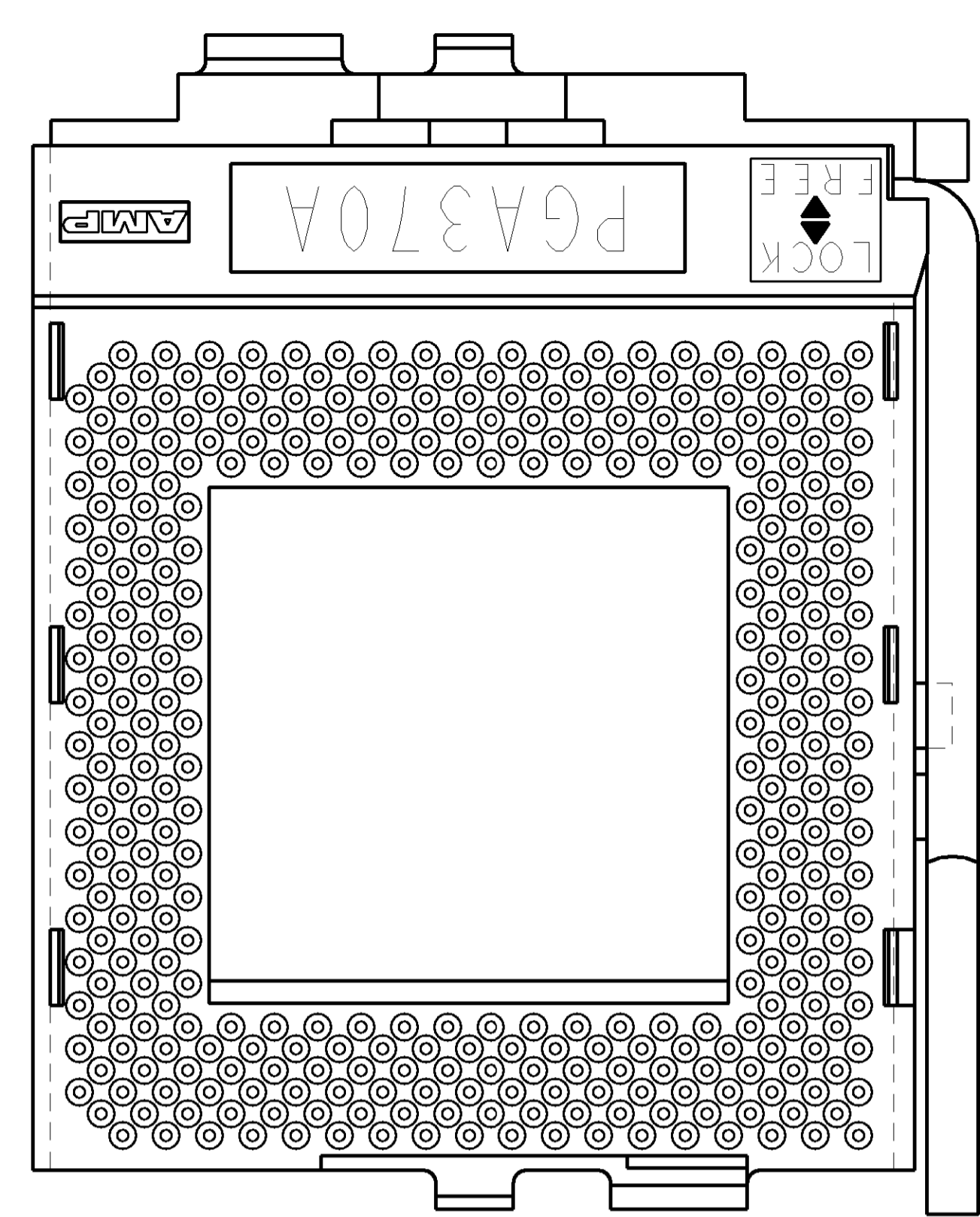
PART NUMBERS 2-916783-1 THRU 2-916783-9

THIS DRAWING IS A CONTROLLED DOCUMENT.		DRW: B. HOLT 13JAN99	AMP MANUFACTURING (SINGAPORE) PTE. LTD.	
DIMENSIONS: mm (INCHES)		CHK: B. KUHNLY 13JAN99	NAME: SOCKET ASSEMBLY, LOW PROFILE, ZIF PGA, 19 X 19 GRID	
TOLERANCES UNLESS OTHERWISE SPECIFIED:		APVD: S.F. LEONG	PRODUCT SPEC: SEE TABLE	
Ø	±		APPLICATION SPEC: SEE TABLE	
PLC	±		SIZE: A1	
PLC	±		CAGE CODE: 00779	
PLC	±		DRAWING NO: 916783	
PLC	±		RESTRICTED TO: -	
ANGLE	±		SCALE: 3:1	
FINISH	±		SHEET: 2 OF 6	
MATERIAL: -		WEIGHT: -		REV: P
CUSTOMER DRAWING				

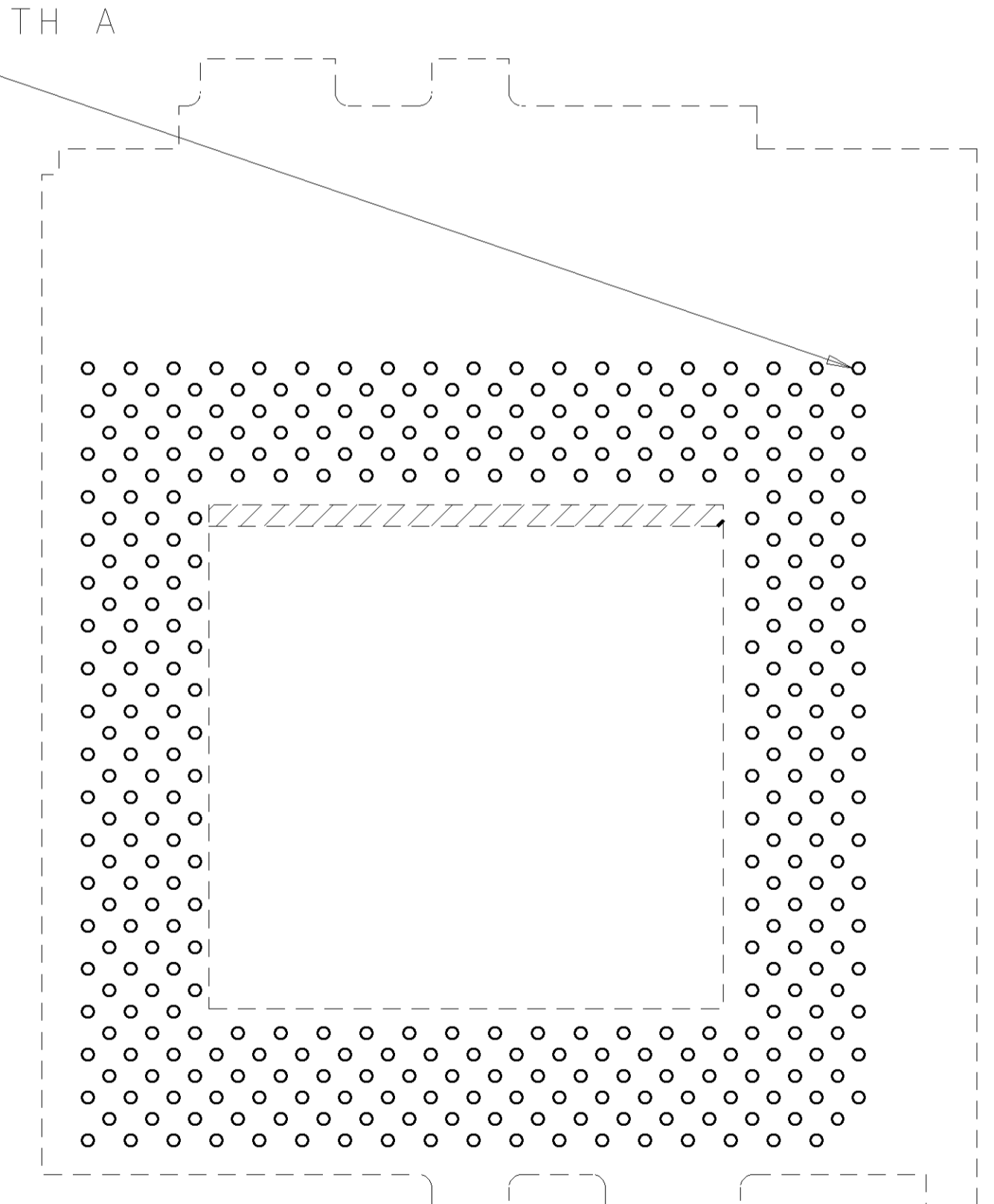
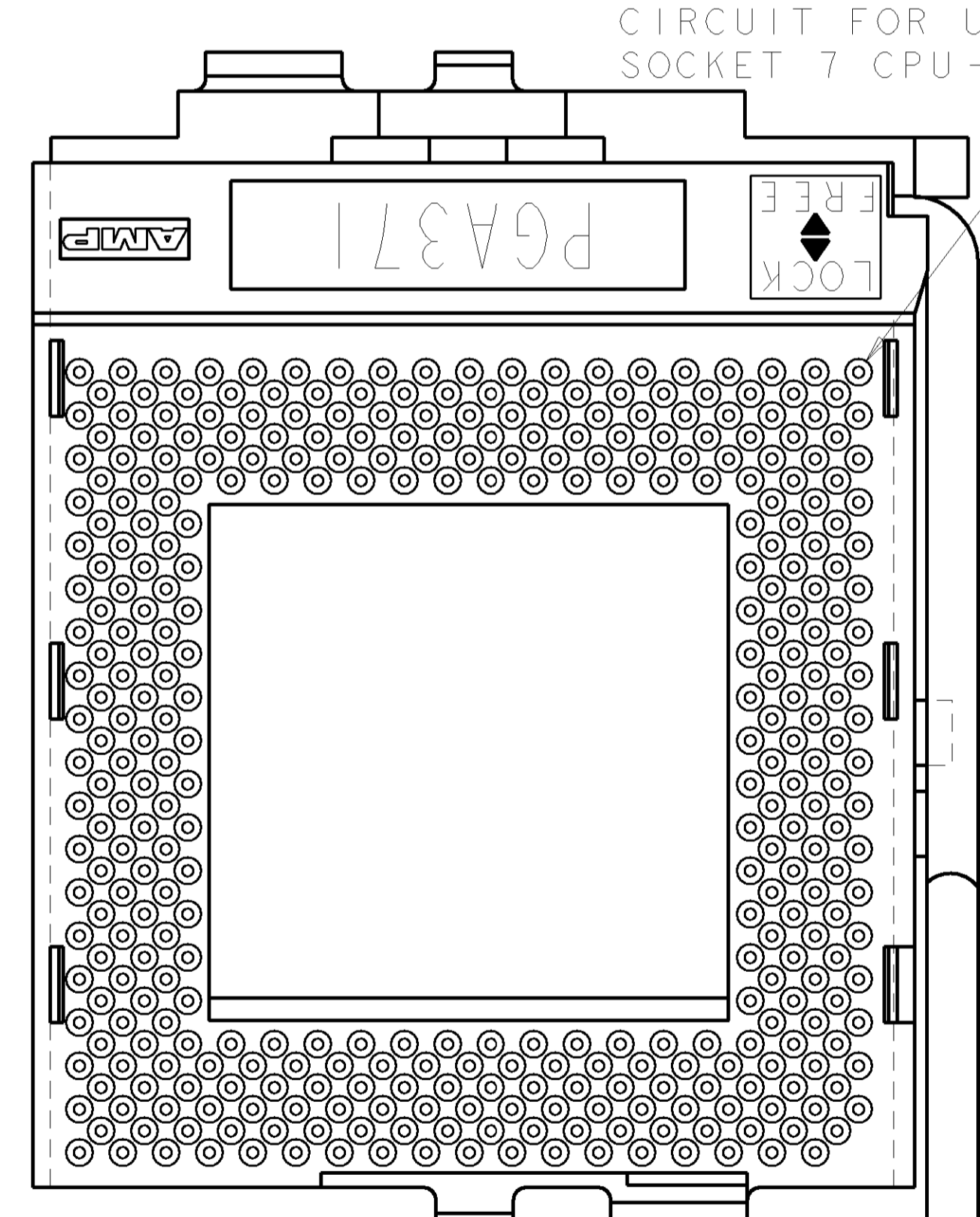


PART NUMBER 1-916783-5  
 EXCEPT ROTATED PATTERN, PGA370A LOGO AND HANDLE, ALL OTHER DETAILS SAME AS ON SHEET 2.

LOC	DISP	REV	DATE	OWN	APPROV
DY		1			
DESCRIPTION					
SEE SHEET 1					



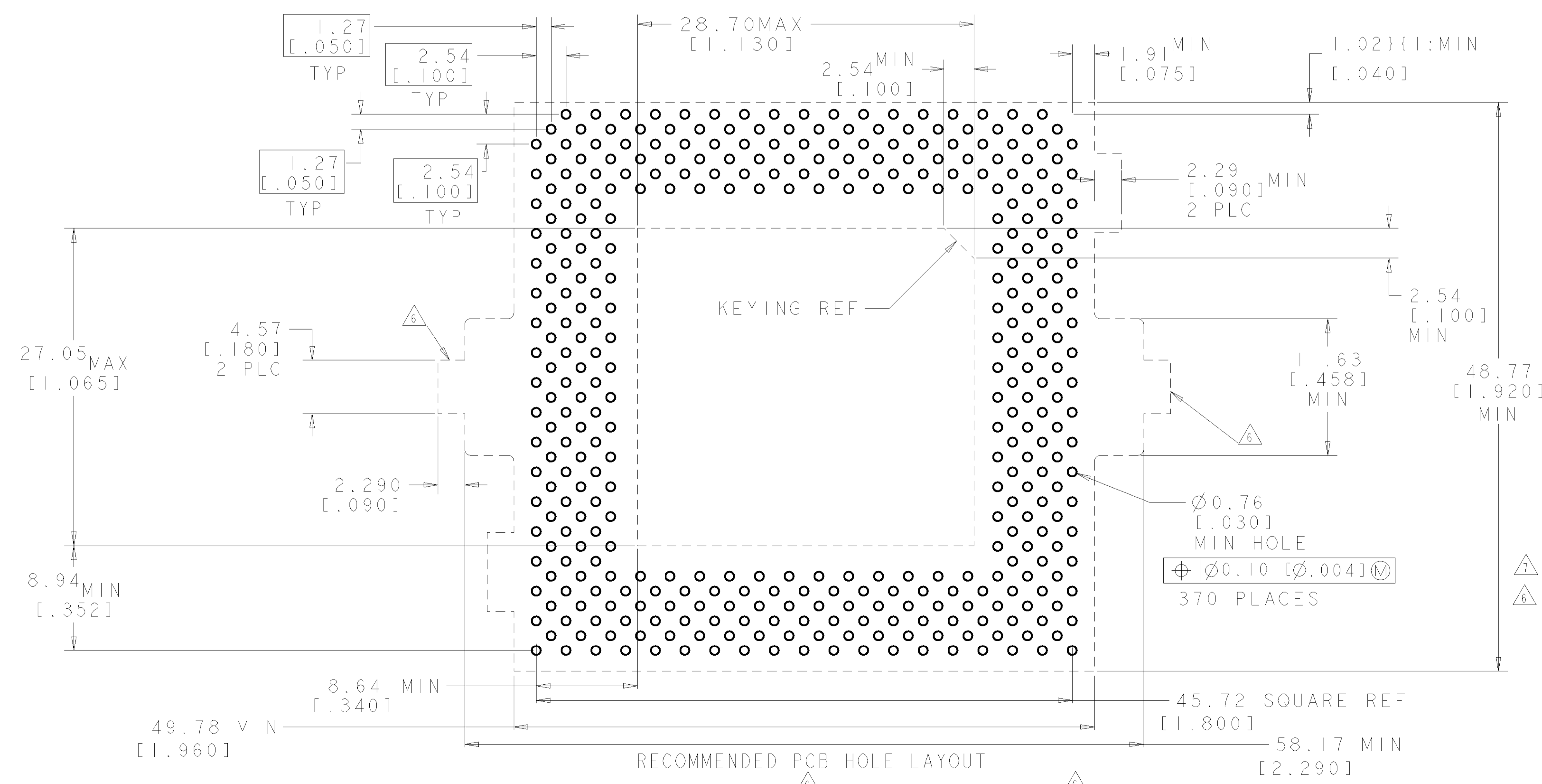
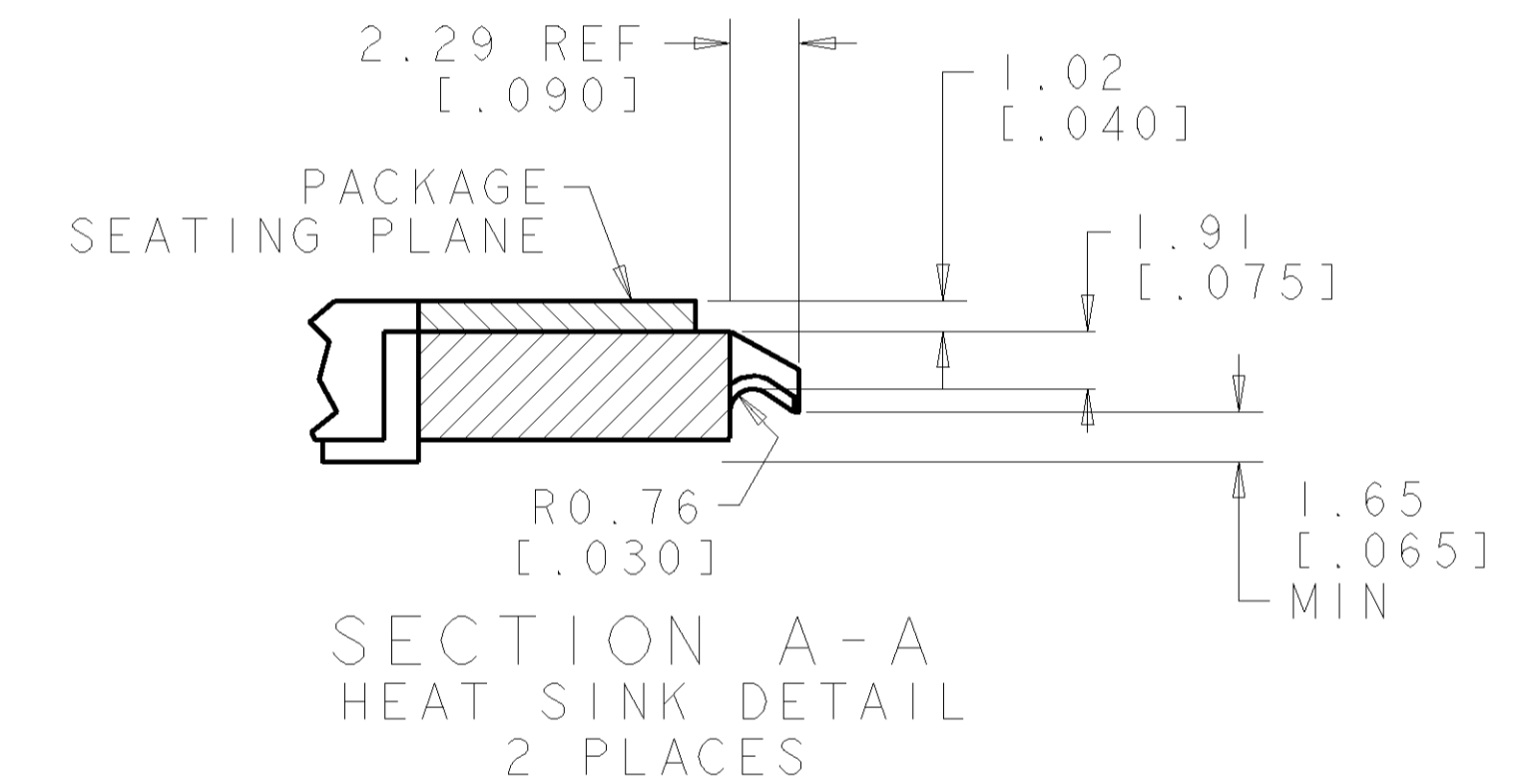
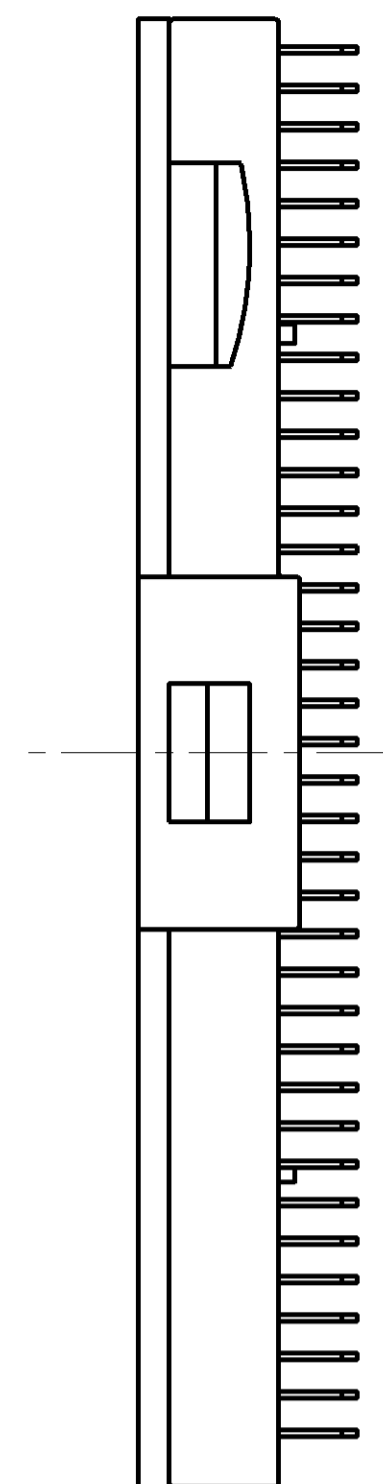
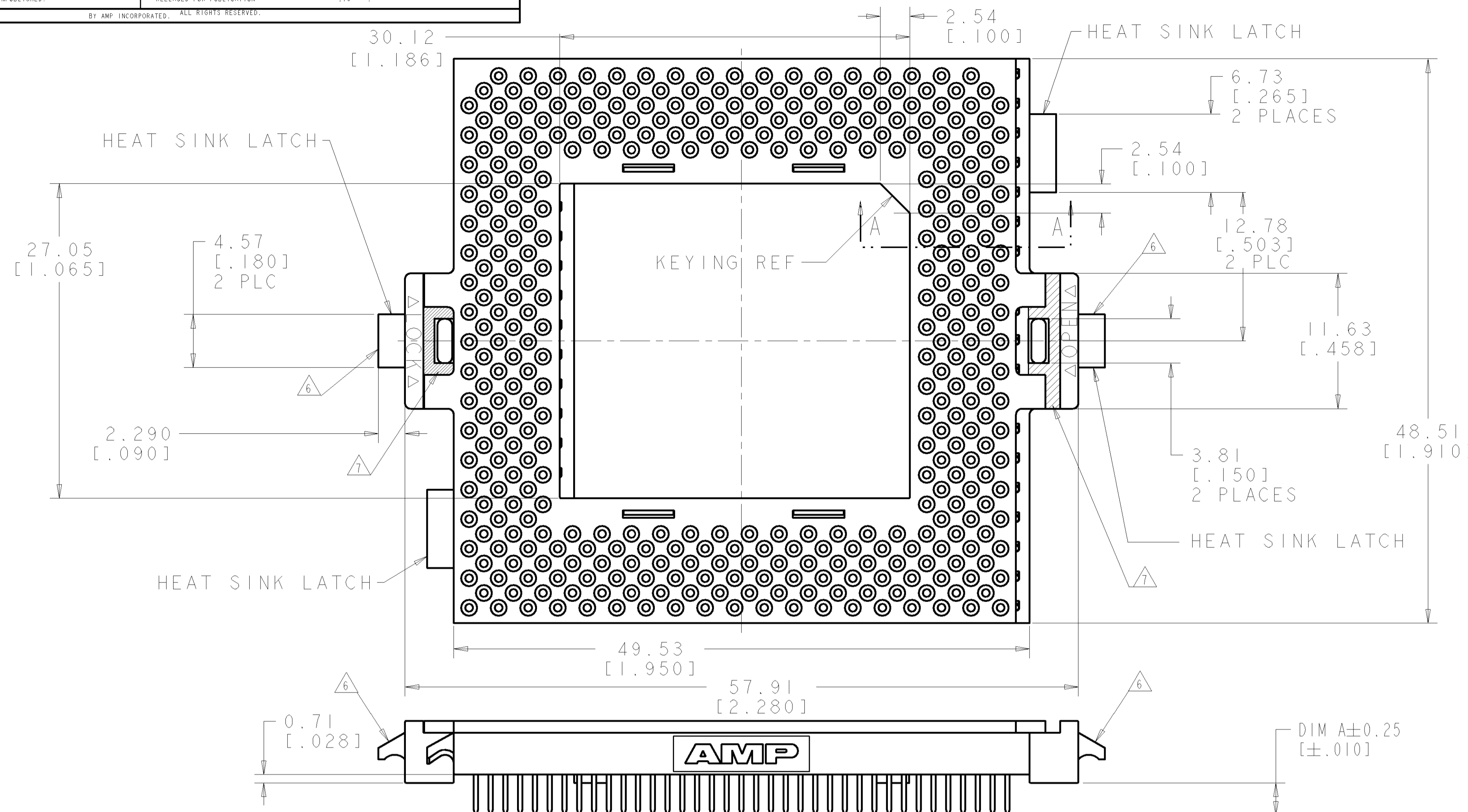
RECOMMENDED PCB HOLE LAYOUT  
 PART NUMBER 1-916783-8  
 EXCEPT ROTATED PATTERN AND PGA370A LOGO, ALL OTHER DETAILS SAME AS ON SHEET 2.



RECOMMENDED PCB HOLE LAYOUT  
 PART NUMBER 3-916783-5, 371 POSITIONS  
 EXCEPT 371 POSITIONS PATTERN AND PGA371 LOGO, ALL OTHER DETAILS SAME AS ON SHEET 2.

THIS DRAWING IS A CONTROLLED DOCUMENT.		DSN: B. HOLT FOR: B. KUHNLY APVD: S.F. LEONG PRODUCT SPEC: SEE TABLE APPLICATION SPEC: SEE TABLE	<b>AMP</b> AMP MANUFACTURING (SINGAPORE) PTE. LTD.
DIMENSIONS: mm (INCHES) TOLERANCES UNLESS OTHERWISE SPECIFIED: Ø PLC ± .20 ( .008 ) H ANGLE ± .	MATERIAL:	NAME: SOCKET ASSEMBLY, LOW PROFILE, ZIF PGA, 19 X 19 GRID SIZE: CAE CODE: AI 00779 DRAWING NO: 916783 RESTRICTED TO:	CUSTOMER DRAWING SCALE: 3:1 SHEET: 3 OF 6 REV: P

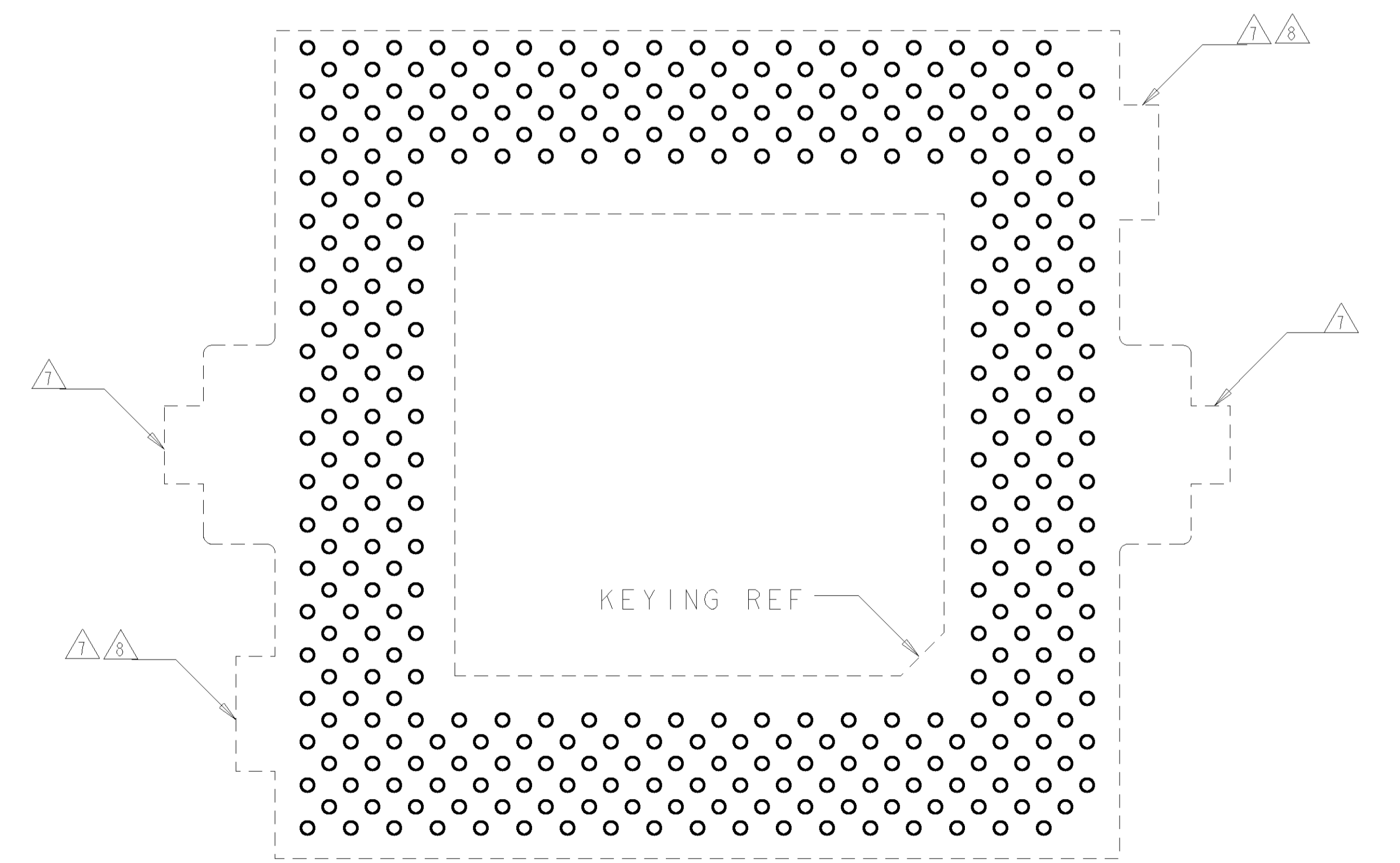
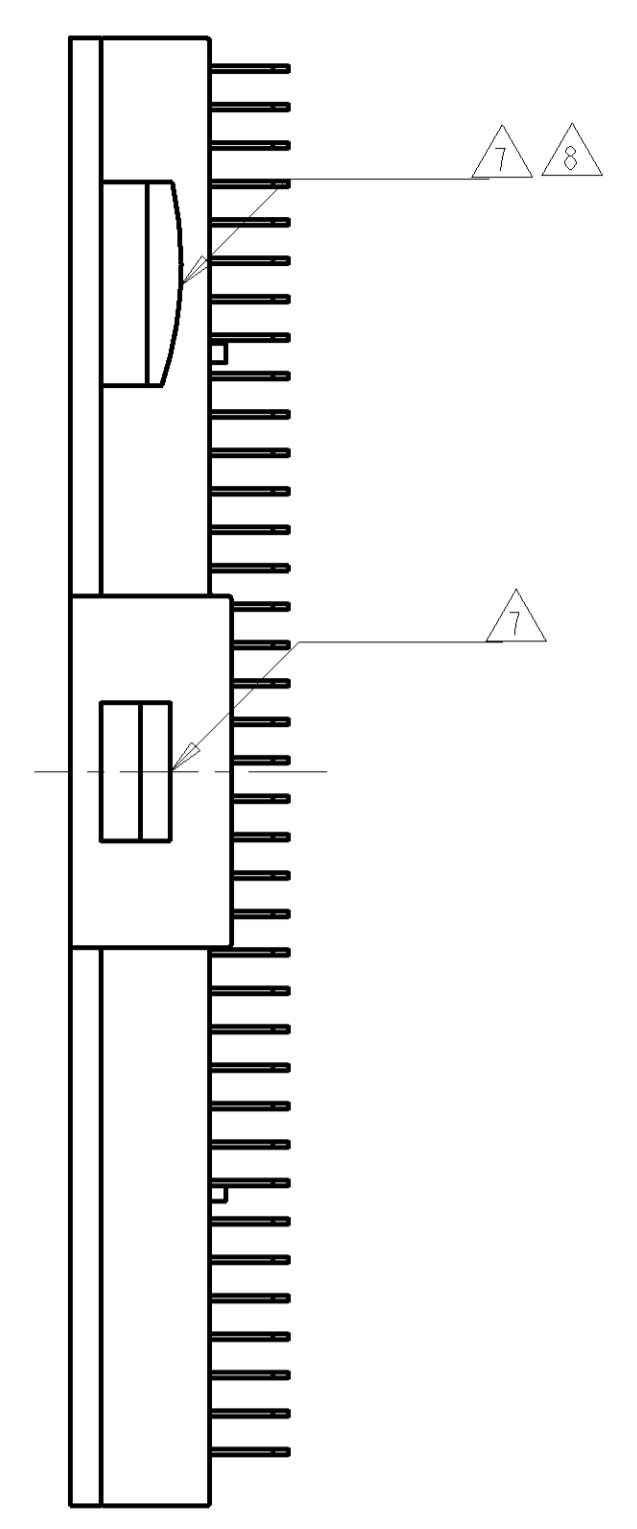
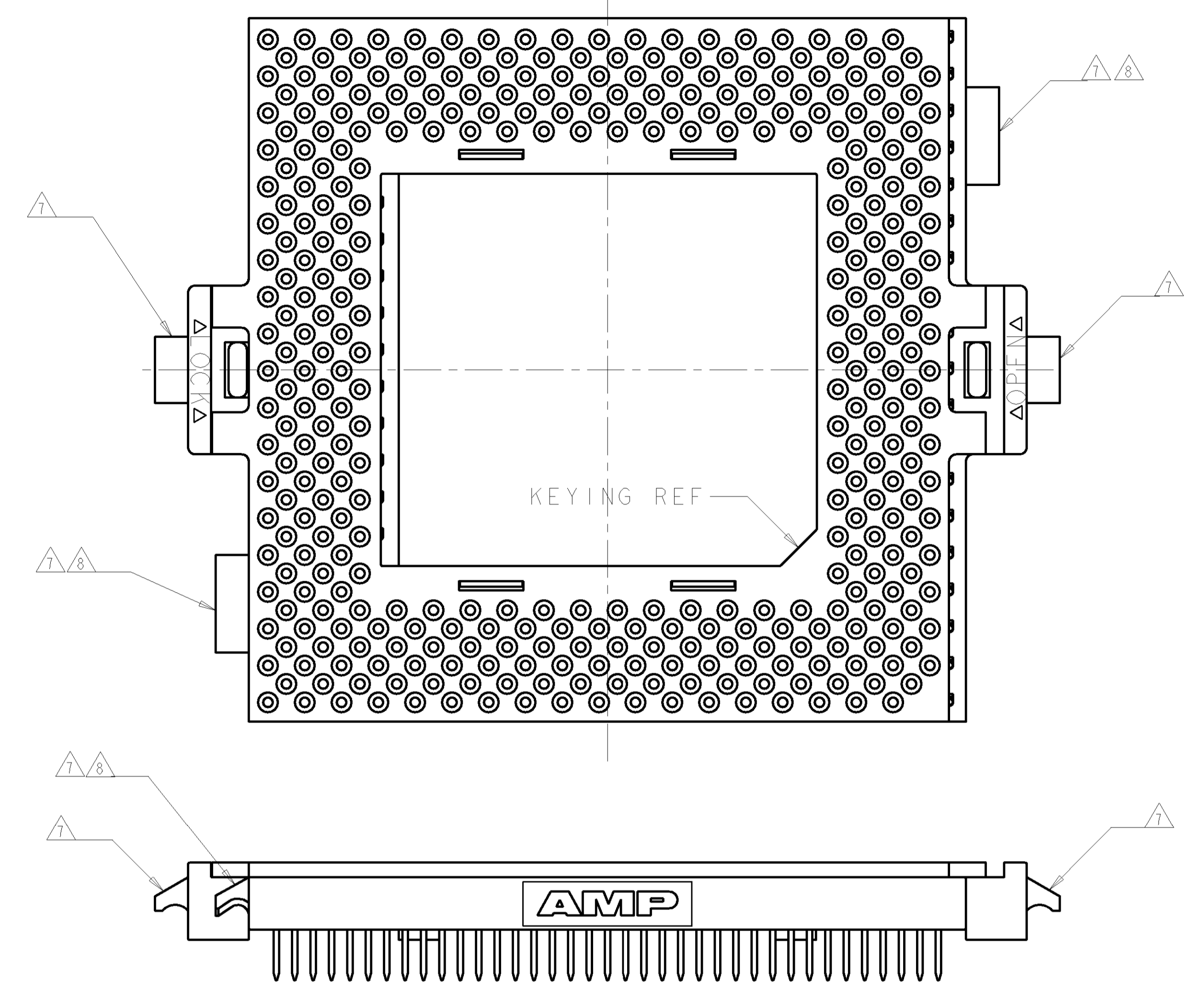
LOC	DIST	REV	DESCRIPTION	DATE	BY	APPD
DY			SEE SHEET 1			



▲ BLACK COLOUR MARKING ON HOUSING P/N: 4-916783-7 ONLY.  
 ▲ HEAT SINK LATCHES ON 4-916783-5, 4-916783-6 AND 4-916783-7

PART NUMBERS 4-916783-2, 4-916783-5 AND 4-916783-6 & 4-916783-7

THIS DRAWING IS A CONTROLLED DOCUMENT.		DRN A. HOLT 05M4199	AMP MANUFACTURING (SINGAPORE) PTE. LTD.	
DIMENSIONS: mm (INCHES)		CHK B. KUHNLY 05M4199	NAME SOCKET ASSEMBLY, LOW PROFILE, ZIF PGA, 19 X 19 GRID	
TOLERANCES UNLESS OTHERWISE SPECIFIED:		APPD S.F. LEONG	PRODUCT SPEC SEE TABLE	
0 PLC ±			APPLICATION SPEC SEE TABLE	
1 PLC ±0.20 (.008)			SIZE CASE CODE DRAWING NO. RESTRICTED TO	
2 PLC ±			A1 00779 916783	
3 PLC ±			CUSTOMER DRAWING	
4 PLC ±			SCALE 4:1 SHEET 4 OF 6 REV P	
ANGLES ±				

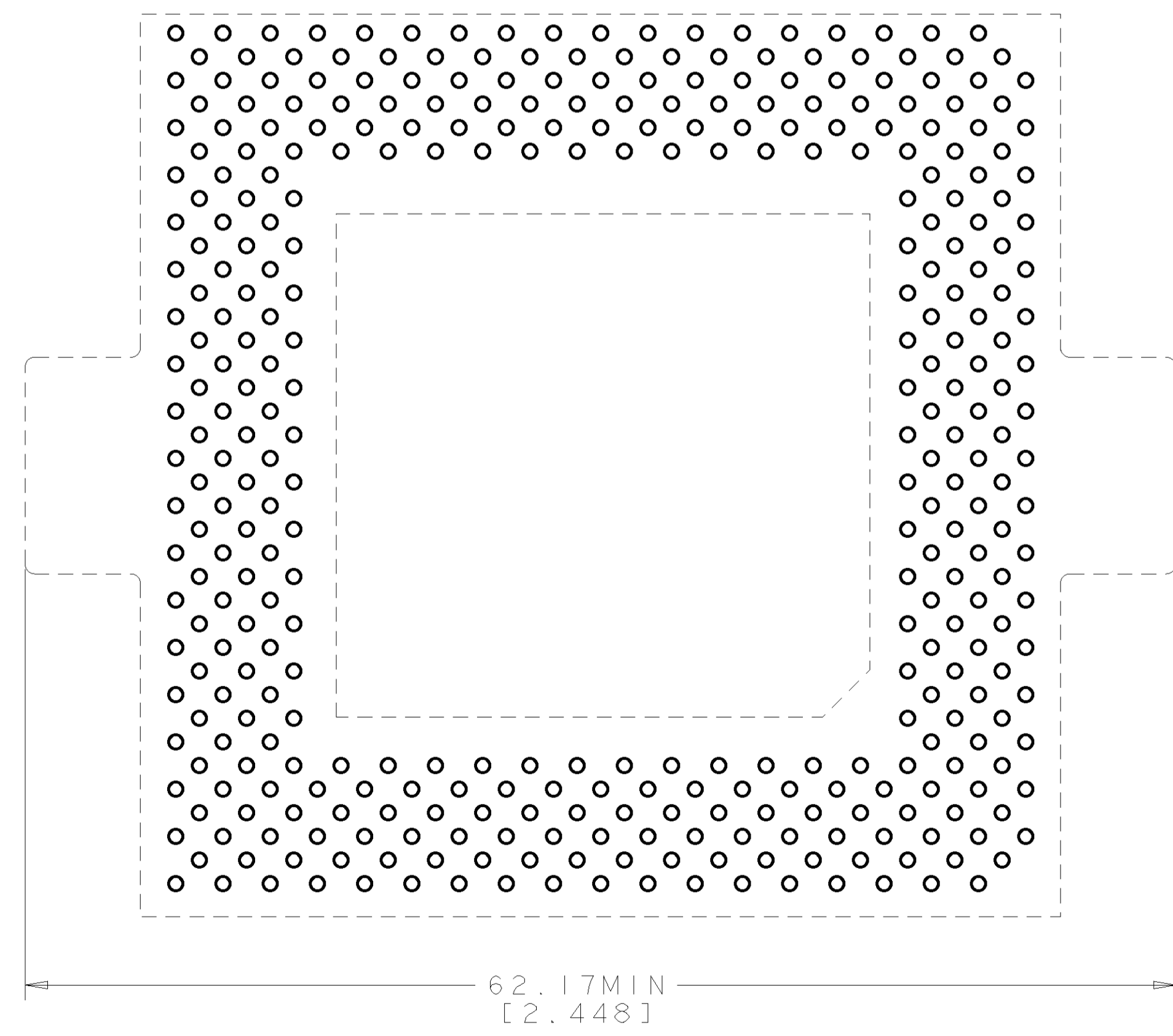
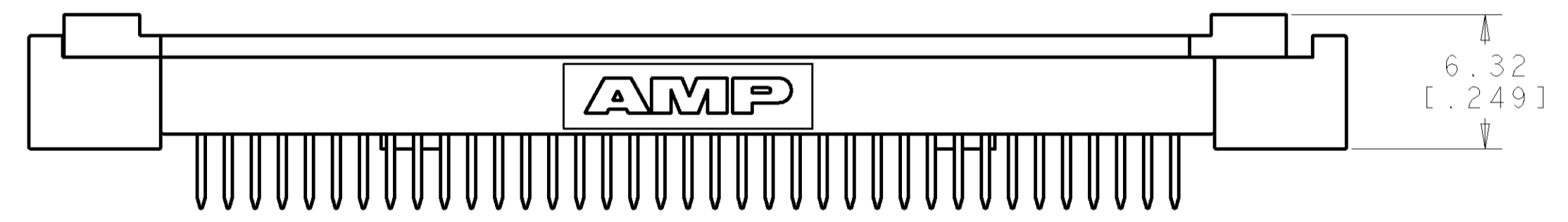
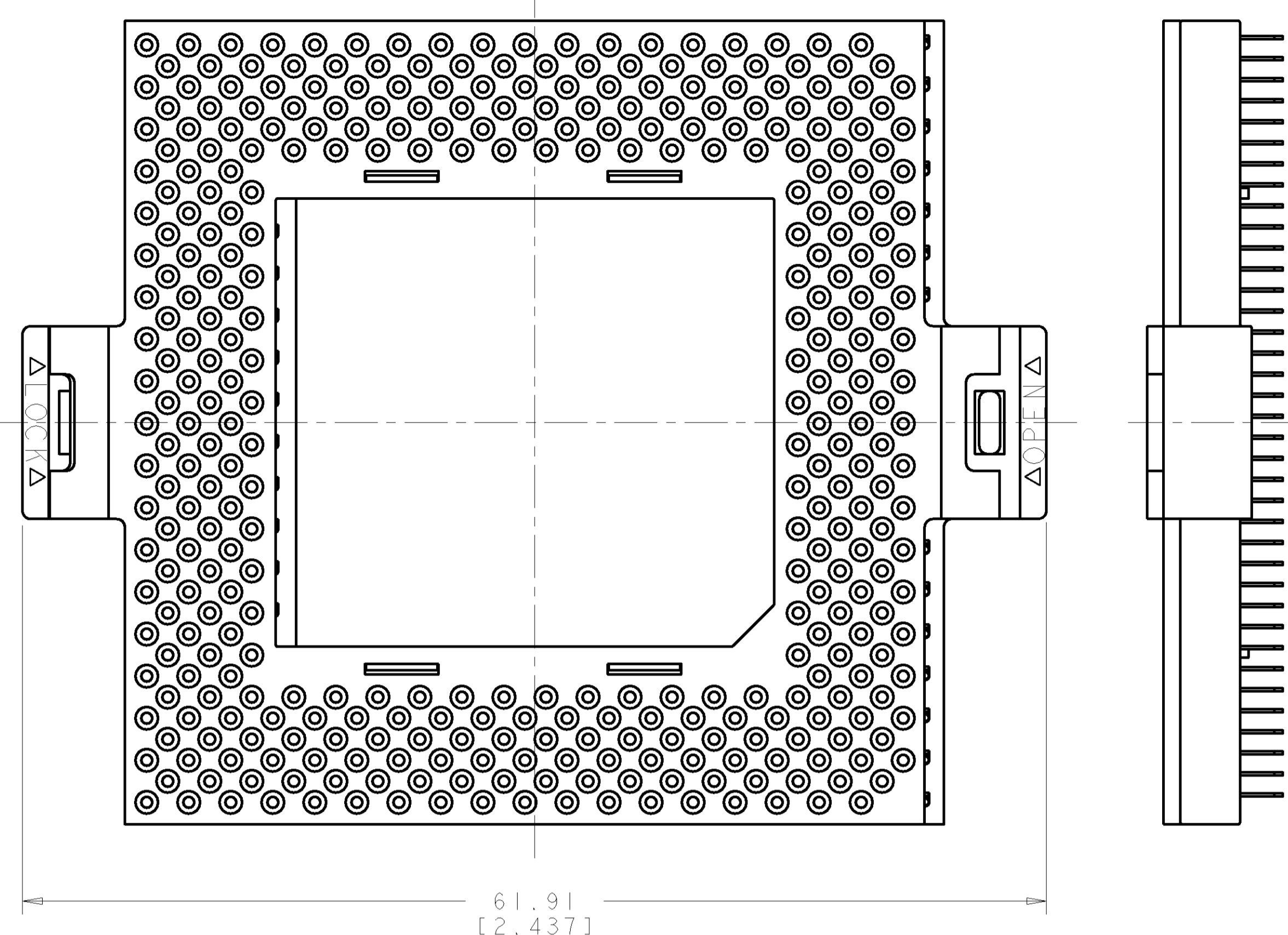


RECOMMENDED PCB HOLE LAYOUT  
 PART NUMBERS 5-916783-2, 5-916783-5 AND 5-916783-6  
 EXCEPT FOR PATTERN AND ROTATED KEYING  
 ALL OTHER DETAILS SAME AS SHEET 4

7? HEAT SINK LATCHES ON 5-916783-5 ONLY.  
 8? HEAT SINK LATCHES ON 5-916783-6 ONLY.

THIS DRAWING IS A CONTROLLED DOCUMENT.		ENR A. HOLT 05M4199	AMP MANUFACTURING (SINGAPORE) PTE. LTD.	
DIMENSIONS: mm (INCHES)		CHK B. KUHNLY 05M4199	NAME SOCKET ASSEMBLY, LOW PROFILE, ZIF PGA, 19 X 19 GRID	
TOLERANCES UNLESS OTHERWISE SPECIFIED:		APPD SEI L'ONG	PRODUCT SPEC SEE TABLE	
0.015 ±		NAME SEI L'ONG	APPLICATION SPEC SEE TABLE	
0.025 ±		SIZE A1	SCALE CODE 00779	DRAWING NO 916783
0.050 ±		MATERIAL AL	WEIGHT	RESTRICTED TO -
ANGLES ±		CUSTOMER DRAWING		SCALE 4:1
				SHEET 5 OF 6
				REV P

LOC	DIST	REVISIONS			
		REV	DATE	BY	APPD
DY		-	SEE SHEET 1	-	-



RECOMMENDED PCB HOLE LAYOUT  
 PART NUMBER 6-916783-1  
 EXCEPT FOR PATTERN, ROTATED KEYING, NO HEAT SINK LATCHES AND EXTENDED ACTUATION TABS,  
 ALL OTHER DETAILS SAME AS 4-916783-2

THIS DRAWING IS A CONTROLLED DOCUMENT.		DRN A. HOLT	SINAROO	<b>AMP</b> AMP MANUFACTURING (SINGAPORE) PTE. LTD.
DIMENSIONS: mm (INCHES)		CHK B. KUHNLY	SINAROO	
TOLERANCES UNLESS OTHERWISE SPECIFIED:		APPD SEI L'ONG	NAME	SOCKET ASSEMBLY, LOW PROFILE, ZIF PGA, 19 X 19 GRID
0.150 ±		PRODUCT SPEC	SEE TABLE	
0.250 ±		APPLICATION SPEC	SEE TABLE	RESTRICTED TO
0.500 ±		SIZE	A1	00779
0.750 ±		SCALE	4:1	SHEET 6 OF 6
0.750 ±		WEIGHT	916783	REV P
0.750 ±		CUSTOMER DRAWING		