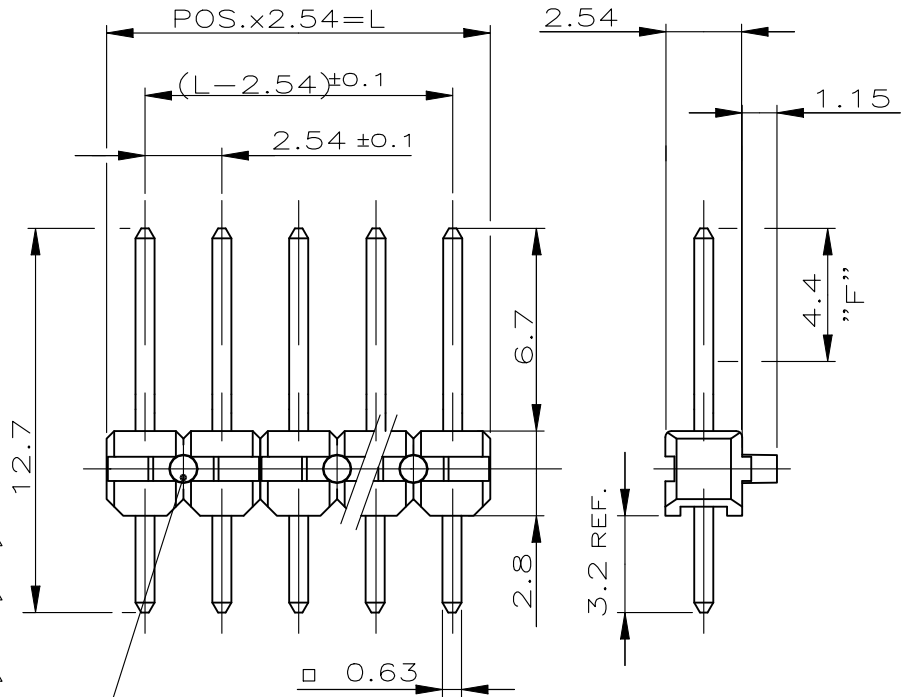


REVISIONS ÄNDERUNGEN DESCRIPTION BESCHREIBUNG					
P	LTR		DATE	DWN	APVD
	S1	NOTE 1 0.76µm PLATING UPDATE (PdNi+AuFLASH)	14JUL2023	BGC	PS

POS.	L±0.5	PART NUMBERS.	
1	2.54	△	-1
2	5.08	825433	-2
3	7.62		-3
4	10.16		-4
5	12.70		-5
6	15.24		-6
7	17.78		-7
8	20.32		-8
9	22.86		-9
10	25.40	1-	-0
11	27.94	1-	-1
12	30.48	1-	-2
13	33.02	1-	-3
14	35.56	1-	-4
15	38.10	1-	-5
16	40.64	1-	-6
17	43.18	1-	-7
18	45.72	1-	-8
19	48.26	1-	-9
20	50.80	2-	-0
21	53.34	2-	-1
22	55.88	2-	-2
23	58.42	2-	-3
24	60.96	2-	-4
25	63.50	2-	-5
26	66.04	2-	-6
27	68.58	2-	-7
28	71.12	2-	-8
29	73.66	2-	-9
30	76.20	3-	-0
31	78.74	3-	-1
32	81.28	3-	-2
33	83.82	3-	-3
34	86.36	3-	-4
35	88.90	3-	-5
36	91.44	3-	-6
37	93.98	3-	-7
38	96.52	3-	-8
39	99.06	3-	-9
40	101.60	4-	-0
41	104.14	4-	-1
42	106.68	4-	-2
43	109.22	4-	-3
44	111.76	4-	-4
45	114.30	4-	-5
46	116.84	4-	-6
47	119.38	4-	-7
48	121.92	4-	-8
49	124.46	4-	-9
50	127.00	5- 825433	-0



LOCATION OF LOCKING PINS
CHANGE IF ODD POLE NUMBERS

- △1 Min 0.76µm (PdNi + Au Flash) by area "F" over Min 1.27µm Nickel (Alternative plating - Min 0.76µm Au by area "F" over Min 1.27µm Nickel) MIN. 2.5µm TIN OVER 1.27µm NICKEL AT SOLDER AREA.
- △2 VARIANTE 825433-1 ERSETZT DURCH 826629-1
- △3 OBSOLETE PARTS
- △4 OBSOLETE PARTS: OBSOLETE CIS STREAMLINING PER D.RENAUD/D.SINISI

CONTACT PIN	CuZn	△
HOUSING	PBT GV	GREEN
DESCRIPTION	MATERIAL	COLOR FINISH

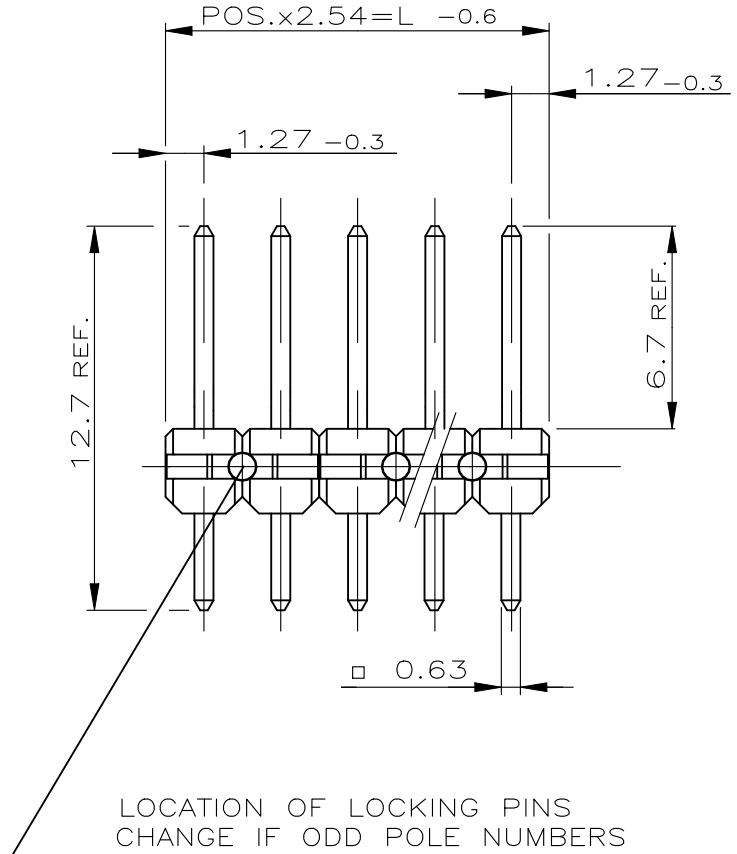
FREI FUER VEROFFENTLICHTUNG

VERTRÄULICHE UNVERÖFFENTLICHTETE ZÄHLUNG. Reserved.

DIMENSIONS: MASSENHEITEN mm	DWN	10MAY1984	MATERIAL	-	FINISH OBERFLÄCHE/FARBE	-		
	CHK	10MAY1984	TE Connectivity					
TOLERANCES UNLESS OTHERWISE SPECIFIED: ALLGEMEINTOLERANZEN	M.SCHAARSCHMIDT	APVD					10MAY1984	
0 PLC ± - 1 PLC ± - 2 PLC ± - 3 PLC ± - 4 PLC ± - ANGLES / WINKEL ± .	PRODUCT SPEC PRODUKTSPEZ.	NAME				RESTRICTED TO NUR FUER		
	APPLICATION SPEC VERARBEITUNGSSPEZ.	AMPMODU II PIN HEADER						
	WEIGHT GEWICHT	-	SIZE	A4	CAGE CODE	00779	DRAWING NO ZEICHNUNGS-NR.	C-825433
	CUSTOMER DRAWING / KUNDENZEICHNUNG			SCALE MASSSTAB	4:1	SHEET BLATT	1 OF 2	REV S1

P		LTR	REVISIONS ÄNDERUNGEN DESCRIPTION BESCHREIBUNG	DATE	DWN	APVD
		-	SEE SHEET 1	-	-	-

PARTS PER ROW.	L -0.6	PART NUMBERS
2	5.08	-2
3	7.62	5- 825433 -3
4	10.16	5- -4
5	12.70	5- -5
6	15.24	5- -6
7	17.78	5- -7
8	20.32	5- -8
9	22.86	5- -9
10	25.40	6- -0
11	27.94	6- -1
12	30.48	6- -2
13	33.02	6- -3
14	35.56	6- -4
15	38.10	6- -5
16	40.64	6- -6
17	43.18	6- -7
18	45.72	6- -8
19	48.26	6- -9
20	50.80	7- -0
21	53.34	7- -1
22	55.88	7- -2
23	58.42	7- -3
24	60.96	7- -4
25	63.50	7- -5
26	66.04	7- -6
27	68.58	7- -7
28	71.12	7- -8
29	73.66	7- -9
30	76.20	8- -0
31	78.74	8- -1
32	81.28	8- -2
33	83.82	8- -3
34	86.36	8- -4
35	88.90	8- -5
36	91.44	8- -6
37	93.98	8- -7
38	96.52	8- -8
39	99.06	8- -9
40	101.60	9- -0
41	104.14	9- -1
42	106.68	9- -2
43	109.22	9- -3
44	111.76	9- -4
45	114.30	9- -5
46	116.84	9- -6
47	119.38	9- -7
48	121.92	9- -8
49	124.46	9- -9
50	127.00	5- -0



FREI FUER VEROFFENTLICHUNG

VERTRÄULICHE UNVERÖFFENTLICHTE ZÄHLFRÜHUNG. Reserved.

DIMENSIONS: MASSENHEITEN mm	DWN	14AUG1990	MATERIAL	-	FINISH OBERFLÄCHE/FARBE	-
	CHK	A.HO	TE Connectivity			
TOLERANCES UNLESS OTHERWISE SPECIFIED: ALLGEMEINTOLERANZEN ±0.2 mm	APVD	M.SCHAARSCHMIDT				
	PRODUCT SPEC PRODUKTSPEZ.	-	AMPMODU II PIN HEADER			
0 PLC ± -	APPLICATION SPEC VERARBEITUNGSSPEZ.	-	SIZE	CAGE CODE	DRAWING NO ZEICHNUNGS-NR.	RESTRICTED TO NUR FUER
1 PLC ± -	WEIGHT GEWICHT	-	A4	00779	C-825433	-
2 PLC ± -		3 PLC ± -	CUSTOMER DRAWING / KUNDENZEICHNUNG			
4 PLC ± -	ANGLES / WINKEL ±		SCALE MASSSTAB	4:1	SHEET BLATT	2 OF 2
		REV		S1		