

DESIGNED & DIMENSIONED
IN MILLIMETERS [INCHES]

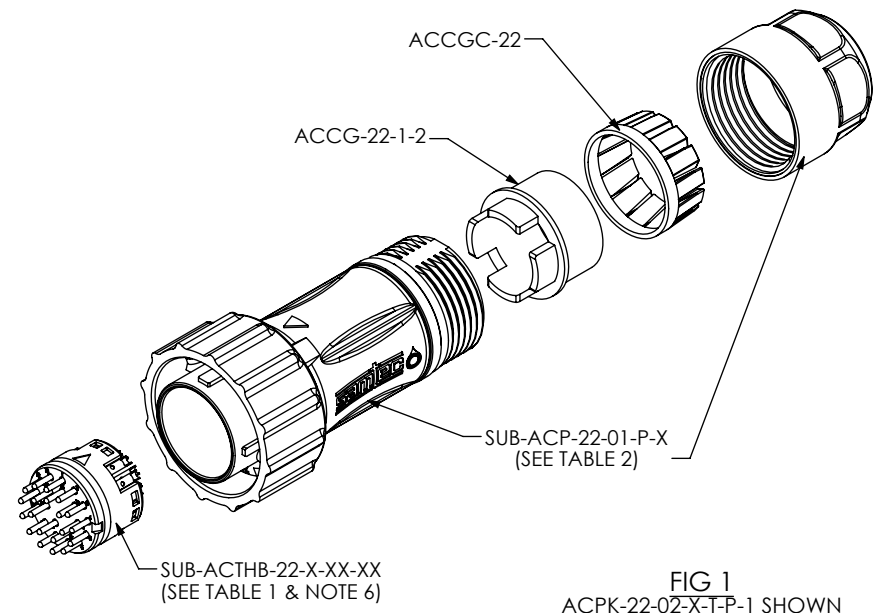


FIG 1
ACPK-22-02-X-T-P-1 SHOWN

ACPK-22-XX-X-X-P-X

- PLUG KIT
- SIZE
- LEAD STYLE
 - 01: 30 POS (1.0 TERM/SKT), 20 - 24 AWG
 - 02: 20 POS (1.0 TERM/SKT), 20 - 24 AWG
 - 03: 8 POS PWR (1.5 TERM/SKT), 14 - 18 AWG
 - * -04: 6 POS (COAX PLUG/JACK, CCA-316)
 - 05: 20 POS COMBO (4 X 1.5 TERM/SKT, 14 - 18 AWG) (16 X 1.0 TERM/SKT, 20 - 24 AWG)
 - * -06: 16 POS COMBO (4 X COAX PLUG/JACK, CCA-316) (12 X 1.0 TERM/SKT, 20 -24 AWG)
- KEY FEATURE (SEE NOTE 2, SEE SHT. 4)
 - 1: ORANGE
 - 2: GREEN
 - 3: BLUE
 - 4: YELLOW
- STYLE
 - P: PLASTIC
- GENDER
 - T: TERMINAL
 - S: SOCKET
- PLATING
 - G: 10µ" GOLD ON CONTACT
 - H: 30µ" GOLD ON CONTACT

* = NOT RELEASED FOR PRODUCTION

TABLE 2	
KEY FEATURE	SUB-ACP-22-XX-P-X
-1	SUB-ACP-22-01-P-1
-2	SUB-ACP-22-01-P-2
-3	SUB-ACP-22-01-P-3
-4	SUB-ACP-22-01-P-4

DO NOT SCALE FROM THIS PRINT

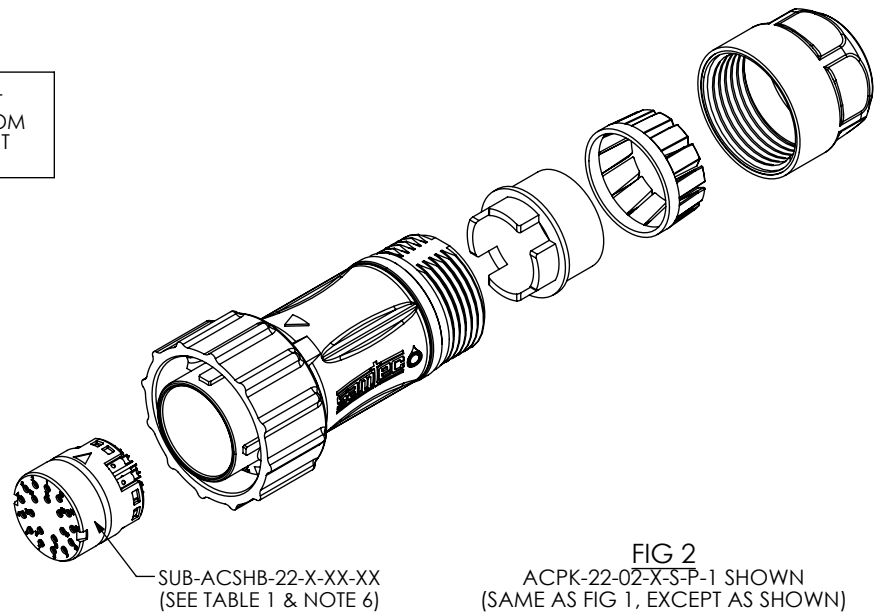


FIG 2
ACPK-22-02-X-S-P-1 SHOWN
(SAME AS FIG 1, EXCEPT AS SHOWN)

TABLE 1					
LEAD STYLES	GENDER	SUB-ASSEMBLY/HOLDER BODY PART #		COAX PLUG/JACK PART #	
		PLATING			
		-G	-H	AC-X-C-H-ST-CA1	QTY
-01	-T	SUB-ACHTB-22-G-01	SUB-ACHTB-22-H-01	NA	
-02	-T	SUB-ACHTB-22-G-02	SUB-ACHTB-22-H-02	NA	
-03	-T	SUB-ACHTB-22-G-03	SUB-ACHTB-22-H-03	NA	
* -04	-T	ACTHB-22-6	ACTHB-22-6	AC-P-C-H-ST-CA1	6
-05	-T	SUB-ACHTB-22-G-05	SUB-ACHTB-22-H-05	NA	
* -06	-T	SUB-ACHTB-22-G-06	SUB-ACHTB-22-H-06	AC-P-C-H-ST-CA1	4
-01	-S	SUB-ACSHB-22-G-01	SUB-ACSHB-22-H-01	NA	
-02	-S	SUB-ACSHB-22-G-02	SUB-ACSHB-22-H-02	NA	
-03	-S	SUB-ACSHB-22-G-03	SUB-ACSHB-22-H-03	NA	
* -04	-S	ACSHB-22-6	ACSHB-22-6	AC-J-C-H-ST-CA1	6
-05	-S	SUB-ACSHB-22-G-05	SUB-ACSHB-22-H-05	NA	
* -06	-S	SUB-ACSHB-22-G-06	SUB-ACSHB-22-H-06	AC-J-C-H-ST-CA1	4

- NOTES:
- KIT COMPONENTS TO BE PACKAGED & SHIPPED IN TRAYS, SEE SHT 5.
 - KEY FEATURE DETERMINES COLOR OF KEY RING AND DUSTCAP LANYARD IF APPLICABLE.
 - REFER TO DCA-ACP-22-P-X PRINT FOR DUST CAP.
 - TORQUE SPECIFICATION FOR CABLE NUT: 1.1Nm[10.00 IN-LB] - 1.7Nm[15.00 IN-LB].
 - CABLE DIAMETER SPECIFICATION: 8.38[.330] - 14.22[.560].
 - RECOMMENDED INSERTION TOOL: CAT-AC-22-M.
 - PLACE HDRL-07 (LABEL) ON TRAY WHERE SHOWN. LABEL TO HAVE THE FOLLOWING PRINTED IN ARIAL FONT SIZE 9:
 - LINE 1 - "FOR ASSEMBLY INSTRUCTIONS SEE"
 - LINE 2 - "WWW.SAMTEC.COM/ACPKFTK"
 - LINE 3 - PART NUMBER "ACPK-22-XX-X-X-P-X"
 - LINE 4 - SHOP ORDER NUMBER "XXXXXXXX"

F:\DWG\MISC\MKTG\ACPK-22-XX-X-X-P-X-MKT.SLDDRW

UNLESS OTHERWISE SPECIFIED, DIMENSIONS ARE IN MILLIMETERS. TOLERANCES ARE:
 DECIMALS ANGLES
 X.X: ±0.3 [.01] 2°
 X.XX: ±0.13 [.005]
 X.XXX: ±0.051 [.0020]

PROPRIETARY NOTE
 THIS DOCUMENT CONTAINS INFORMATION CONFIDENTIAL AND PROPRIETARY TO SAMTEC, INC. AND SHALL NOT BE REPRODUCED OR TRANSFERRED TO OTHER DOCUMENTS OR DISCLOSED TO OTHERS OR USED FOR ANY PURPOSE OTHER THAN THAT WHICH IT WAS OBTAINED WITHOUT THE EXPRESSED WRITTEN CONSENT OF SAMTEC, INC.

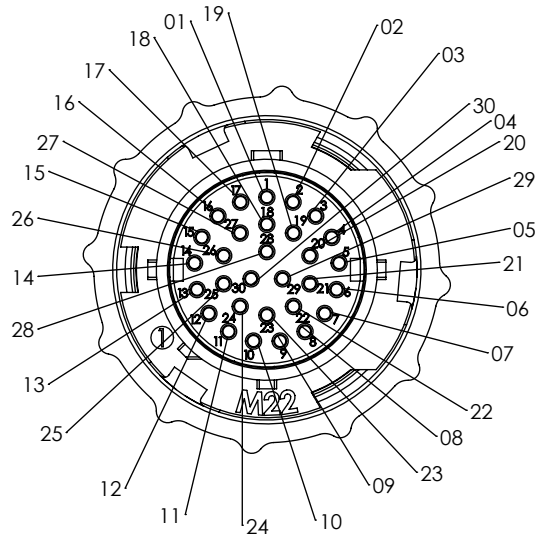
520 PARK EAST BLVD, NEW ALBANY, IN 47150
 PHONE: 812-944-6733 FAX: 812-948-5047
 e-Mail: info@SAMTEC.com code 53322

MATERIAL: DO NOT SCALE DRAWING SHEET SCALE: 3:4
 SHELLS/LOCKING SLEEVE/NUT: NYLON, COLOR: BLACK
 COLOR RING: SILICONE
 INSULATOR: PBT, COLOR: BLACK
 GROMMET CAGE: NYLON, COLOR: BLACK
 TERMINALS: BRASS
 CONTACTS: BRASS/BeCu
 GROMMET: NITRILE

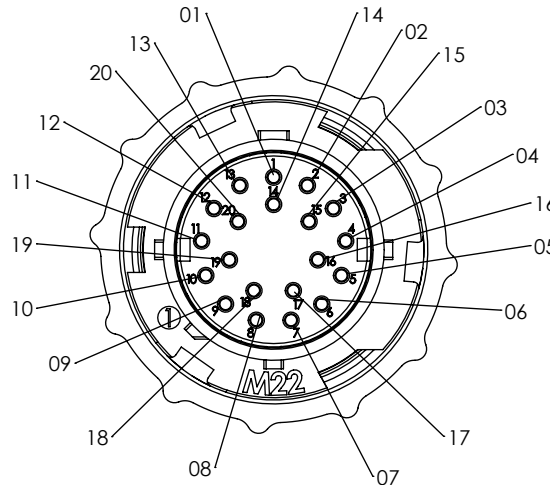
DESCRIPTION:
 ACCLIMATE CIRC. FIELD TERM. KIT
 DWG. NO.
ACPK-22-XX-X-X-P-X
 BY: CLAY W 08/02/2011 SHEET 1 OF 5

-T END OPTIONS

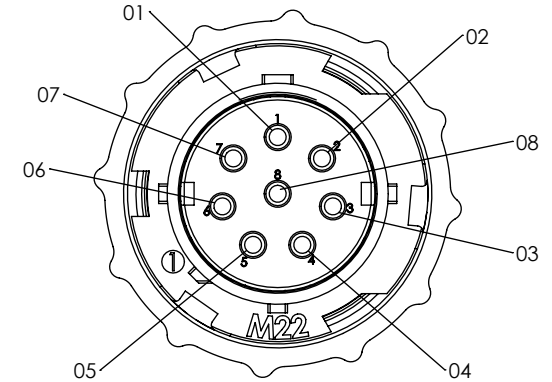
-01: 30 POS
Ø1.0 TERMINALS



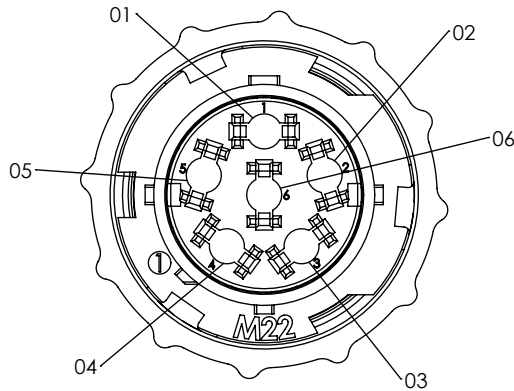
-02: 20 POS
Ø1.0 TERMINALS



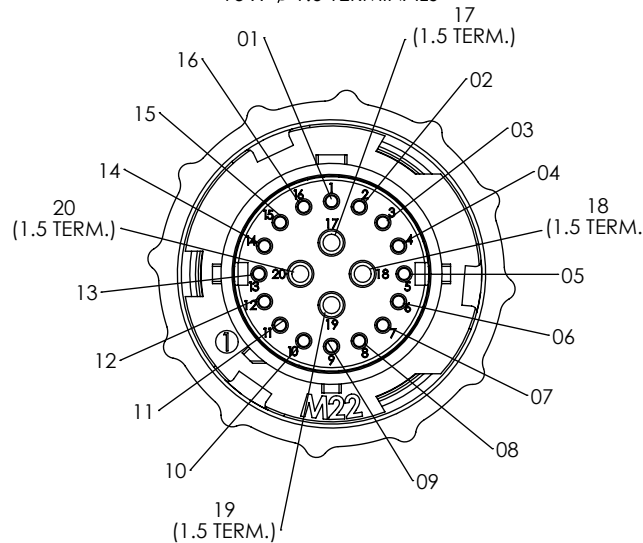
-03: 8 POS
Ø1.5 TERMINALS



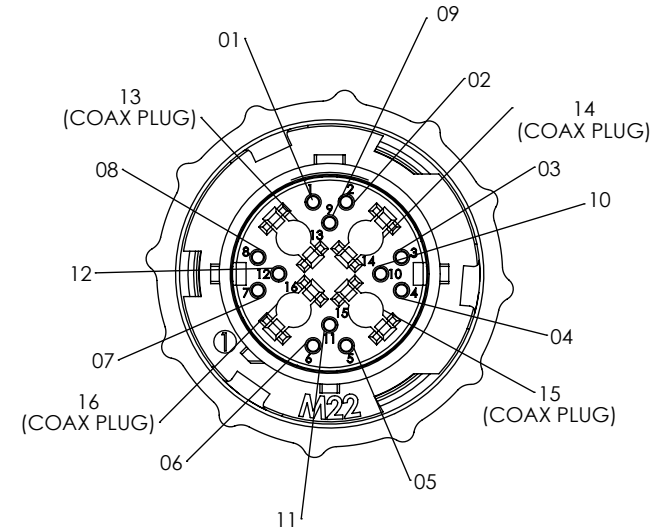
* -04: 6 POS
COAX PLUG



-05: 20 POS COMBO
4 X Ø1.5 TERMINALS
16 X Ø1.0 TERMINALS



* -06: 16 POS COMBO
4 X COAX PLUG
12 X Ø1.0 TERMINALS



* = NOT RELEASED FOR PRODUCTION

PROPRIETARY NOTE

THIS DOCUMENT CONTAINS INFORMATION CONFIDENTIAL AND PROPRIETARY TO SAMTEC, INC. AND SHALL NOT BE REPRODUCED OR TRANSFERRED TO OTHER DOCUMENTS OR DISCLOSED TO OTHERS OR USED FOR ANY PURPOSE OTHER THAN THAT WHICH IT WAS OBTAINED WITHOUT THE EXPRESSED WRITTEN CONSENT OF SAMTEC, INC.

DO NOT SCALE DRAWING

SHEET SCALE: 3:2

samtec

520 PARK EAST BLVD. NEW ALBANY, IN 47150
PHONE: 812-944-6733 FAX: 812-948-5047
e-Mail info@SAMTEC.com code 55322

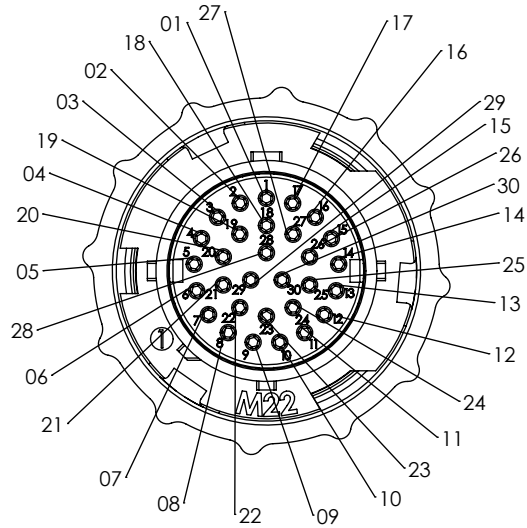
DESCRIPTION: ACCLIMATE CIRC. FIELD TERM. KIT

DWG. NO. ACPK-22-XX-X-X-P-X

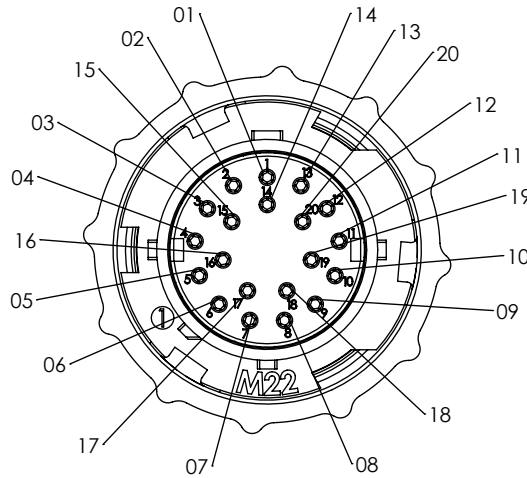
BY: CLAY W 08/02/2011 SHEET 2 OF 5

-S END OPTIONS

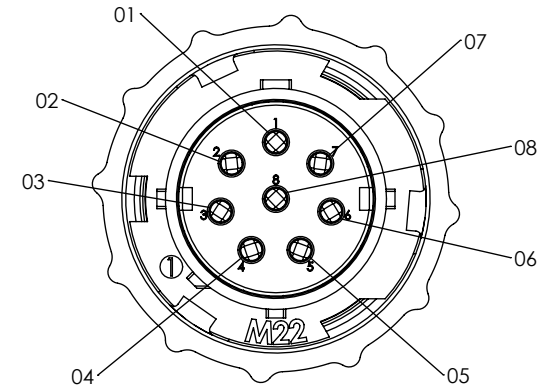
-01: 30 POS
Ø1.0 SOCKETS



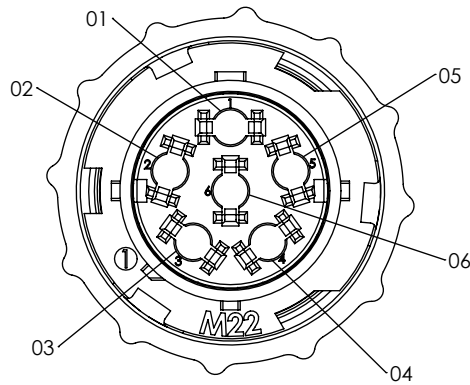
-02: 20 POS
Ø1.0 SOCKETS



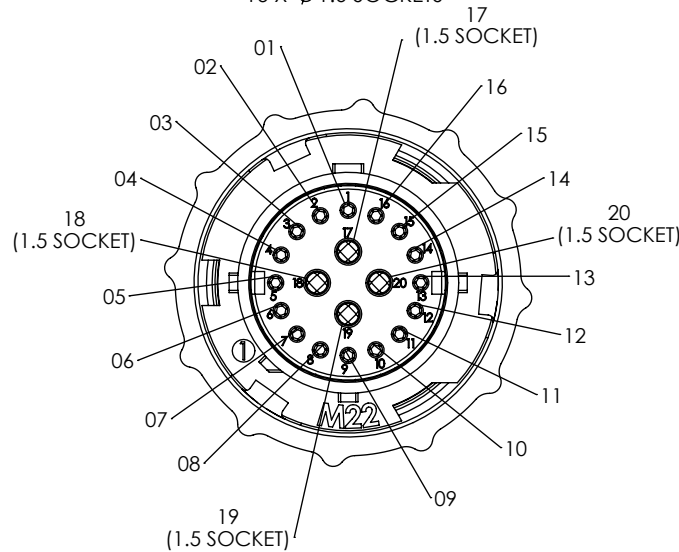
-03: 8 POS
Ø1.5 SOCKETS



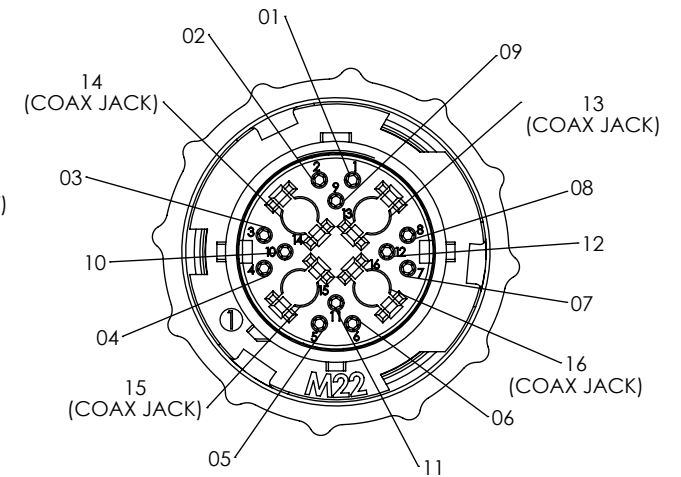
*-04: 6 POS
COAX JACK



-05: 20 POS COMBO
4 X Ø1.5 SOCKETS
16 X Ø1.0 SOCKETS



*-06: 16 POS COMBO
4 X COAX JACK
12 X Ø1.0 SOCKETS



* = NOT RELEASED FOR PRODUCTION

PROPRIETARY NOTE
THIS DOCUMENT CONTAINS INFORMATION CONFIDENTIAL AND PROPRIETARY TO SAMTEC, INC. AND SHALL NOT BE REPRODUCED OR TRANSFERRED TO OTHER DOCUMENTS OR DISCLOSED TO OTHERS OR USED FOR ANY PURPOSE OTHER THAN THAT WHICH IT WAS OBTAINED WITHOUT THE EXPRESSED WRITTEN CONSENT OF SAMTEC, INC.

DO NOT SCALE DRAWING

SHEET SCALE: 3:2

samtec

520 PARK EAST BLVD, NEW ALBANY, IN 47150
PHONE: 812-944-6733 FAX: 812-948-5047
e-Mail info@SAMTEC.com code 55322

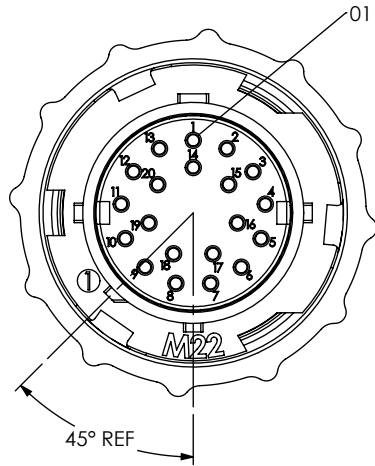
DESCRIPTION: ACCLIMATE CIRC. FIELD TERM. KIT

DWG. NO. ACPK-22-XX-X-X-P-X

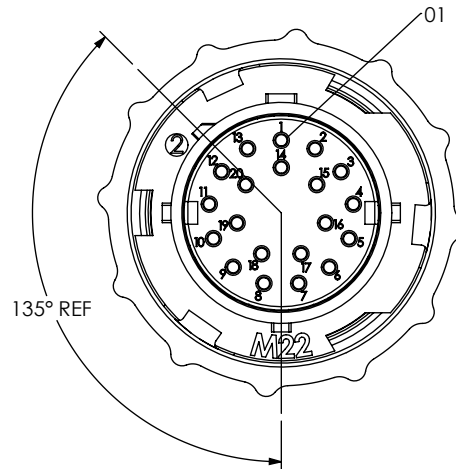
BY: CLAY W 08/02/2011 SHEET 3 OF 5

KEY FEATURE
(SEE NOTE 2)

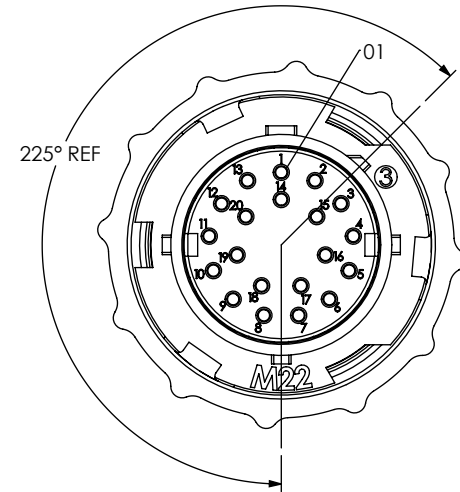
-1
ORANGE KEY RING



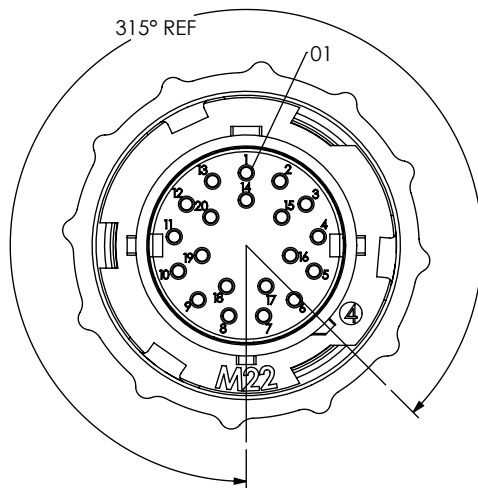
-2
GREEN KEY RING



-3
BLUE KEY RING



-4
YELLOW KEY RING



PROPRIETARY NOTE
THIS DOCUMENT CONTAINS INFORMATION CONFIDENTIAL AND PROPRIETARY TO SAMTEC, INC. AND SHALL NOT BE REPRODUCED OR TRANSFERRED TO OTHER DOCUMENTS OR DISCLOSED TO OTHERS OR USED FOR ANY PURPOSE OTHER THAN THAT WHICH IT WAS OBTAINED WITHOUT THE EXPRESSED WRITTEN CONSENT OF SAMTEC, INC.

DO NOT SCALE DRAWING

SHEET SCALE: 1.5:1

samtec

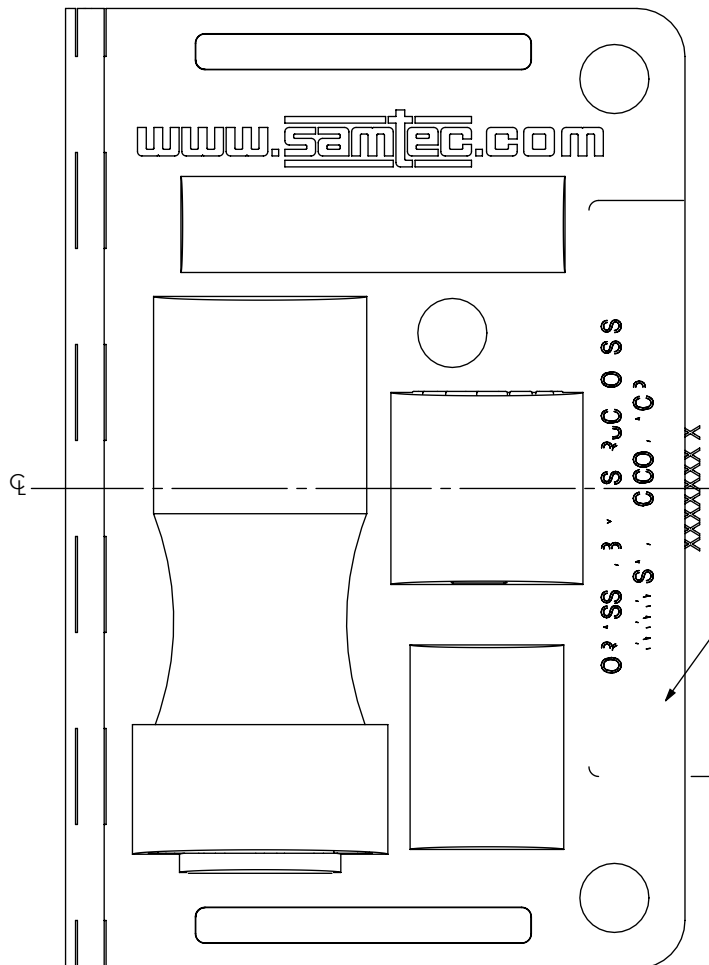
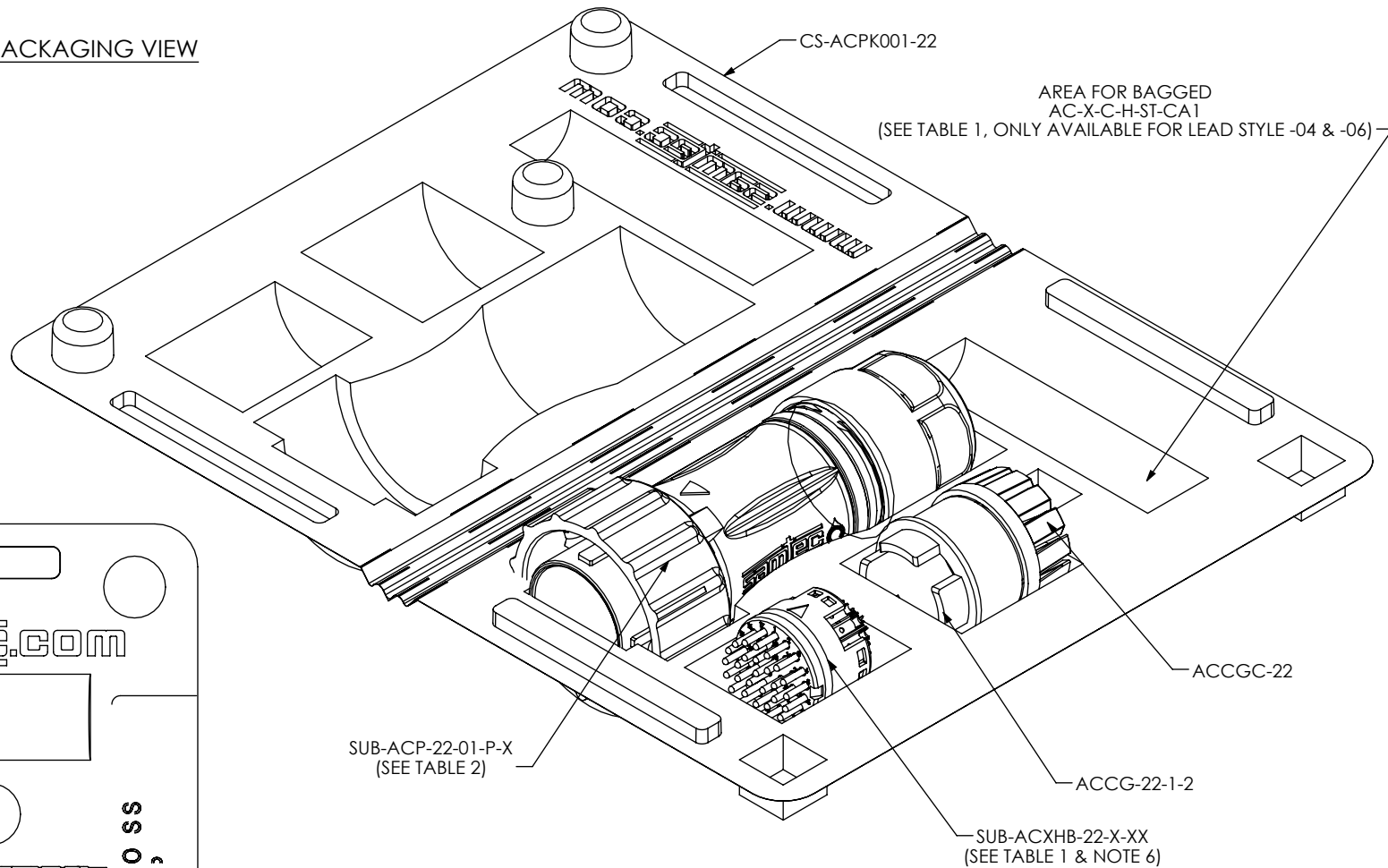
520 PARK EAST BLVD, NEW ALBANY, IN 47150
PHONE: 812-944-6733 FAX: 812-948-5047
e-Mail: info@SAMTEC.com code 55322

DESCRIPTION: ACCLIMATE CIRC. FIELD TERM. KIT

DWG. NO. ACPK-22-XX-X-X-P-X

BY: CLAY W 08/02/2011 SHEET 4 OF 5

PACKAGING VIEW



HDRL-07 (SEE NOTE 7)
(LINE 3 & 4 NOT SHOWN DUE TO LABEL WRAPPING AROUND THE CLAM SHELL)

PROPRIETARY NOTE
THIS DOCUMENT CONTAINS INFORMATION CONFIDENTIAL AND PROPRIETARY TO SAMTEC, INC. AND SHALL NOT BE REPRODUCED OR TRANSFERRED TO OTHER DOCUMENTS OR DISCLOSED TO OTHERS OR USED FOR ANY PURPOSE OTHER THAN THAT WHICH IT WAS OBTAINED WITHOUT THE EXPRESSED WRITTEN CONSENT OF SAMTEC, INC.

DO NOT SCALE DRAWING
SHEET SCALE: 1:1

samtec
520 PARK EAST BLVD, NEW ALBANY, IN 47150
PHONE: 812-944-6733 FAX: 812-948-5047
e-Mail info@SAMTEC.com code 55322

DESCRIPTION:	ACCLIMATE CIRC. FIELD TERM. KIT
DWG. NO.	ACPK-22-XX-X-X-P-X
BY: CLAY W	08/02/2011
SHEET 5 OF 5	