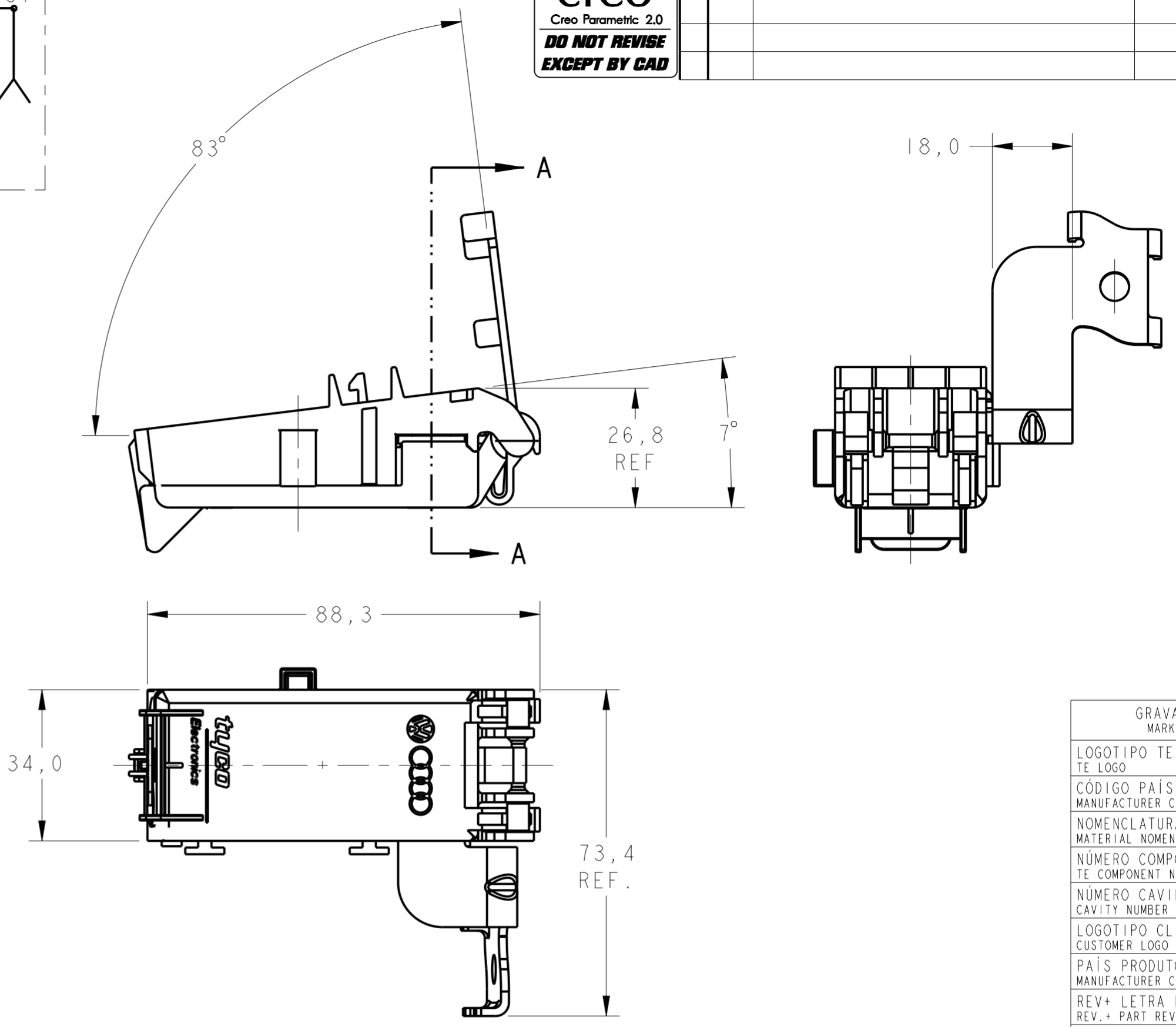
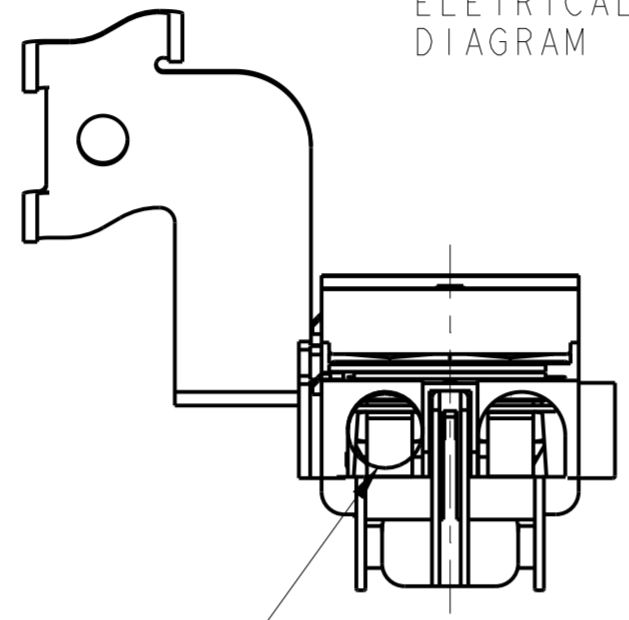
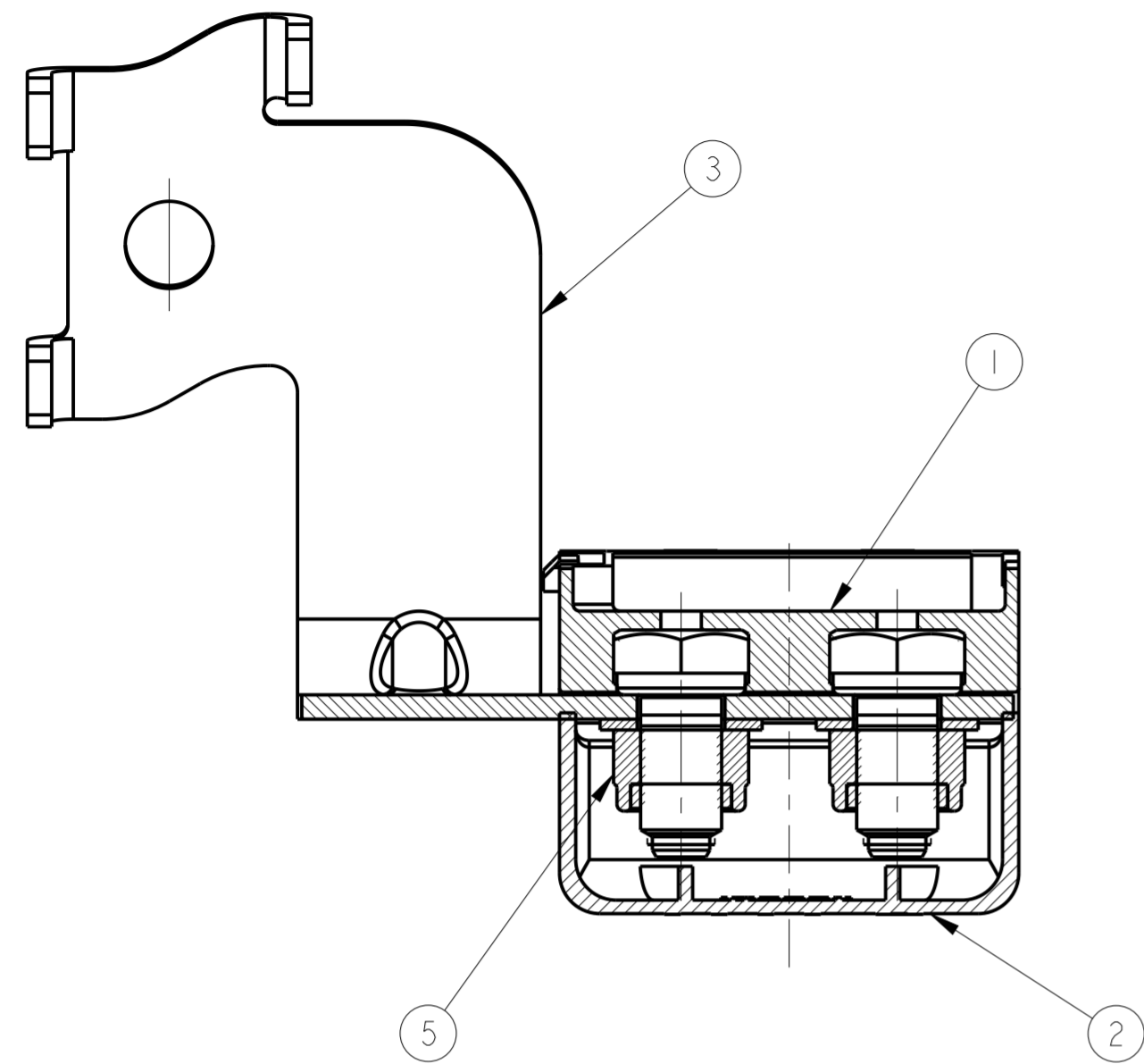
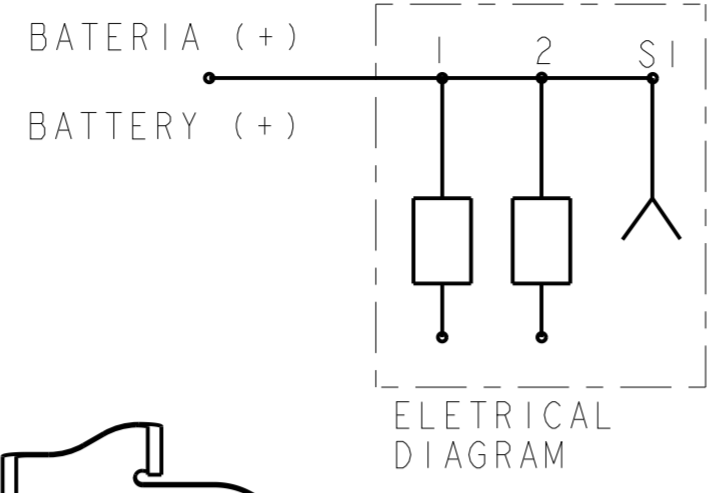


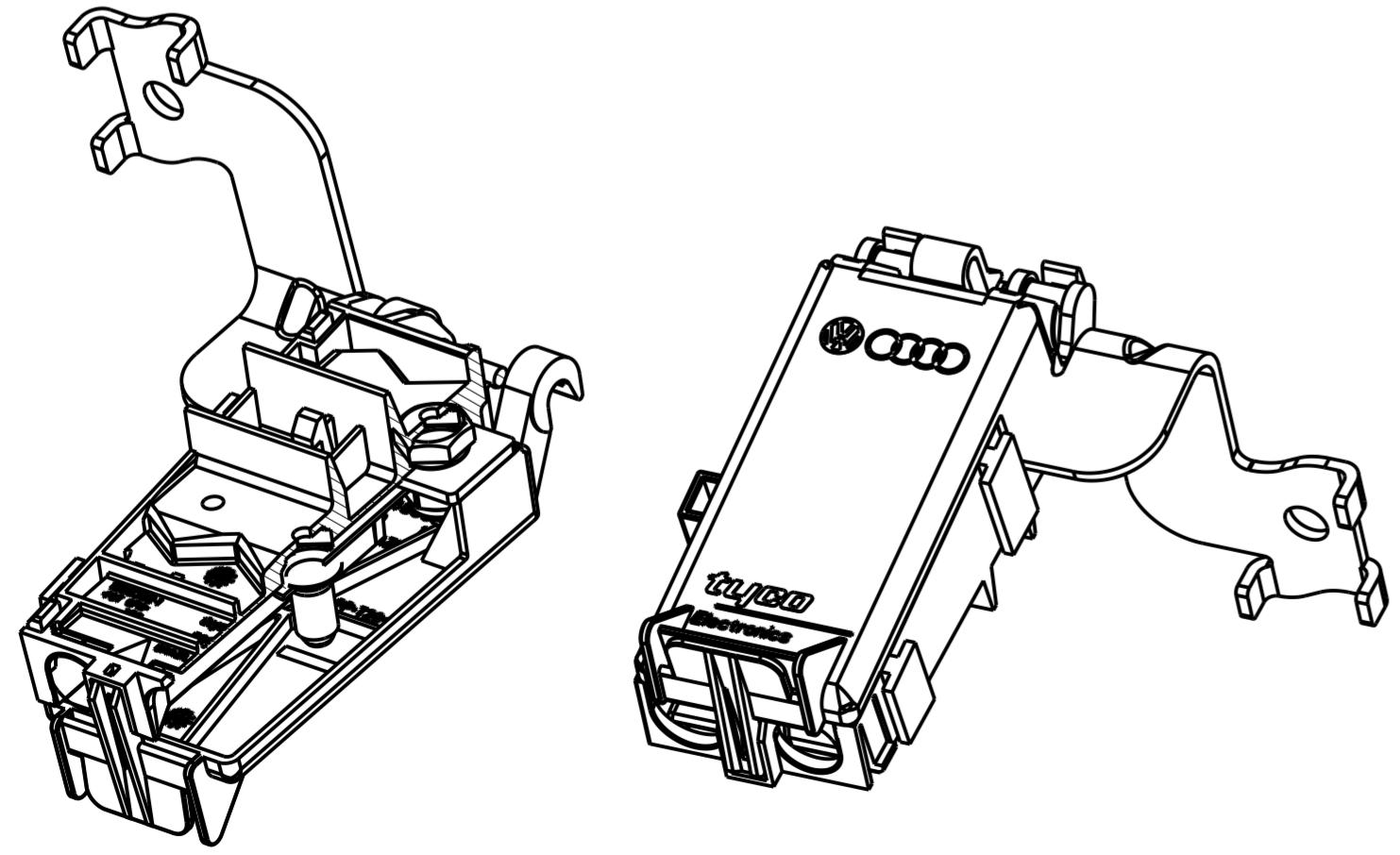
THIS DRAWING IS UNPUBLISHED. RELEASED FOR PUBLICATION 20  
 (C) COPYRIGHT 20 ALL RIGHTS RESERVED.

LOC		DIST		REVISIONS			
P	LTR	DESCRIPTION	DATE	DWN	APVD		
AP	-						
A		RSA-14-086-01	24JUL2014	NCL	NMS		

**creo**  
 Creo Parametric 2.0  
**DO NOT REVISE**  
**EXCEPT BY CAD**



GRAVAÇÕES MARKINGS
LOGOTIPO TE TE LOGO
CÓDIGO PAÍS PRODUTOR MANUFACTURER COUNTRY CODE
NOMENCLATURA MATERIAL MATERIAL NOMENCLATURE
NÚMERO COMPONENTE TE TE COMPONENT NUMBER
NÚMERO CAVIDADE CAVITY NUMBER
LOGOTIPO CLIENTE CUSTOMER LOGO
PAÍS PRODUTOR MANUFACTURER COUNTRY
REV+ LETRA REV.DA PEÇA REV.+ PART REV.LETTER
DATADOR DATE CODE



REQ. PER ASSY	ITEM	DESCRIÇÃO DESCRIPTION	MATERIAL	ACABAMENTO FINISH
1	7	FUSÍVEL / FUSE 60A	ZINC ALLOY	—
1	6	FUSÍVEL / FUSE 30A	ZINC ALLOY	—
2	5	PORCA / NUT M6, SELF LOCKING	AÇO / STEEL ISO 4032-M6-8	Zn/Ni INCOLOR/COLORLESS
-	2	FUSÍVEL / FUSE 110A	ZINC ALLOY	ESTANHADO / TIN PLATED
1	3	BARRAMENTO / BUSBAR 2 POSITIONS	LATÃO / BRASS	ESTANHADO / TIN PLATED
1	2	MAXI FUSE BOX COVER	PP+T20	PRETO / BLACK
1	1	HOUSING, 2 POSN.	—	—

THIS DRAWING IS A CONTROLLED DOCUMENT.

DWN: NCLAPRESA 24JUL2014  
 CHK: ECHRISTIANO 24JUL2014  
 APVD: NMSANTOS 24JUL2014

**STE** TE Connectivity

NAME: HOUSING ASSY., 2 POSITION

SIZE: A2 CAGE CODE: 00779 DRAWING NO: 1599284 RESTRICTED TO: -

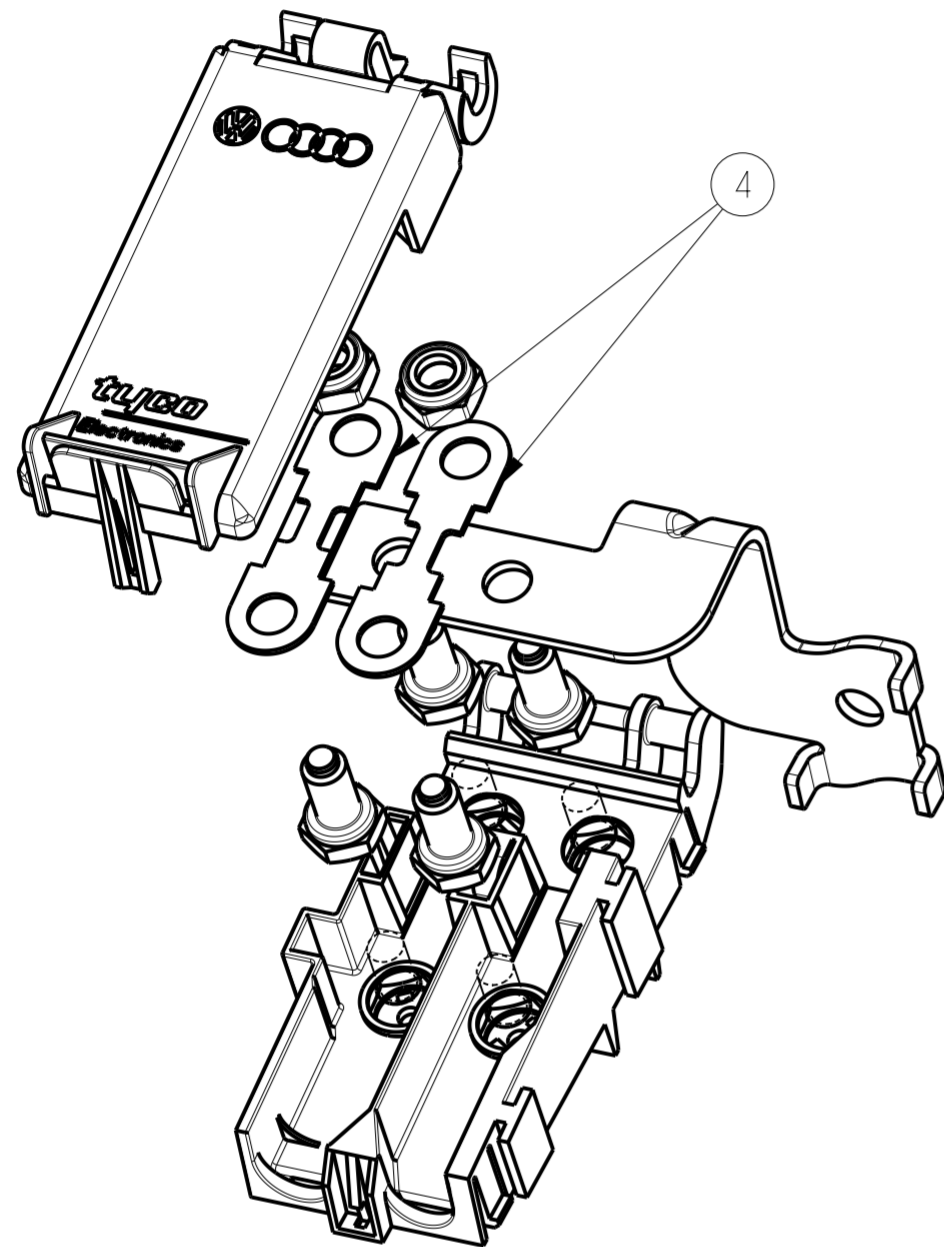
MATERIAL: SEE TABLE TOLERANCES UNLESS OTHERWISE SPECIFIED: SEE TABLE

Customer Drawing SCALE: 1:1 SHEET 1 OF 2 REV A

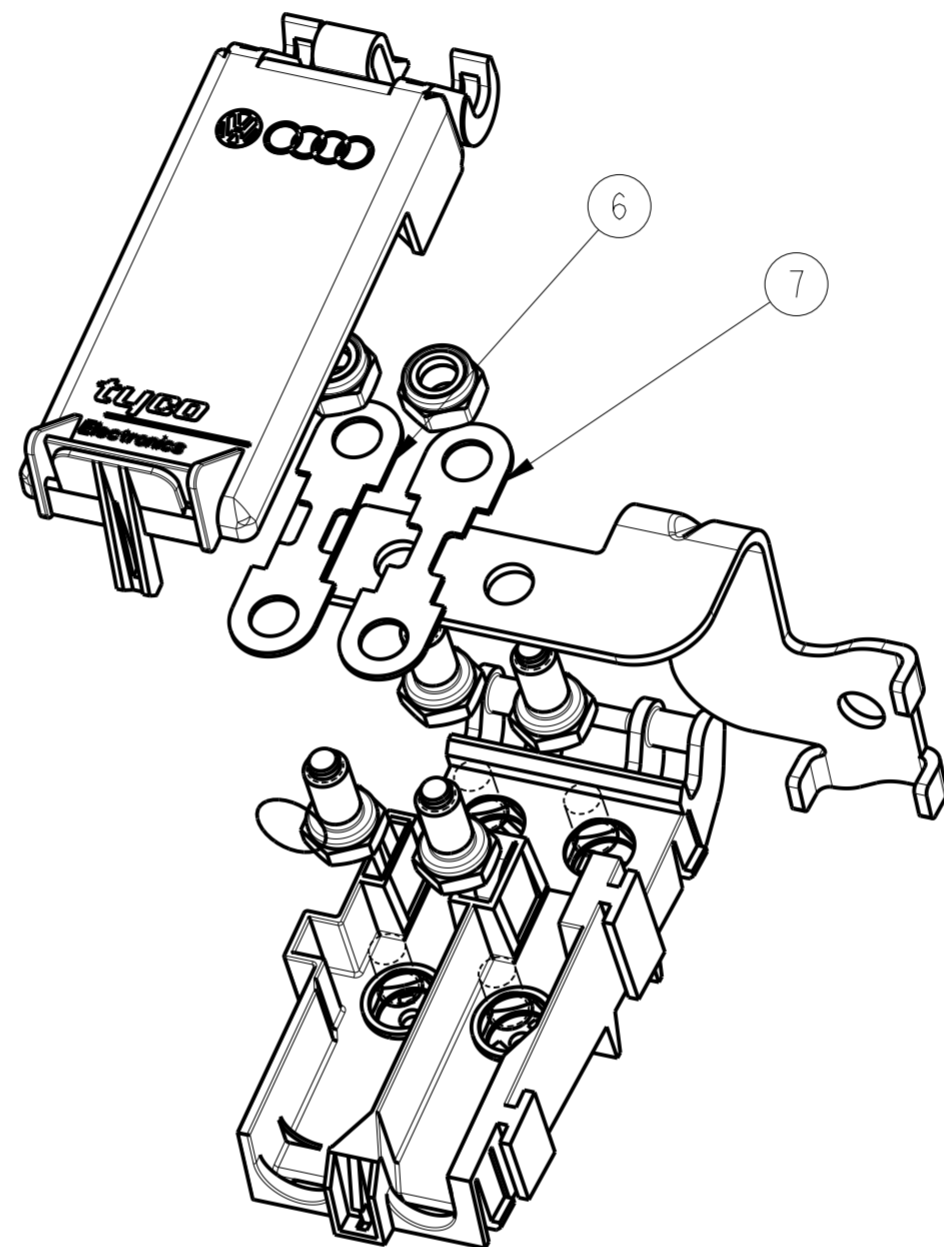
THIS DRAWING IS UNPUBLISHED. RELEASED FOR PUBLICATION 20  
 © COPYRIGHT 20 BY - ALL RIGHTS RESERVED.

LOC AP DIST -  
**creo**  
 Creo Parametric 2.0  
**DO NOT REVISE EXCEPT BY CAD**


REVISIONS					
P	LTR	DESCRIPTION	DATE	DWN	APVD
-	-	SEE SHEET 1	-	-	-



**EXPLODED VIEW**  
**1599284-1**



**EXPLODED VIEW**  
**1599284-2**

THIS DRAWING IS A CONTROLLED DOCUMENT.		DWN NCLAPRESA 24 JUL 2014	 TE Connectivity																						
DIMENSIONS: mm		CHK JRGOLDSCHMIDT 24 JUL 2014																							
TOLERANCES UNLESS OTHERWISE SPECIFIED		APVD NMSANTOS 24 JUL 2014	NAME - HOUSING ASSY., 2 POSITION																						
<table border="1"> <tr><td>0</td><td>PLC</td><td>±</td></tr> <tr><td>1</td><td>PLC</td><td>±</td></tr> <tr><td>2</td><td>PLC</td><td>±</td></tr> <tr><td>3</td><td>PLC</td><td>±</td></tr> <tr><td>4</td><td>PLC</td><td>±</td></tr> <tr><td colspan="2">ANGLES</td><td>±</td></tr> <tr><td colspan="2">FINISH</td><td>±</td></tr> </table>		0	PLC	±	1	PLC	±	2	PLC	±	3	PLC	±	4	PLC	±	ANGLES		±	FINISH		±	PRODUCT SPEC -	SIZE A2	
0	PLC	±																							
1	PLC	±																							
2	PLC	±																							
3	PLC	±																							
4	PLC	±																							
ANGLES		±																							
FINISH		±																							
MATERIAL SEE TABLE		APPLICATION SPEC -	CAGE CODE -	DRAWING NO C-1599284	RESTRICTED TO -																				
		WEIGHT -	SCALE 1:1		SHEET 2 OF 2																				
		Customer Drawing		REV A																					