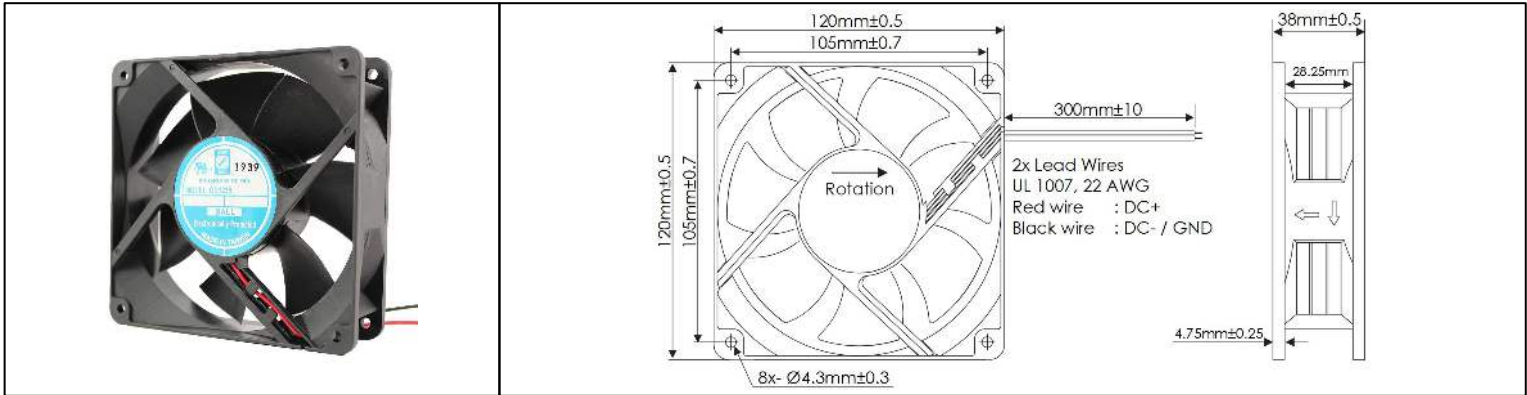


OD1238 IP68 Series



DC Fans - 12, 24, 48V
120mm x 38mm (4.7" x 1.5")



Frame	PBT, UL94 V-0 Plastic	Operating Temperature -20°C ~ +65°C Storage Temperature -25°C ~ +75°C Life Expectancy 65,000 Hours (L10 at 45°C) Available Options Tachometer Output Alarm Output PWM Speed Control Input Temperature Speed Control Weight: 0.57 lbs	
Impeller	PBT, UL94 V-0 Plastic		
Connection	2x Lead Wires, 22 AWG		
Motor	Brushless DC, Auto Cutoff, Auto Restart, Polarity Protected, Electronically Protected, IP68		
Bearing System	Ball Bearings		
Dielectric Strength	500VDC/min, <1mA		
Insulation Resistance	≥10MΩ @ 500 VDC		

Part Number	Rated Voltage (Volts DC)	Voltage Range (Volts DC)	Input Power (Watts)	Rated Current (Max Amps)	Rated Speed (RPM)	Max Airflow (CFM)	Noise Level (dBA)	Max Static Pressure ("H ₂ O)
OD1238-12H3BIP68	12	9 ~ 13.8	17.7	1.43	4190	178.0	54	0.977
OD1238-12HHBIP68	12	9 ~ 13.8	10.0	0.90	3195	135.8	48.2	0.558
OD1238-12HBIP68	12	9 ~ 13.8	6.0	0.50	2895	124.1	44.1	0.469
OD1238-12MBIP68	12	9 ~ 13.8	4.8	0.40	2597	114.7	41.3	0.427
OD1238-12LBIP68	12	9 ~ 13.8	2.4	0.20	1975	89.5	35.6	0.316
OD1238-24H3BIP68	24	16 ~ 26	22.1	0.90	4190	178.0	54	0.98
OD1238-24HHBIP68	24	16 ~ 26	15.0	0.62	3195	135.8	48.2	0.558
OD1238-24HBIP68	24	16 ~ 26	12.0	0.50	2895	124.1	44.1	0.469
OD1238-24MBIP68	24	16 ~ 26	8.0	0.34	2597	114.7	41.3	0.427
OD1238-24LBIP68	24	16 ~ 26	4.0	0.15	1975	89.5	35.6	0.316
OD1238-48H3BIP68	48	30 ~ 52	20.5	0.41	4190	178.0	54	0.98
OD1238-48HHBIP68	48	30 ~ 52	15.0	0.30	3195	135.8	48.2	0.558
OD1238-48HBIP68	48	30 ~ 52	14.0	0.29	2895	124.1	44.1	0.469
OD1238-48MBIP68	48	30 ~ 52	7.0	0.14	2597	114.7	41.3	0.427
OD1238-48LBIP68	48	30 ~ 52	4.0	0.07	1975	89.5	35.6	0.316