

# LTC7817

## Triple Output Synchronous Step-Up/Dual Step-Down Supply

### DESCRIPTION

Demonstration circuit 3033A is a triple output synchronous step-up/dual step-down supply featuring the [LTC®7817](#). The demonstration circuit is designed for two buck outputs 5V/10A, 3.3V/10A supplied by a boosted 10V output. Benefiting from this feature, the buck outputs are able to maintain regulation over a wide input voltage range of 4.5V to 36V which is suitable for automotive or other battery fed applications. Also, the demonstration circuit uses a drop-in layout whereas the main buck circuit components fit in an area of ¾-inch by 1½-inch, while the main boost circuit area is ¾-inch by 1¾-inch. The package style for the LTC7817 is a 38-pin exposed pad QFN.

The main features of the board include rail tracking (buck channels only), an internal 5V linear regulator for bias, separated RUN pins for each output, a PGOOD signal (CH1 only), and a mode selector that allow the converter to run in forced continuous mode (FCM), pulse-skipping (PSM) or Burst Mode® operation (BURST). Synchronization to an external clock is also possible. The LTC7817 data sheet gives a complete description of these parts, operation and application information. The data sheet must be read in conjunction with this quick start guide for demo circuit 3033A.

[Design files for this circuit board are available.](#)

All registered trademarks and trademarks are the property of their respective owners.

### PERFORMANCE SUMMARY

Specifications are at  $T_A = 25^\circ\text{C}$

SYMBOL	PARAMETER	CONDITIONS	MIN	TYP	MAX	UNITS
$V_{IN}$	Input Supply Range	Operating (Note 1)	4.5		36	V
		Continuous Operation, $I_{OUT1} = 0A - 10A$ , $I_{OUT2} = 0A - 10A$ , Free Air		8	16	V
$V_{OUT1}$	Output1 Voltage		3.2	3.3	3.4	V
$V_{OUT2}$	Output2 Voltage		4.9	5	5.1	V
$V_{OUT3}$	Output3 Voltage	$V_{IN} = 4.5V - 10V$ (Note 2)	9.8	10	10.2	V
$I_{OUT1}$	Output1 Current				10	A
$I_{OUT2}$	Output2 Current				10	A
$I_{OUT3}$	Output3 Current	(Note 3)			10	A
$f_{SW}$	Switching Frequency			2200		kHz
POUT/PIN	Efficiency	$V_{IN} = 12V$ , $V_{OUT1} = 3.3V$ , $I_{OUT1} = 10A$ , $RUN2 = 0$		88		%
		$V_{IN} = 12V$ , $V_{OUT2} = 5V$ , $I_{OUT2} = 10A$ , $RUN1 = 0$		91.4		%
		$V_{IN} = 12V$ , $V_{OUT1} = 5V$ , $V_{OUT2} = 3.3V$ , $I_{OUT1} = 10A$ , $I_{OUT2} = 10A$		89.8		%
		$V_{IN} = 8V$ , $V_{OUT3} = 10V$ , $I_{OUT3} = 10A$ , $RUN1,2 = 0$		94.3		%

**Note 1:** When  $4.5V < V_{IN} < 8V$  and  $16V < V_{IN} < 36V$ , only short time operation is allowed at maximum output power (free air). For example, run 10sec when  $V_{IN} = 4.5V$ , 2min when  $V_{IN} = 6V$ , 2min when  $V_{IN} = 26V$ , 10sec when  $V_{IN} = 36V$  or continuously operate for de-rated output current.

**Note 2:**  $V_{OUT3}$  follows  $V_{IN}$  when  $V_{IN} > V_{OUT3}$ .

**Note 3:** 10A Maximum output includes the current supplying CH1 and CH2.



## QUICK START PROCEDURE

Demonstration circuit 3033A is easy to set up to evaluate the performance of the LTC7817. Refer to Figure 1 for the proper measurement equipment setup and follow the procedure below.

**Note:** When measuring the output voltage ripple, care must be taken to avoid a long ground lead on the oscilloscope probe. Measure the input or output voltage ripple by touching the probe tip directly across the  $V_{IN}$  or  $V_{OUT}$  and GND terminals or directly across the relevant capacitor. See Figure 2 for proper scope probe technique.

1. Place jumpers in the following positions:

JP1 ON

JP2 ON

JP3 ON

JP4 Force Continuous Mode (FCM)

2. With power off, connect the input power supply to  $V_{IN}$  and GND. With power off, connect loads from  $V_{OUT}$  to GND.

3. Turn on the power at the input.

**Note:** Make sure that the input voltage does not exceed 36V.

4. Check for the proper output voltages:

$V_{OUT1} = 3.2V$  to  $3.4V$

$V_{OUT2} = 4.9V$  to  $5.1V$

$V_{OUT3} = 9.8V$  to  $10.2V$  ( $V_{OUT3}$  follows  $V_{IN}$  when  $V_{IN}$  is higher than 10V)

**Note:** If there is no output, temporarily disconnect the load to make sure that the load is not set too high.

5. Once the proper output voltages are established, adjust the loads within the operating ranges and observe the output voltage regulation, ripple voltage, efficiency, and other parameters.

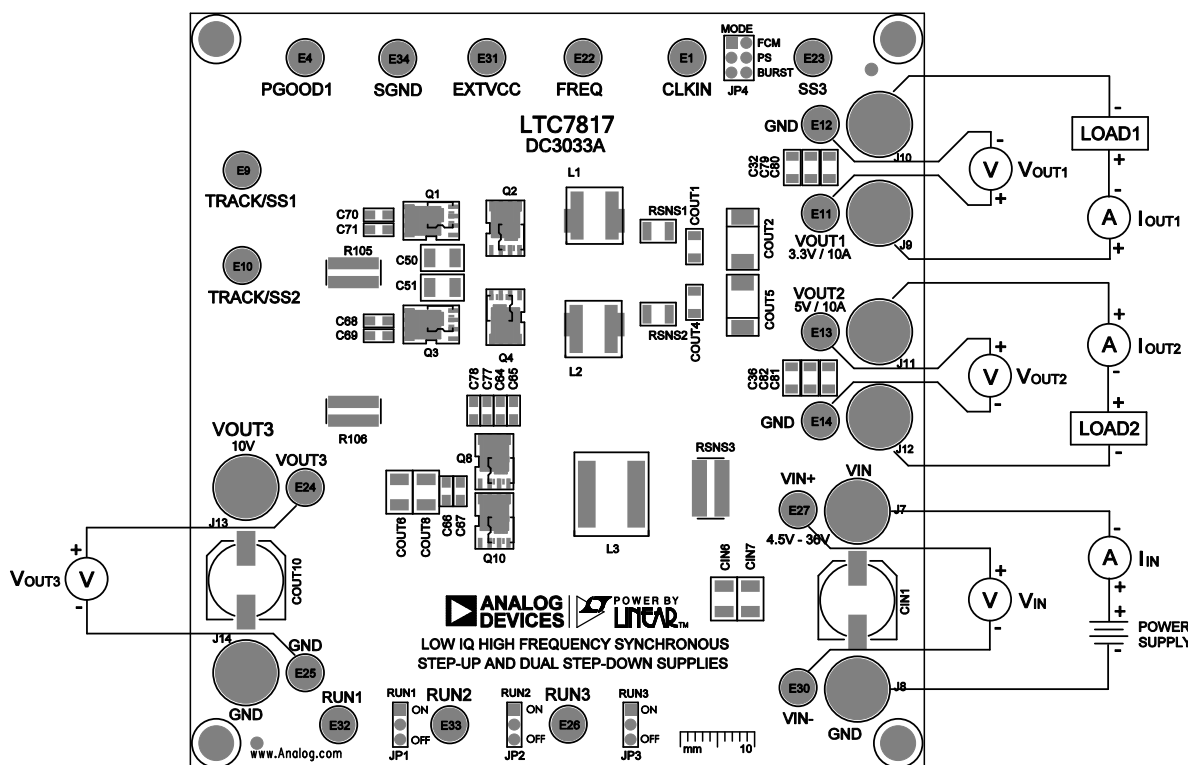


Figure 1. Proper Measurement Equipment Setup

## QUICK START PROCEDURE

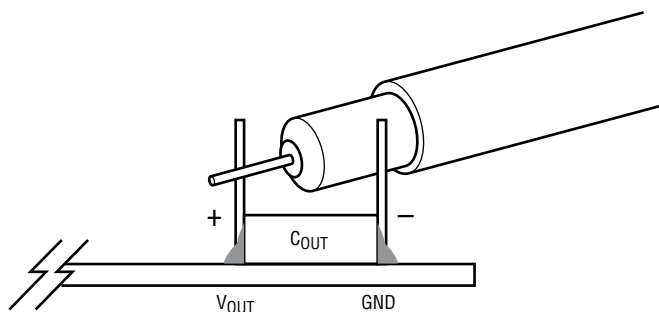


Figure 2. Measuring Output Voltage Ripple

### Mode Selection and Frequency Synchronization

The Demonstration circuit 3033A’s mode selector allows the converter to run in FCM operation, pulse-skipping and Burst Mode operation by changing the position of JP4.

For synchronizing to an external clock source, JP4 jumper needs to be removed. Apply the external clock from PLLIN/MODE turret to GND. Refer to Table 1 and to the data sheet for more details.

### Rail Tracking

Demonstration circuit 3033A is configured for an on-board soft-start circuit. The soft-start ramp rate can be adjusted by changing the value of C2 and C47. Demonstration circuit 3033A can also be modified to track an external reference. Refer to Table 2 and Table 3 for tracking options and to the data sheet for more details.

Table 1. Mode Selection and Synchronizing Operation Options

CONFIGURATION	MODE JUMPER
Force Continuous Mode Operation	FCM
Pulse-Skipping Mode Operation	PS
Burst Mode Operation	BURST
Synchronize to External Clock (External Clock Apply to PLLIN/MODE Turret)	Remove Jumper JP4

Table 2.  $V_{OUT1}$  Tracking Options

CONFIGURATION	R2	R3	C2	TRK/SS1 CAP
Soft-Start without Tracking (Default)	OPEN	OPEN	0.1 $\mu$ F	OPEN
$V_{OUT1}$ Tracking Scaled $V_{OUT2}$	Resistor Divider	Resistor Divider	OPEN	OPEN

Table 3.  $V_{OUT2}$  Tracking Options

CONFIGURATION	R34	R37	C47	TRK/SS2 CAP
Soft-Start without Tracking (Default)	0 $\Omega$	OPEN	0.1 $\mu$ F	OPEN
$V_{OUT2}$ Equals External Ramp	0 $\Omega$	OPEN	OPEN	External Ramp
$V_{OUT2}$ Tracking Scaled External Ramp	Resistor Divider	Resistor Divider	OPEN	External Ramp

## QUICK START PROCEDURE

### Optional Inductor DCR Current Sensing

Demonstration circuit 3033A provides an optional circuit for Inductor DCR current sensing. Inductor DCR current sensing uses the DC resistance of the inductor to sense the inductor current instead of discrete sense resistors. The advantages of DCR sensing are lower cost, reduced board space, and higher efficiency, but the disadvantage is a less accurate current limit. If DCR sensing is used, be sure to select an inductor with a sufficiently high saturation current.

Refer to Table 4 for optional inductor DCR current sensing setup and to the data sheet for more details.

### Low Quiescent Current Applications

The typical quiescent current ( $I_Q$ ) of the LTC7817 controller is  $14\mu\text{A}$  in sleep mode as specified in the LTC7817 data sheet. However, the input current of the DC3033A board can be higher than this value because of the additional circuit outside of the IC. Several methods can be adopted to reduce the total input current:

1. Large value FB divider resistors should be used.
2. If 8V or 10V boost output is required, connecting  $V_{PRG3}$  to GND or  $\text{INTV}_{CC}$ , with  $V_{FB3}$  directly connected to the output can reduce  $I_Q$ .
3. In addition, the optional pull-up resistors should be removed from the board.

### Minimum On-Time Causes Channel 2 and Channel 3 to Skip Pulses

The typical minimum on-time  $T_{ON(MIN)}$  of the LTC7817 is 40ns for the Buck channels, and 80ns for the boost channel as specified in the data sheet. Therefore, when the input voltage is higher than 30V the CH2 may start to skip pulses at no load condition. And when the input voltage is higher than 7.5V, the CH3 may start to skip pulses at no load condition.

### Thermal Derating of the Buck Channels

The maximum DC output current of each buck channel is specified at the nominal input voltage, which is 8V~16V. At higher input voltage, because of the increased power losses, the output currents should be derated. The power devices (power MOSFETs, inductors) surface temperature must be monitored to ensure safe steady-state operation at higher input voltages.

### EXTV<sub>CC</sub> Supply

With the high switching frequency, the power losses imposed on the LTC7817 on-board gate drivers and LDO become a concern. Apply an external supply voltage to the  $\text{EXTV}_{CC}$  turret can help reduce LDO loss. On the DC3033A board, by removing R55 and placing zero ohm for R93, 5V (output of channel 2) will be provided for  $\text{EXTV}_{CC}$ .

**Table 4. Optional Inductor DCR Current Sensing**

CONFIGURATION	CHANNEL1	RSNS1	R30	C14	R45	R47	R61
	CHANNEL2	RSNS2	R40	C15	R51	R53	R62
	CHANNEL3	RSNS3	R81	C56	R89	R90	R91
Current Sense Resistor (Default)		Ref. Sch.	Ref. Sch.	Ref. Sch.	OPEN	OPEN	OPEN
Inductor DCR Current Sensing		0Ω Copper	OPEN	Calculated Value from Data Sheet			0Ω

## TYPICAL PERFORMANCE CHARACTERISTICS

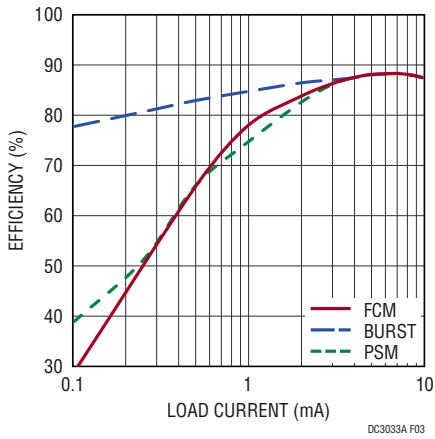


Figure 3. CH1 Efficiency ( $V_{IN} = 12V$ ,  $V_{OUT1} = 3.3V$ )

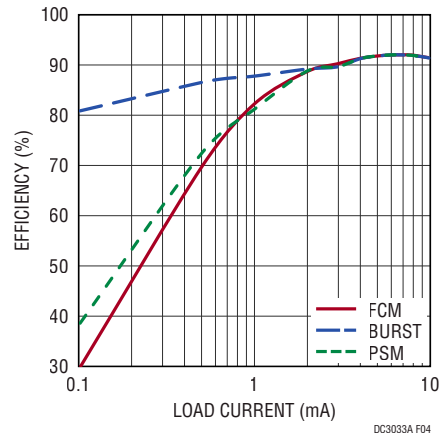


Figure 4. CH2 Efficiency ( $V_{IN} = 12V$ ,  $V_{OUT2} = 5V$ )

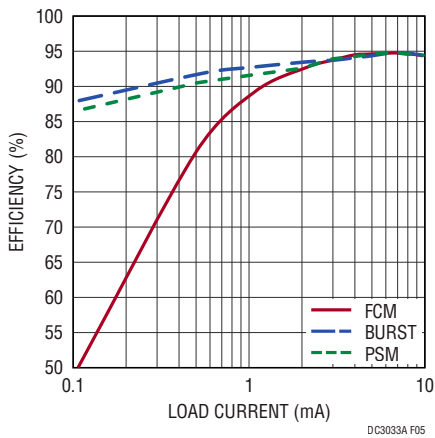


Figure 5. CH3 Efficiency ( $V_{IN} = 8V$ ,  $V_{OUT3} = 10V$ )

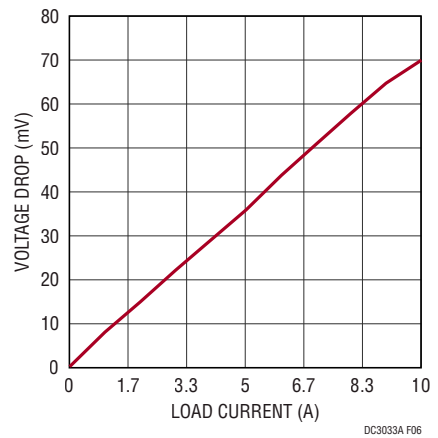
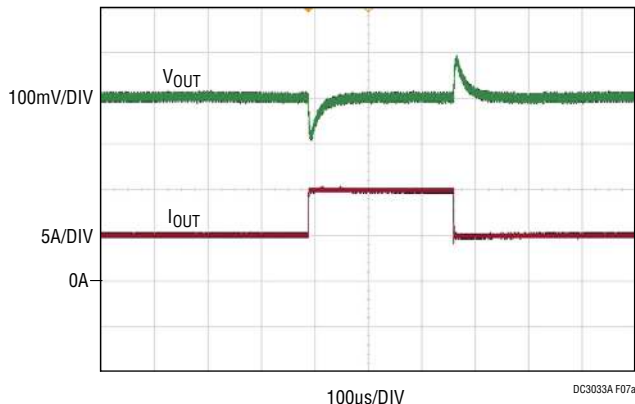
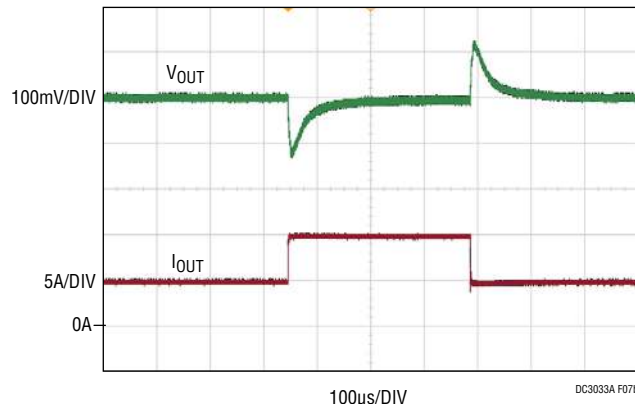


Figure 6. CH3 Voltage Drop in Pass-Thru™ Mode

**TYPICAL PERFORMANCE CHARACTERISTICS**

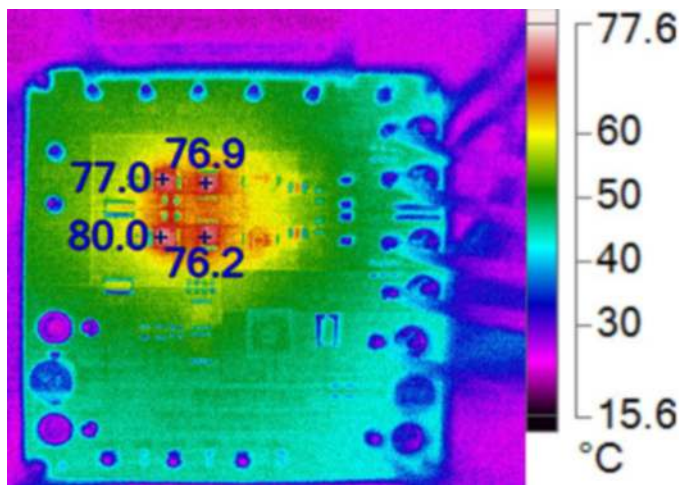


(a) CH1:  $V_{OUT1} = 3.3V$

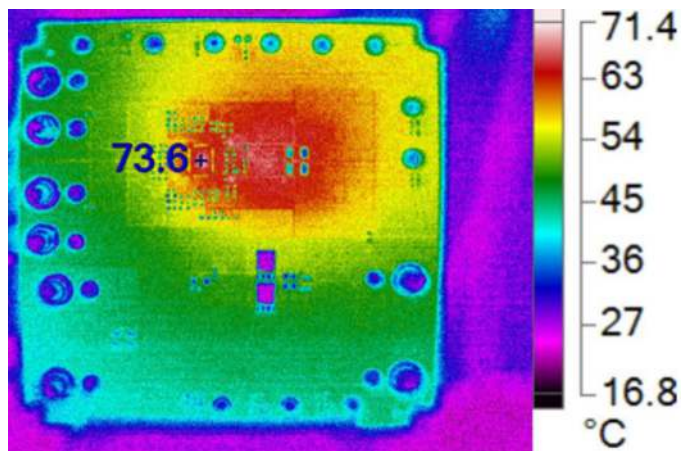


(b) CH2:  $V_{OUT2} = 5V$

Figure 7. Transient Response Waveform at 12V  $V_{IN}$  and 5A – 10A – 5A Load Current



(a) Front View



(b) Back View

Figure 8. Thermal Image:  $V_{IN} = 12V$ ,  $V_{OUT1} = 3.3V$ ,  $I_{OUT1} = 10A$ ,  $V_{OUT2} = 5V$ ,  $I_{OUT2} = 10A$ , No Airflow,  $T_A = 25^\circ C$

# DEMO MANUAL DC3033A

## PARTS LIST

ITEM	QTY	REFERENCE	PART DESCRIPTION	MANUFACTURER/PART NUMBER
<b>Required Circuit Components</b>				
1	6	C2, C17, C20, C21, C47, C52	CAP, 0.1 $\mu$ F, X7R, 25V, 10%, 0603	AVX, 06033C104KAT2A
2	1	C4	CAP, 1 $\mu$ F, X7R, 16V, 10%, 0603	KEMET, C0603C105K4RAC7867
3	1	C11	CAP, 4.7 $\mu$ F, X5R, 6.3V, 10%, 0805	AVX, 08056D475KAT2A
4	5	C14, C15, C56, C62, C74	CAP, 1000pF, X7R, 50V, 10%, 0603	AVX, 06035C102KAT2A
5	8	C32, C36, C79, C80, C81, C82, COUT1, COUT4	CAP, 47 $\mu$ F, X5R, 6.3V, 20%, 1206	MURATA, GRM31CR60J476ME19L
6	2	C37, C49	CAP, 10pF, X7R, 50V, 10%, 0603	AVX, 06035C100KAT2A
7	1	C41	CAP, 2200pF, X7R, 25V, 10%, 0603	AVX, 06033C222KAT2A
8	2	C42, C43	CAP, 47pF, C0G, 50V, 5%, 0603, AEC-Q200	AVX, 06035A470J4T2A
9	1	C44	CAP, 2200pF, X7R, 50V, 10%, 0603	AVX, 06035C222KAT2A
10	9	C50, C51, CIN6, CIN7, COUT6, COUT7, COUT8, CIN8, CIN9	CAP, 10 $\mu$ F, X7S, 50V, 10%, 1210	TAIYO YUDEN, UMK325C7106KM-T
11	1	C53	CAP, 820pF, C0G, 50V, 5%, 0603	AVX, 06035A821JAT2A
12	1	C54	CAP, 0.01 $\mu$ F, X7R, 50V, 10%, 0603	AVX, 06035C103KAT2A
13	10	C64, C65, C66, C67, C68, C69, C70, C71, C77, C78	CAP, 1 $\mu$ F, X7R, 50V, 10%, 0805	TAIYO, YUDEN, UMK212B7105KG-T
14	2	CIN1, COUT10	CAP, 120 $\mu$ F, ALUM. ELECT., 50V, 20%, 10mm x 10.2mm SMD, RADIAL, AEC-Q200	PANASONIC, EEHZC1H121P
15	2	D1, D2	DIODE, SCHOTTKY, 40V, 250mA, SOD323	ON-SEMICONDUCTOR, NSR0240HT1G
16	1	D6	DIODE, SCHOTTKY, 100V, 250mW, SOD-323	ROHM, RB578VYM100FH
17	2	L1, L2	IND., 0.3 $\mu$ H, PWR., 20%, 10A, 21.45m $\Omega$ , SMD 7.5mm x 7.5mm, AEC-Q200	COILCRAFT, XAL7030-301ME
18	1	L3	IND., 0.18 $\mu$ H, PWR., 20%, 120A, 11.3mm x 10mm SMD, XAL1060, AEC-Q200	COILCRAFT, XAL1060-181MEC
19	4	Q1, Q2, Q3, Q4	XSTR., MOSET, N-CH, 40V, 50A, PG-TDSON-8-33, AEC-Q101	INFINEON, IPC50N04S5L-5R5
20	2	Q8, Q10	XSTR., MOSFET, N-CH, 40V, 90A, PG-TDSON-8-33, AEC-Q101	INFINEON, IPC90N04S5L-3R3
21	15	R9, R25, R34, R36, R55, R70, R78, R84, R87, R94, R95, R96, R97, R98, R99	RES., 0 $\Omega$ , 1/10W, 0603, AEC-Q200	VISHAY, CRCW06030000Z0EA
22	2	R10, R105	RES., 0 $\Omega$ , 1W, 2512, 7A, AEC-Q200	VISHAY, CRCW25120000Z0EG
23	3	R30, R40, R81	RES., 20 $\Omega$ , 1/10W, 0603, AEC-Q200	PANASONIC, ERJ-3EKF20R0V
24	5	R26, R38, R46, R48, R104	RES., 100k, 5%, 1/10W, 0603	PANASONIC, ERJ3GEYJ104V
25	1	R27	RES., 210k, 1%, 1/10W, 0603	NIC, NRC06F2103TRF
26	1	R31	RES., 10k, 1%, 1/10W, 0603, AEC-Q200	PANASONIC, ERJ3EKF1002V
27	2	R32, R33	RES., 68.1k, 1%, 1/10W, 0603, AEC-Q200	PANASONIC, ERJ3EKF6812V
28	1	R35	RES., 9.1k, 1%, 1/10W, 0603, AEC-Q200	PANASONIC, ERJ3EKF9101V



## PARTS LIST

ITEM	QTY	REFERENCE	PART DESCRIPTION	MANUFACTURER/PART NUMBER
29	1	R43	RES., 357k, 1%, 1/10W, 0603, AEC-Q200	PANASONIC, ERJ3EKF3573V
30	1	R75	RES., 3.6k, 1%, 1/10W, 0603, AEC-Q200	PANASONIC, ERJ3EKF3601V
31	1	R86	RES., 2.2Ω, 5%, 1/10W, 0603, AEC-Q200	PANASONIC, ERJ3GEYJ2R2V
32	1	R92	RES., 1MΩ, 1%, 1/10W, 0603, AEC-Q200	VISHAY, CRCW06031M00FKEA
33	2	RSNS1, RSNS2	RES., 0.003Ω, 5%, 1W, 1210, AEC-Q200	ROHM, PMR25HZPJV3L0
34	1	RSNS3	RES., 0.002Ω, 2%, 3W, 2512, AEC-Q200	SUSUMU, KRL6432E-M-R002-G-T1
35	1	U1	IC, HIGH FREQ. SYNCHRONOUS STEP-UP/DUAL STEP-DOWN POWER SUPPLY, 40QFN	ANALOG DEVICES, LTC7817EUHF#PBF

### Additional Demo Board Circuit Components

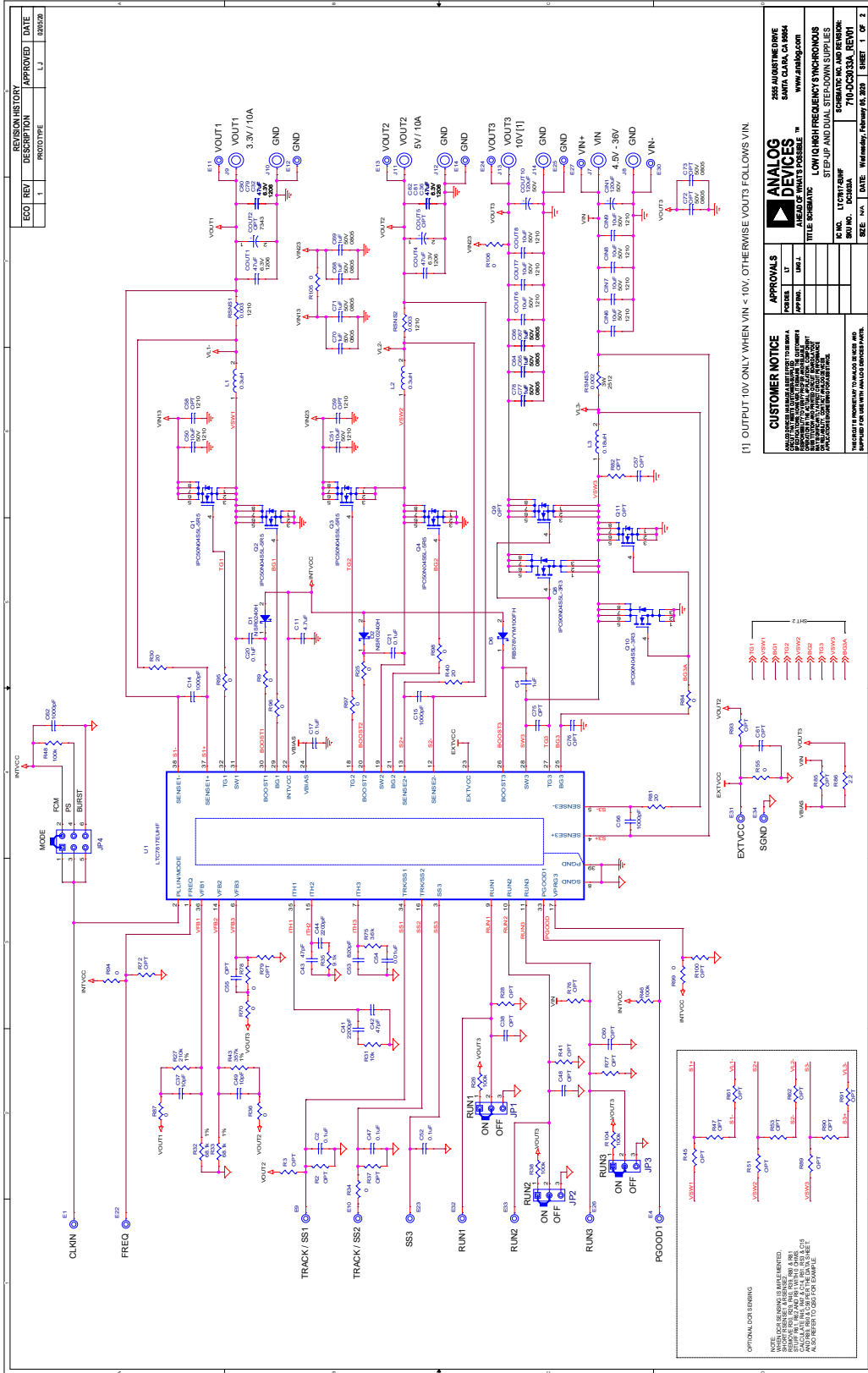
1	0	C38, C48, C55, C57, C60, C75, C76	CAP, OPTION, 0603	
2	0	C58, C59	CAP, OPTION, 1210	
3	0	C61, C72, C73	CAP, OPTION, 0805	
4	0	COU2, COU5	CAP, OPTION, 7343	
5	0	Q9, Q11	XSTR., OPTION, MOSFET N-CH, PG-TDSON-8	
6	0	Q12, Q13, Q14, Q15, Q16, Q17, Q18, Q19	XSTR., OPTION, MOSFET N-CH, PPAK SO-8	
7	0	R2, R3, R28, R37, R41, R45, R47, R51, R53, R61, R62, R72, R76, R77, R79, R85, R89, R90, R91, R93, R100, R103	RES., OPTION, 0603	
8	0	R82	RES., OPTION, 1206	
9	0	RSNS2	RES., OPTION, 2010	

### Hardware for Demo Board Only

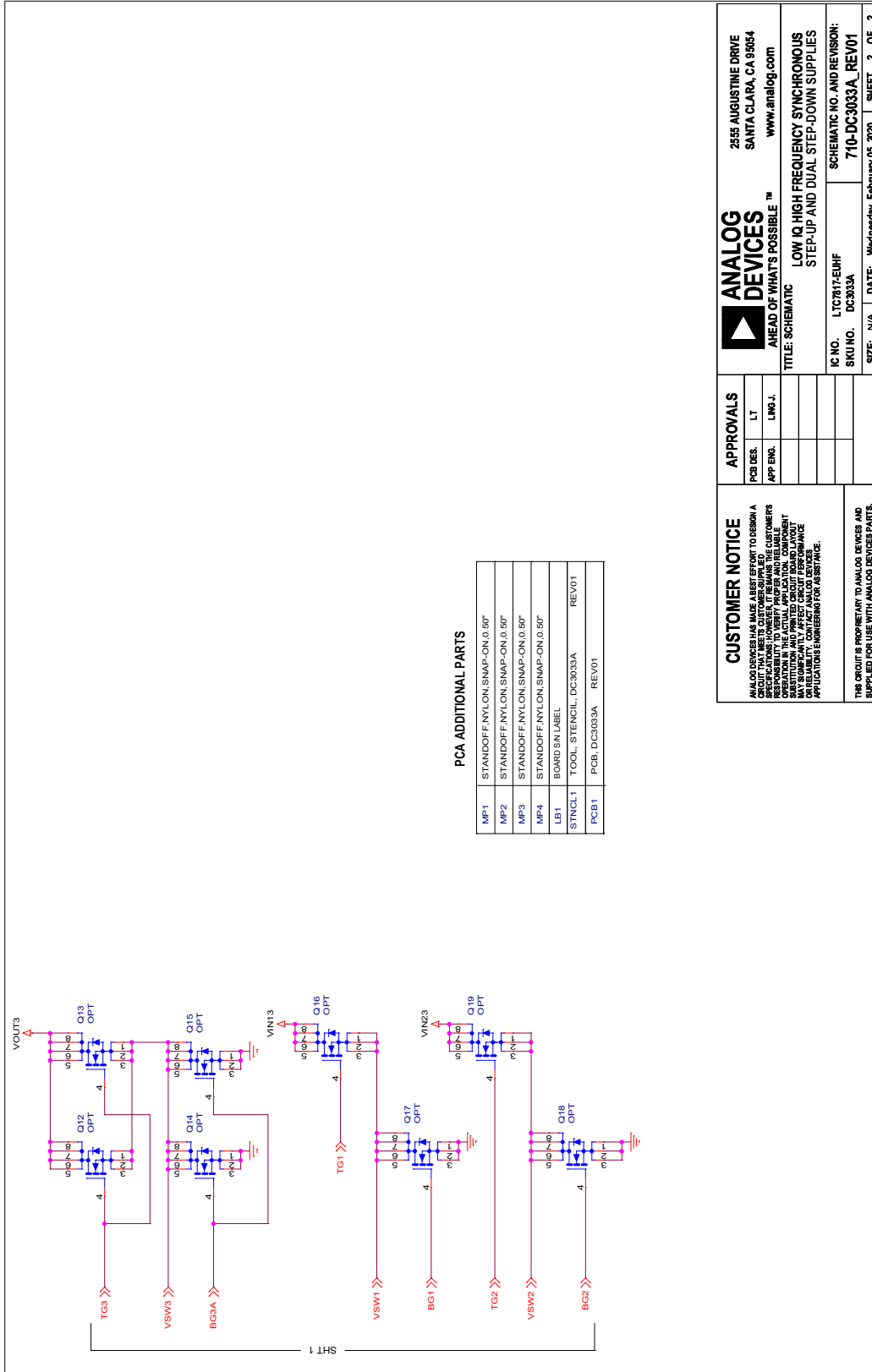
1	19	E1, E4, E9, E10, E11, E12, E13, E14, E22, E23, E24, E25, E26, E27, E30, E31, E32, E33, E34	TEST POINT, TURRET, 0.094" MTG. HOLE, PCB 0.062" THICK	MILL-MAX
2	8	J7, J8, J9, J10, J11, J12, J13, J14	CONN., BANANA JACK, FEMALE, THT, NON-INSULATED, SWAGE, 0.218"	KEYSTONE
3	3	JP1, JP2, JP3	CONN., HDR, MALE, 1×3, 2mm, VERT, STR, THT, NO SUBS. ALLOWED	WURTH ELEKTRONIK
4	1	JP4	CONN., HDR, MALE, 1×3, 2mm, VERT, STR, THT, NO SUBS. ALLOWED	WURTH ELEKTRONIK
5	5	XJP1, XJP2, XJP3, XJP4,	CONN., SHUNT, FEMALE, 2 POS, 2mm	WURTH ELEKTRONIK
6	4	MP1, MP2, MP3, MP4	STANDOFF, NYLON, SNAP-ON, 0.50"	WURTH ELEKTRONIK

# DEMO MANUAL DC3033A

## SCHEMATIC DIAGRAM



**SCHEMATIC DIAGRAM**



<p><b>ANALOG DEVICES</b> AHEAD OF WHAT'S POSSIBLE™ www.analog.com</p>	2555 AUGUSTINE DRIVE SANTA CLARA, CA 95054	
	TITLE: SCHEMATIC LOW IQ HIGH FREQUENCY SYNCHRONOUS STEP-UP AND DUAL STEP-DOWN SUPPLIES	
IC NO. LTC817-EMUF SKU NO. DC3033A	SCHEMATIC NO. AND REVISION: 710-DC-3033A_REV01	DATE: Wednesday, February 05, 2020
APPROVALS PCB DES. LT APP ENG. LING.J.	SIZE: N/A	SHEET 2 OF 2
<p><b>CUSTOMER NOTICE</b></p> ANALOG DEVICES HAS MADE A BEST EFFORT TO DESIGN A CIRCUIT THAT MEETS CUSTOMER-SUPPLIED REQUIREMENTS. HOWEVER, ANALOG DEVICES ASSUMES NO RESPONSIBILITY TO VERIFY PROPER AND SAFE OPERATION IN THE ACTUAL APPLICATION. COMPONENT VALUES AND PART NUMBERS ARE NOT GUARANTEED TO AFFECT CIRCUIT PERFORMANCE. APPLICATIONS ENGINEERING FOR ASSISTANCE.		
THE CIRCUIT IS PROPRIETARY TO ANALOG DEVICES AND SUPPLIED FOR USE WITH ANALOG DEVICES PARTS.		



## ESD Caution

**ESD (electrostatic discharge) sensitive device.** Charged devices and circuit boards can discharge without detection. Although this product features patented or proprietary protection circuitry, damage may occur on devices subjected to high energy ESD. Therefore, proper ESD precautions should be taken to avoid performance degradation or loss of functionality.

## Legal Terms and Conditions

By using the evaluation board discussed herein (together with any tools, components documentation or support materials, the "Evaluation Board"), you are agreeing to be bound by the terms and conditions set forth below ("Agreement") unless you have purchased the Evaluation Board, in which case the Analog Devices Standard Terms and Conditions of Sale shall govern. Do not use the Evaluation Board until you have read and agreed to the Agreement. Your use of the Evaluation Board shall signify your acceptance of the Agreement. This Agreement is made by and between you ("Customer") and Analog Devices, Inc. ("ADI"), with its principal place of business at One Technology Way, Norwood, MA 02062, USA. Subject to the terms and conditions of the Agreement, ADI hereby grants to Customer a free, limited, personal, temporary, non-exclusive, non-sublicensable, non-transferable license to use the Evaluation Board FOR EVALUATION PURPOSES ONLY. Customer understands and agrees that the Evaluation Board is provided for the sole and exclusive purpose referenced above, and agrees not to use the Evaluation Board for any other purpose. Furthermore, the license granted is expressly made subject to the following additional limitations: Customer shall not (i) rent, lease, display, sell, transfer, assign, sublicense, or distribute the Evaluation Board; and (ii) permit any Third Party to access the Evaluation Board. As used herein, the term "Third Party" includes any entity other than ADI, Customer, their employees, affiliates and in-house consultants. The Evaluation Board is NOT sold to Customer; all rights not expressly granted herein, including ownership of the Evaluation Board, are reserved by ADI. CONFIDENTIALITY. This Agreement and the Evaluation Board shall all be considered the confidential and proprietary information of ADI. Customer may not disclose or transfer any portion of the Evaluation Board to any other party for any reason. Upon discontinuation of use of the Evaluation Board or termination of this Agreement, Customer agrees to promptly return the Evaluation Board to ADI. ADDITIONAL RESTRICTIONS. Customer may not disassemble, decompile or reverse engineer chips on the Evaluation Board. Customer shall inform ADI of any occurred damages or any modifications or alterations it makes to the Evaluation Board, including but not limited to soldering or any other activity that affects the material content of the Evaluation Board. Modifications to the Evaluation Board must comply with applicable law, including but not limited to the RoHS Directive. TERMINATION. ADI may terminate this Agreement at any time upon giving written notice to Customer. Customer agrees to return to ADI the Evaluation Board at that time. LIMITATION OF LIABILITY. THE EVALUATION BOARD PROVIDED HEREUNDER IS PROVIDED "AS IS" AND ADI MAKES NO WARRANTIES OR REPRESENTATIONS OF ANY KIND WITH RESPECT TO IT. ADI SPECIFICALLY DISCLAIMS ANY REPRESENTATIONS, ENDORSEMENTS, GUARANTEES, OR WARRANTIES, EXPRESS OR IMPLIED, RELATED TO THE EVALUATION BOARD INCLUDING, BUT NOT LIMITED TO, THE IMPLIED WARRANTY OF MERCHANTABILITY, TITLE, FITNESS FOR A PARTICULAR PURPOSE OR NON-INFRINGEMENT OF INTELLECTUAL PROPERTY RIGHTS. IN NO EVENT WILL ADI AND ITS LICENSORS BE LIABLE FOR ANY INCIDENTAL, SPECIAL, INDIRECT, OR CONSEQUENTIAL DAMAGES RESULTING FROM CUSTOMER'S POSSESSION OR USE OF THE EVALUATION BOARD, INCLUDING BUT NOT LIMITED TO LOST PROFITS, DELAY COSTS, LABOR COSTS OR LOSS OF GOODWILL. ADI'S TOTAL LIABILITY FROM ANY AND ALL CAUSES SHALL BE LIMITED TO THE AMOUNT OF ONE HUNDRED US DOLLARS (\$100.00). EXPORT. Customer agrees that it will not directly or indirectly export the Evaluation Board to another country, and that it will comply with all applicable United States federal laws and regulations relating to exports. GOVERNING LAW. This Agreement shall be governed by and construed in accordance with the substantive laws of the Commonwealth of Massachusetts (excluding conflict of law rules). Any legal action regarding this Agreement will be heard in the state or federal courts having jurisdiction in Suffolk County, Massachusetts, and Customer hereby submits to the personal jurisdiction and venue of such courts. The United Nations Convention on Contracts for the International Sale of Goods shall not apply to this Agreement and is expressly disclaimed.