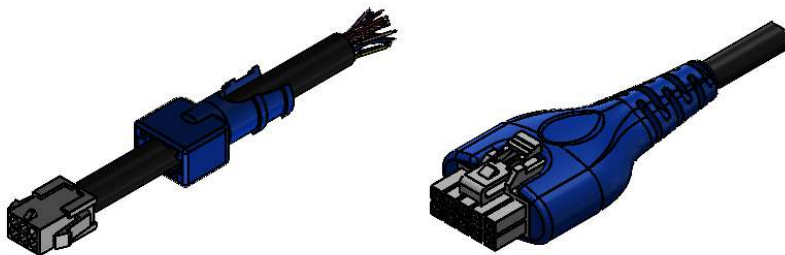
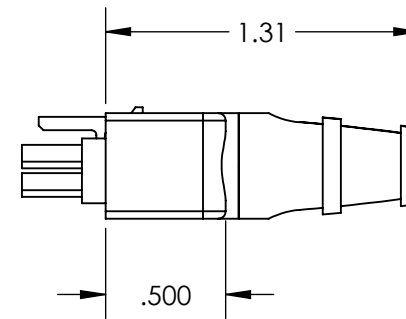
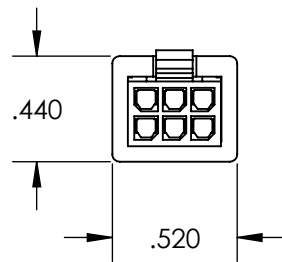
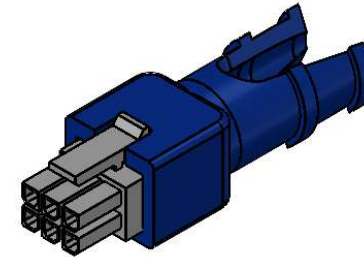
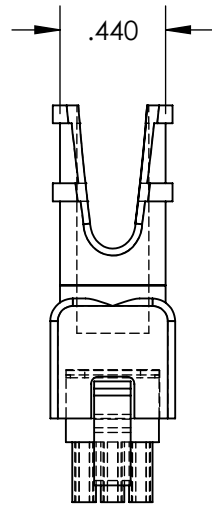


Notes:

1. Use With Molex Conn: 43025-0600 (or similar)
2. Molded in Black (Other colors and materials available directly through ISC)
3. ISC can build and overmold your assembly as a Turnkey Solution



Mold Material: PVC, M1472, Black, RoHS



	NAME	DATE
DRAWN	Duffield, Matt	2/23/2021
ENG APPR.		
Q.A.		

Interconnect Solutions Company  
 4351 Schaefer Ave, Chino, CA 91710  
 Ph: 909-203-1121  
 Fax: 909-596-3335  
 www.interconnectsolutions.com

DIMENSIONS ARE SUBJECT TO CHANGE

PROPRIETARY AND CONFIDENTIAL

THE INFORMATION CONTAINED IN THIS DRAWING IS THE SOLE PROPERTY OF INTERCONNECT SOLUTIONS COMPANY. ANY REPRODUCTION IN PART OR AS A WHOLE WITHOUT THE WRITTEN PERMISSION OF ISC IS PROHIBITED.

DIMENSIONS ARE IN INCHES

TOLERANCES:  
 Two Decimal: +. .01  
 Three Decimal: +. .005

FINISH  
 MATERIAL 50000214

USED ON

DO NOT SCALE DRAWING

VOLUME: 0.16 inch<sup>3</sup>

COMMENTS:

CONNECTOR P/N: Molex Micro-Fit

CABLE SIZE - .100"-.300"

Description:  
 Molex Micro-Fit Boot  
 6 Pos Dual Row Rectp  
 Cables .100"-.300"

SIZE	Drawing No:	REV.
<b>A</b>	14607721	

SCALE: 5:4 SHEET 1 OF 1