



Rail D-Sub Backshells

TE Internal #: 1-2308350-8

Crimp Barrel, Shielded, Rail D-Sub Backshells

[View on TE.com >](#)

Connectors > Connector Accessories > Connector Strain Relief > Crimp Barrel for D-Sub Connectors



Strain Relief Accessory Type: **Crimp Barrel**

Shielded: **Yes**

Thread Size: **None**

Operating Temperature Range: **-40 – 90 °C [ -40 – 194 °F ]**

[All Crimp Barrel for D-Sub Connectors \(22\)](#)

**Features**

**Product Type Features**

Strain Relief Accessory Type	Crimp Barrel
------------------------------	--------------

**Mechanical Attachment**

Thread Size	None
-------------	------

**Usage Conditions**

Operating Temperature Range	-40 – 90 °C[-40 – 194 °F]
-----------------------------	---------------------------

**Operation/Application**

Shielded	Yes
----------	-----

**Product Compliance**

[For compliance documentation, visit the product page on TE.com>](#)

EU RoHS Directive 2011/65/EU	Compliant with Exemptions
EU ELV Directive 2000/53/EC	Not Yet Reviewed
China RoHS 2 Directive MIIT Order No 32, 2016	Restricted Materials Above Threshold
EU REACH Regulation (EC) No. 1907/2006	



Current ECHA Candidate List: JUNE 2023 (235)

Candidate List Declared Against: JUNE 2023 (235)

SVHC > Threshold:

Pb (3.5% in Component Part)

**Article Safe Usage Statements:**

Do not eat, drink or smoke when using this product. Wash thoroughly after handling. Recycle if possible and dispose of the article by following all applicable governmental regulations relevant to your geographic location.

Halogen Content

Low Halogen - Br, Cl, F, I < 900 ppm per homogenous material. Also BFR/CFR/PVC Free

Solder Process Capability

Not reviewed for solder process capability

**Product Compliance Disclaimer**

This information is provided based on reasonable inquiry of our suppliers and represents our current actual knowledge based on the information they provided. This information is subject to change. The part numbers that TE has identified as EU RoHS compliant have a maximum concentration of 0.1% by weight in homogenous materials for lead, hexavalent chromium, mercury, PBB, PBDE, DBP, BBP, DEHP, DIBP, and 0.01% for cadmium, or qualify for an exemption to these limits as defined in the Annexes of Directive 2011/65/EU (RoHS2). Finished electrical and electronic equipment products will be CE marked as required by Directive 2011/65/EU. Components may not be CE marked. Additionally, the part numbers that TE has identified as EU ELV compliant have a maximum concentration of 0.1% by weight in homogenous materials for lead, hexavalent chromium, and mercury, and 0.01% for cadmium, or qualify for an exemption to these limits as defined in the Annexes of Directive 2000/53/EC (ELV). Regarding the REACH Regulation, the information TE provides on SVHC in articles for this part number is based on the latest European Chemicals Agency (ECHA) 'Guidance on requirements for substances in articles' posted at this URL: <https://echa.europa.eu/guidance-documents/guidance-on-reach>

## Compatible Parts



TE Part # 1-2308348-8  
CRIMP FLANGE 8 LARGE




TE Part # CAT-R131-F614  
Crimp Flange for Size 1-3STD/1-4QL Shell




TE Part # 1-2823558-4  
CRIMP INSERTS (BARREL ID 8.5 X OD 9.5)


## Also in the Series | Rail D-Sub Backshells



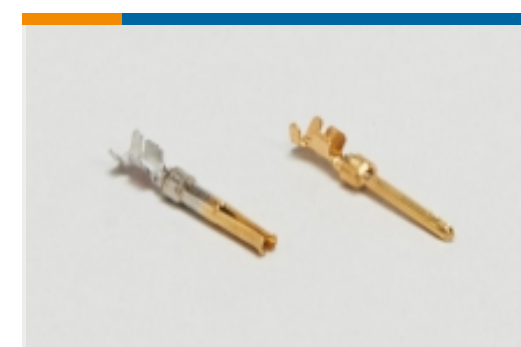
Connector Backshells(69)



Connector Strain Relief(53)



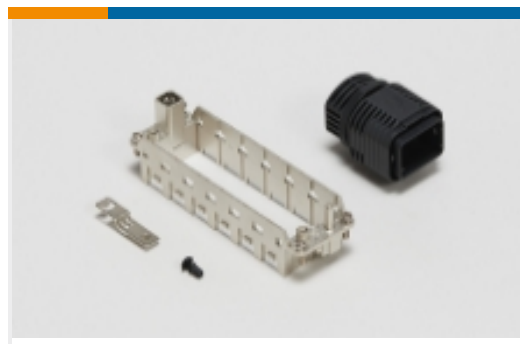
Crimp D-Sub Connectors(10)



D-Sub Connector Contacts(5)

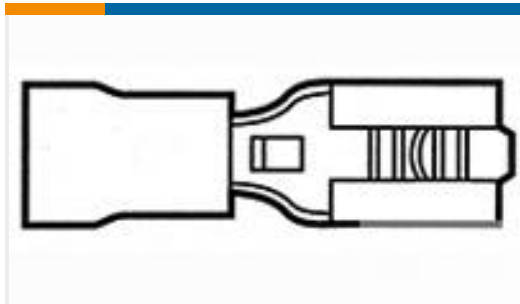


Insertion & Extraction Tools(2)



Rectangular Connector Hardware(19)

## Customers Also Bought



TE Part #9-160481-1  
4,8 PIDG FASTON REC



TE Part #1-2308348-9  
CRIMP FLANGE 9 LARGE



TE Part #323030  
SPLICE,SOLIS PARA HR 22-16



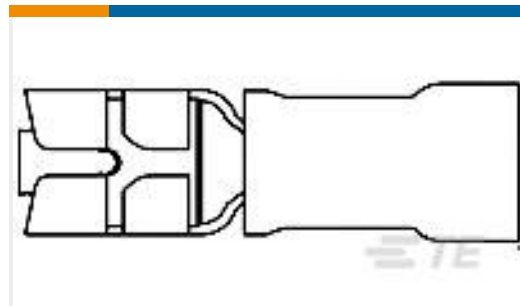
TE Part #1-1703061-2  
PLUG, 2 CIRCUIT , UNIVERSAL MATE-  
N-LOK



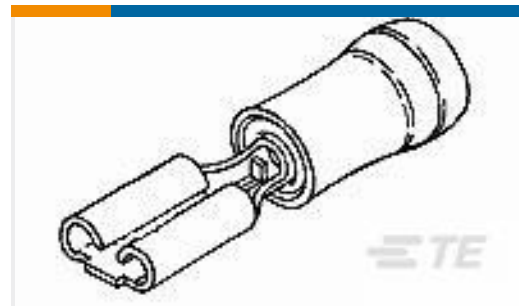
TE Part #1987328-1  
RJ45 COMMON CORE, 4x2 POS.



TE Part #130090  
PIDG RING TONGUE



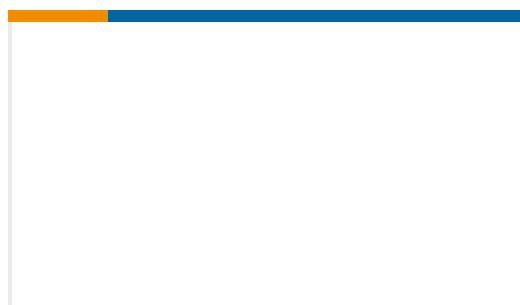
TE Part #184268-1  
RCPT,PIDG FASTON 187 LIF 22-18



TE Part #165565-2  
2,8 PIDG FASTON REC



TE Part #710031-4  
XCT 10-6



TE Part #D-142-51  
D-142-51

## Documents

### Product Drawings

[CRIMP BARRELS](#)

English

### CAD Files

[3D PDF](#)

[3D](#)

[Customer View Model](#)

[ENG\\_CVM\\_CVM\\_1-2308350-8\\_A.2d\\_dxf.zip](#)



English

Customer View Model

[ENG\\_CVM\\_CVM\\_1-2308350-8\\_A.3d\\_igs.zip](#)

English

Customer View Model

[ENG\\_CVM\\_CVM\\_1-2308350-8\\_A.3d\\_stp.zip](#)

English

By downloading the CAD file I accept and agree to the [Terms and Conditions](#) of use.

## Datasheets & Catalog Pages

[Rail D-Sub Backshells Flyer](#)

English