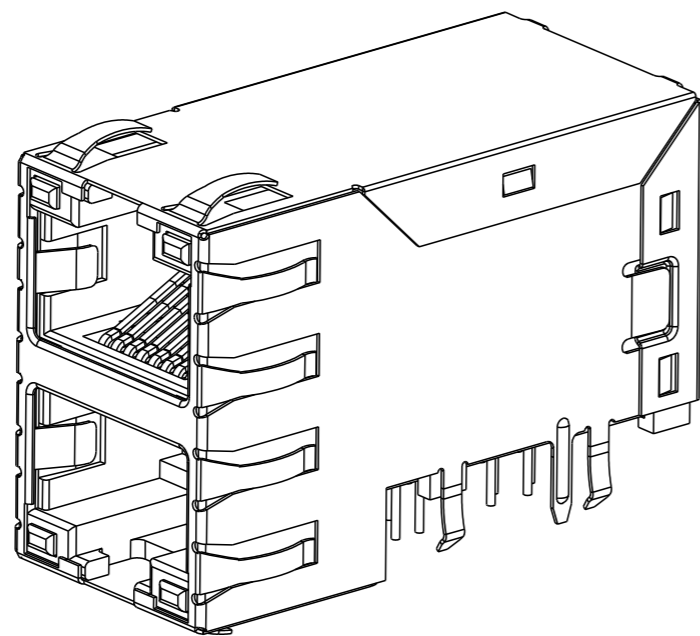


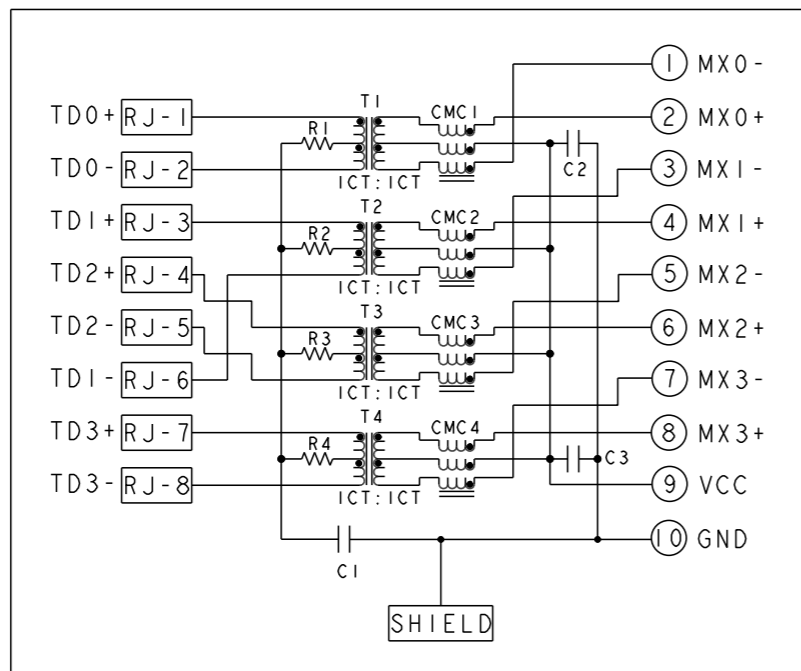
THIS DRAWING AND THE SUBJECT MATTER SHOWN THEREON ARE CONFIDENTIAL AND THE PROPERTY OF BEL/STEWART/TRP CONNECTOR AND SHALL NOT BE REPRODUCED, COPIED, OR USED IN ANY MANNER WITHOUT THE WRITTEN CONSENT OF TRP CONNECTOR.

PRODUCT MAY BE PROTECTED BY ONE OR MORE OF THE FOLLOWING US PATENTS:
 5736910 5939955 6425781 6428361 6554638 6840817 7123117
 7429195 7717749 7808751 6217391 6149050 7924130

REVISIONS				
#	LT#	DESCRIPTION	DATE	OWN APVD
1		INITIAL RELEASE	17APR2018	QL TY
A		EC-2009010	21SEP2020	QL TY



S8G56 GIGABIT CIRCUIT Δ Δ
 TOP AND BOTTOM PORTS

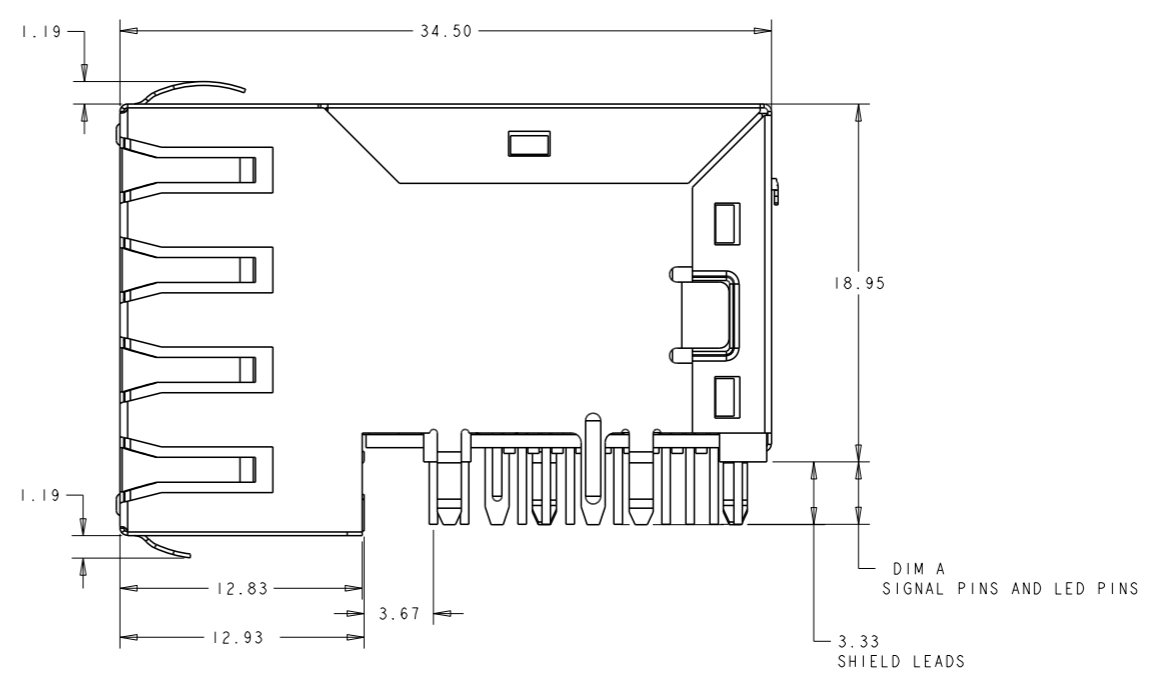
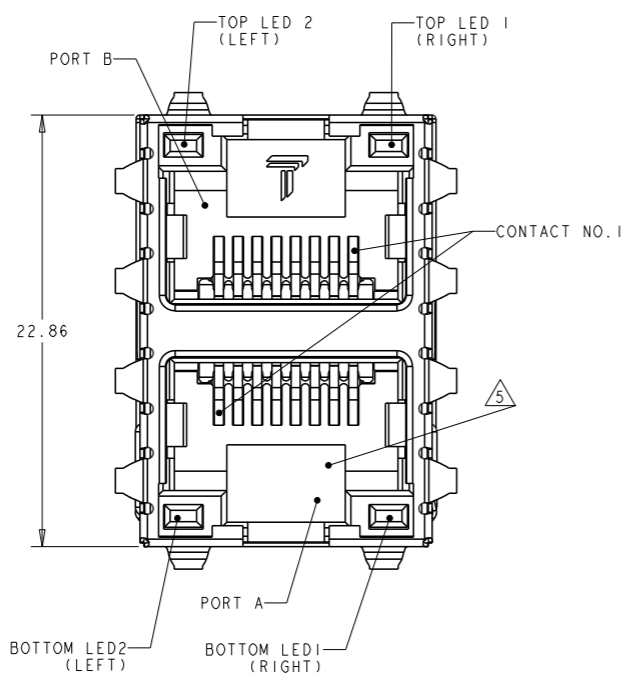
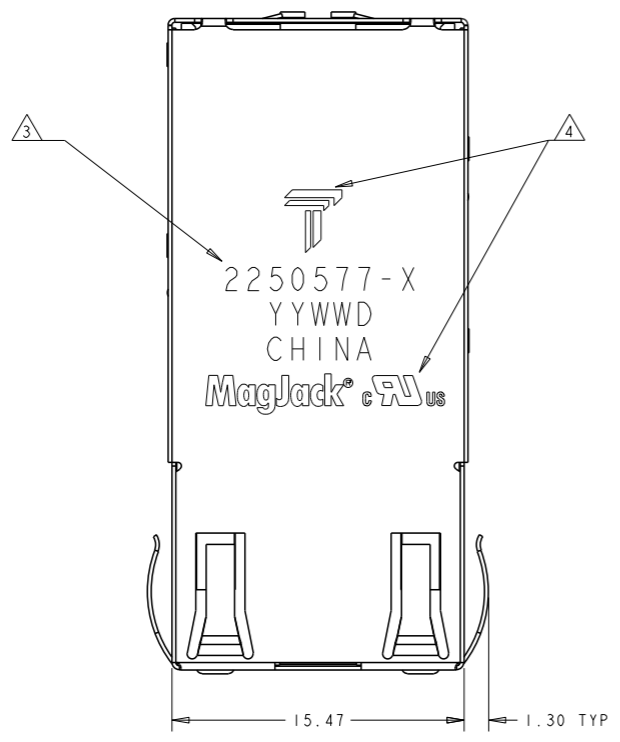


C1 = 1000pF, 2kV CAPACITOR
 C2 - C3 = 10nF, 50V CAPACITORS
 R1 - R4 = 75 Ohms, 1/16W, RESISTORS

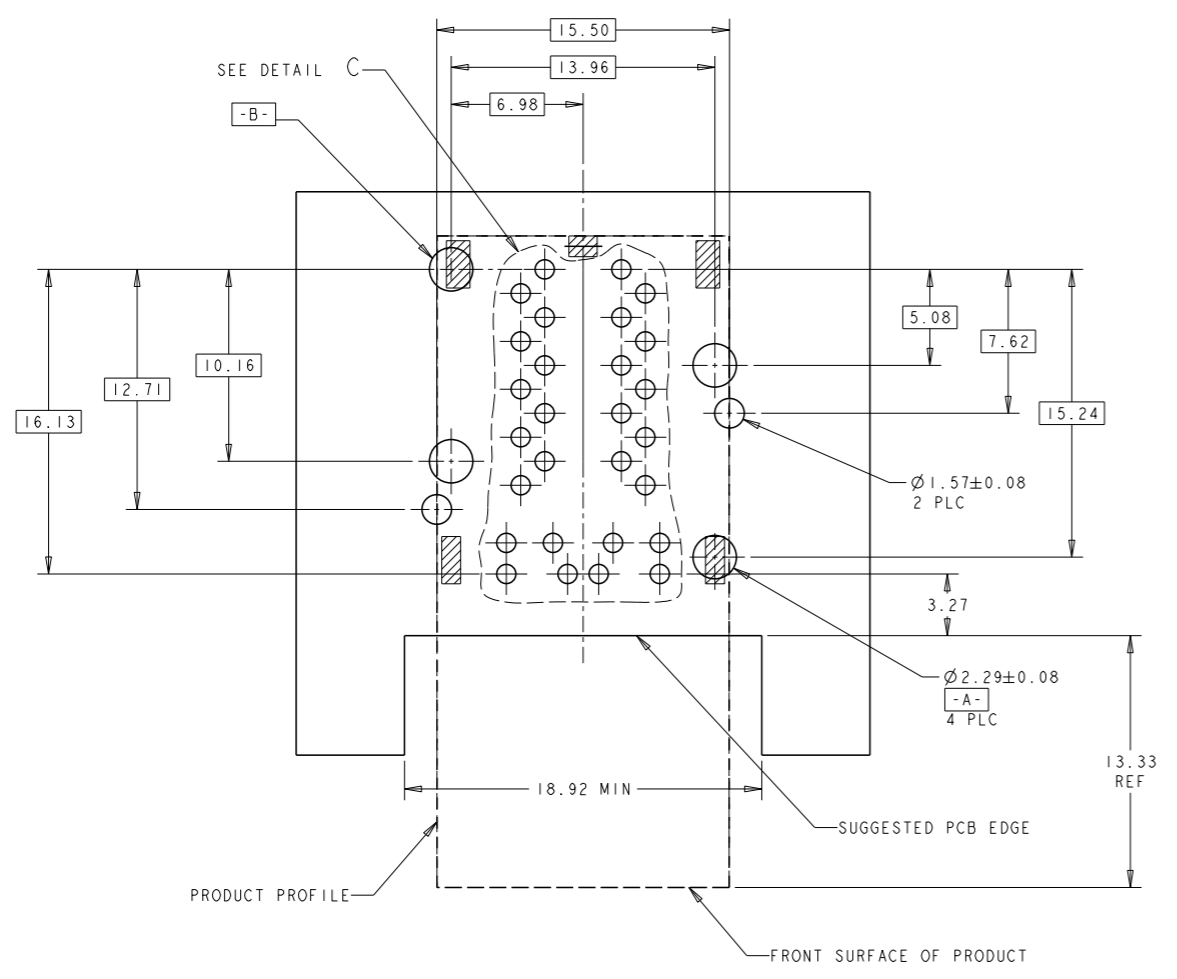
- 1 MATERIALS:
 - HOUSING: THERMOPLASTIC, BLACK, FLAMMABILITY RATING UL 94V-0.
 - SHIELD: BRASS, PREPLATED WITH 0.76um MIN SEMI-BRIGHT NICKEL, POST DIPPED WITH 2.54um MIN SAC SOLDER ON SOLDER TAILS.
 - CONTACTS: PHOSPHOR BRONZE, PLATED WITH 1.27um MIN OVERALL NICKEL UNDERPLATE, SELECTIVE 1.27um MIN GOLD AT MATING INTERFACE AND 4.00um MIN MATTE TIN ON SOLDER TAILS.
- Δ 2 MAGNETICS
 - APPLICATION: 10/100/1000 BASE-T
 - IMPEDANCE: 100 OHMS
 - TURNS RATIO (CHIP:CABLE): 1:1 ALL FOUR PAIRS
 - OPEN CIRCUIT INDUCTANCE (OCL): 350uH MIN @100kHz, 0.1VRMS, 8mADC BIAS FROM 0 °C TO 70 °C, ALL FOUR PAIRS
 - ALL FOUR PAIRS BI-DIRECTIONAL
 - PERFORMANCE @ 25 °C:
 - INSERTION LOSS (IL): 1.1dB MAX FROM 0.5MHz TO 100MHz
 - RETURN LOSS (RL): 18dB MIN FROM 0.5MHz TO 40MHz
 - 12-20LOG(f/80)dB MIN FROM 40.1MHz TO 100MHz
 - CROSSTALK ATTENUATION: 35dB MIN FROM 0.5MHz TO 40MHz
 - 33-20LOG(f/50)dB MIN FROM 40.1MHz TO 100MHz
 - COMMON MODE REJECTION RATIO (CMRR): 30dB MIN FROM 0.5MHz TO 100MHz
 - ISOLATION VOLTAGE: COMPLIES WITH IEEE802.3 2002, PARA 40.6.1.1, ITEM b.
- Δ 3 PART NUMBER, DATE CODE AND COUNTRY OF ORIGIN ARE LOCATED IN THE APPROXIMATE AREA SHOWN. DATE CODE YY IS YEAR, WW IS WORK WEEK, D IS DAY OF WEEK, WITH SUNDAY=1
- Δ 4 TRP LOGO AND AGENCY APPROVAL LOGO ARE LOCATED IN THE APPROXIMATE AREA SHOWN.
- Δ 5 RJ45 CAVITIES CONFORM TO FCC RULES AND REGULATION PART 68 SUBPART F.
- Δ 6 LEDs ARE DRIVEN WITH CONSTANT CURRENT AT APPROX. 20mA.
 - DOMINANT WAVELENGTH (λ D)
 - GREEN, 568nm TYP AT IF=20mA
 - YELLOW, 588nm TYP AT IF=20mA
 - FORWARD VOLTAGE (VF)
 - GREEN, 2.2V TYP AT IF=20mA
 - YELLOW, 2.1V TYP AT IF=20mA
- Δ 7 INDICATED MAGNETIC CONNECTIONS ARE SYMMETRICAL AND SUPPORT AUTO-MDI/MDIX.
- 8 OPERATING TEMPERATURE: FROM 0 °C TO 70 °C
- 9 THE PART IS RECOMMENDED FOR WAVE SOLDERING PROCESS, PEAK TEMPERATURE 260°C MAX, 10 SECONDS MAX.

2.10	GREEN/YELLOW	GREEN/YELLOW	GREEN/YELLOW	GREEN/YELLOW	2-2250577-1
3.30	GREEN	YELLOW	GREEN	YELLOW	2250577-2
3.30	GREEN/YELLOW	GREEN/YELLOW	GREEN/YELLOW	GREEN/YELLOW	2250577-1
DIM A	BOTTOM LED 2(LEFT)	BOTTOM LED 1(RIGHT)	TOP LED 2(LEFT)	TOP LED 1(RIGHT)	PART NUMBER

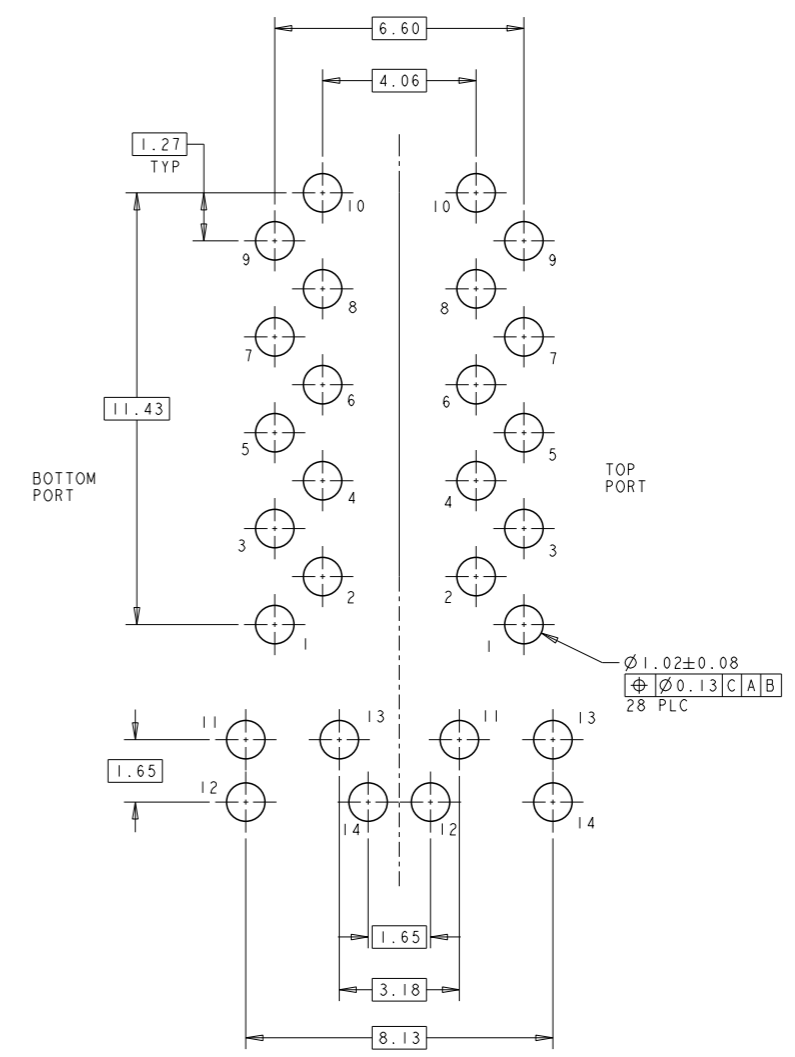
THIS DRAWING IS A CONTROLLED DOCUMENT. AND COMPLIANT TO ASME Y14.5M		DWN: 17APR2018 CHK: QUENTIN LIU/JERRY TOWER YU APVD: 17APR2018 TONY YUAN		DONGGUAN CHINA	
DIMENSIONS: mm		TOLERANCES UNLESS OTHERWISE SPECIFIED:		MODEL NAME: MAGJACK	
0 PLC \pm 0.25 1 PLC \pm 0.25 2 PLC \pm 0.25 3 PLC \pm 4 PLC \pm ANGLES \pm		APPLICATION SPEC: -		DESC: 2X1 S8G56 GIGABIT CIRCUIT, OFFSET, WITH LED	
PRODUCT SPEC: 108-104004		SCALE: NTS		SHEET 1 OF 4 REV A	
CUSTOMER DRAWING		CAGE CODE: A1		DRAWING NO: C=2250577	



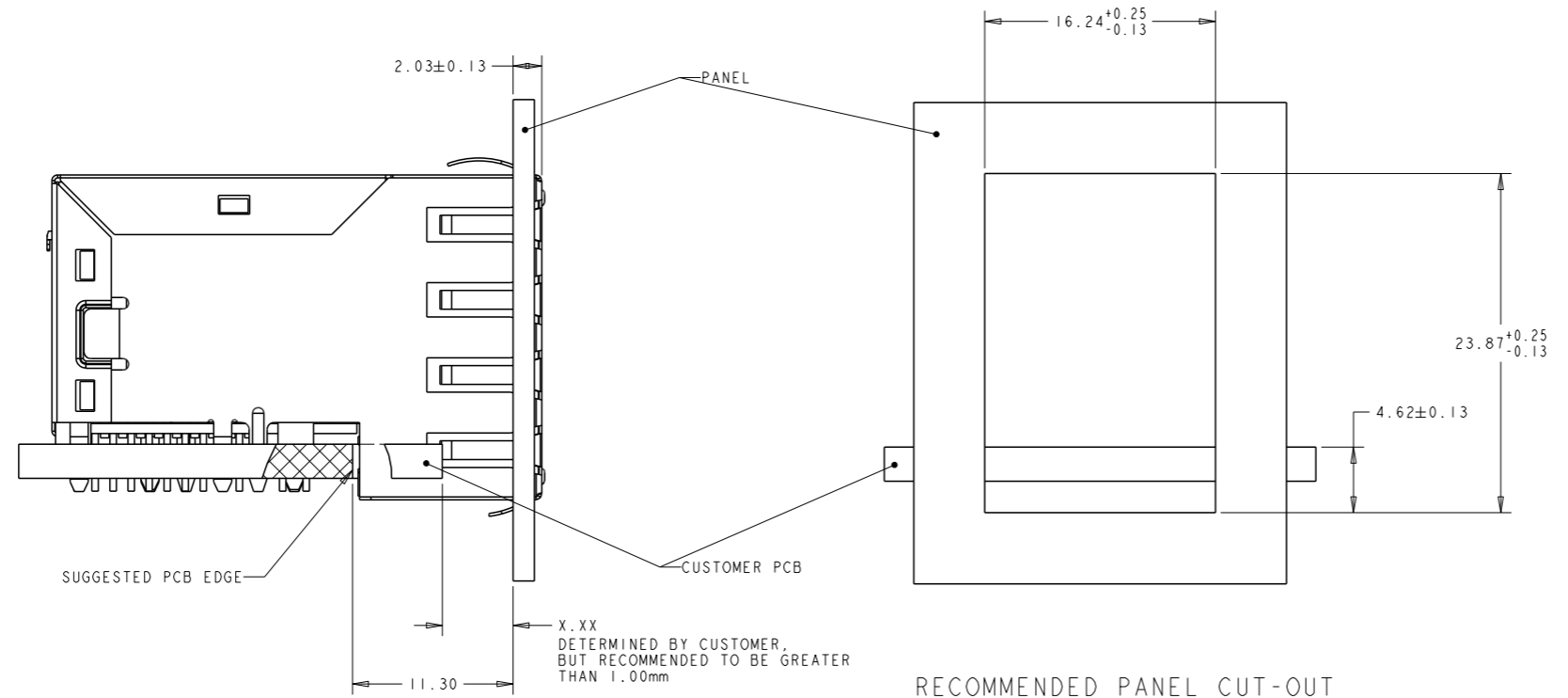
THIS DRAWING IS A CONTROLLED DOCUMENT. AND COMPLIANT TO ASME Y14.5M		DWN: QUENTIN LIU/JERRY 17APR2018 CHK: TOWER YU 17APR2018 APP'D: TONY YUAN 17APR2018	trp CONNECTOR DONGGUAN CHINA
DIMENSIONS: mm	TOLERANCES UNLESS OTHERWISE SPECIFIED: 0 PLC ±0.25 1 PLC ±0.25 2 PLC ±0.25 3 PLC ± 4 PLC ± ANGLES ±	MODEL NAME: MAGJACK DESC: 2X1 S8G56 GIGABIT CIRCUIT, OFFSET, WITH LED	
PRODUCT SPEC: 108-104004	APPLICATION SPEC: -	SIZE: A1 CAGE CODE: - DRAWING NO: C=2250577	RESTRICTED TO: - SCALE: NTS SHEET: 2 OF 4 REV: A



RECOMMENDED PC BOARD LAYOUT VIEW FROM COMPONENT SIDE

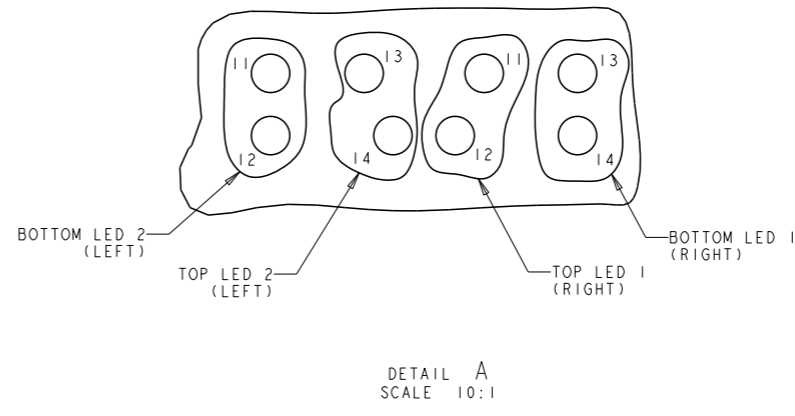
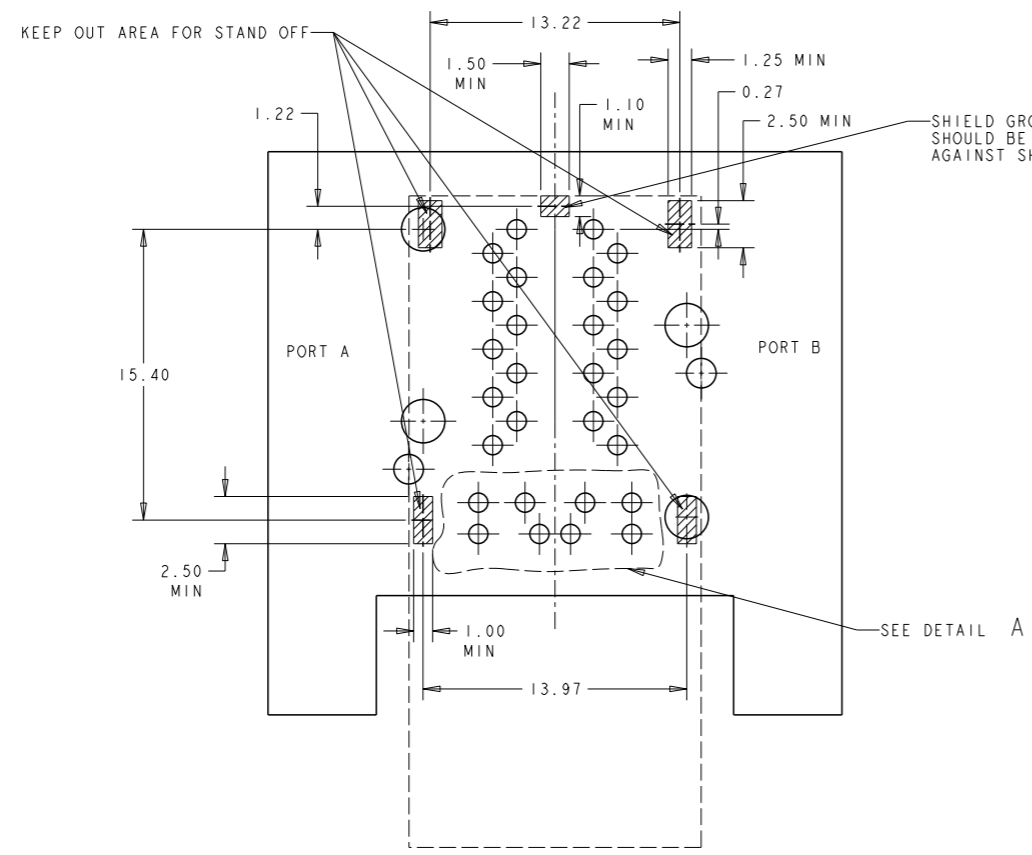


DETAIL C SCALE 10:1



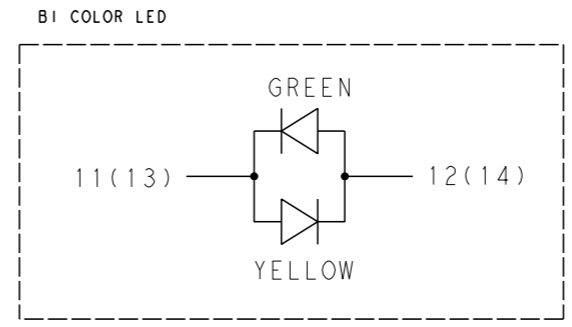
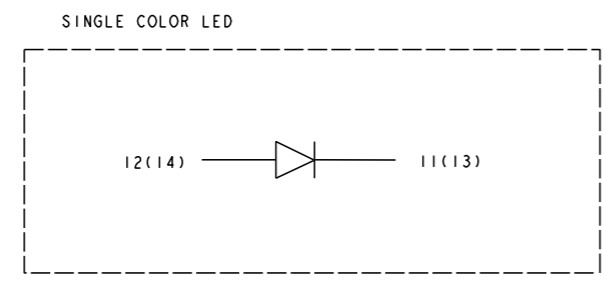
RECOMMENDED PANEL CUT-OUT

THIS DRAWING IS A CONTROLLED DOCUMENT. AND COMPLIANT TO ASME Y14.5M		DWN: QUENTIN LIU/JERRY 17APR2018 CHK: TOWER YU 17APR2018 APP'D: TONY YUAN 17APR2018		trp CONNECTOR DONGGUAN CHINA
DIMENSIONS: mm		TOLERANCES UNLESS OTHERWISE SPECIFIED:		
		0 PLC ±0.25 1 PLC ±0.25 2 PLC ±0.25 3 PLC ±0.25 4 PLC ±0.25 ANGLES ±°		MODEL NAME: MAGJACK
PRODUCT SPEC: 108-104004		APPLICATION SPEC: -		DESC: 2X1 S8G56 GIGABIT CIRCUIT, OFFSET, WITH LED
SIZE: A1		CAGE CODE: C=2250577		RESTRICTED TO: -
CUSTOMER DRAWING				SCALE: NTS SHEET 3 OF 4 REV A



KEEP OUT AREA & LED HOLE DESIGNATIONS & PORT ASSIGNMENT VIEW FROM COMPONENT SIDE

TOLERANCE: ±0.08 mm



THIS DRAWING IS A CONTROLLED DOCUMENT. AND COMPLIANT TO ASME Y14.5M		DWN: QUENTIN LIU/JERRY 17APR2018	DONGGUAN CHINA
DIMENSIONS: mm		CHK: TOWER YU 17APR2018	
TOLERANCES UNLESS OTHERWISE SPECIFIED:		APP'D: TONY YUAN 17APR2018	MODEL NAME: MAGJACK
0 PLC ±0.25	1 PLC ±0.25	2 PLC ±0.25	DESC: 2X1 S8G56 GIGABIT CIRCUIT, OFFSET, WITH LED
3 PLC ±0.25	4 PLC ±	ANGLES ±	SIZE: A1
PRODUCT SPEC: 108-104004	APPLICATION SPEC: -	CAGE CODE: -	DRAWING NO: 2250577
CUSTOMER DRAWING			RESTRICTED TO: -
SCALE: NTS			SHEET: 4 OF 4
REV: A			