

THIS DRAWING IS UNPUBLISHED.

RELEASED FOR PUBLICATION

20

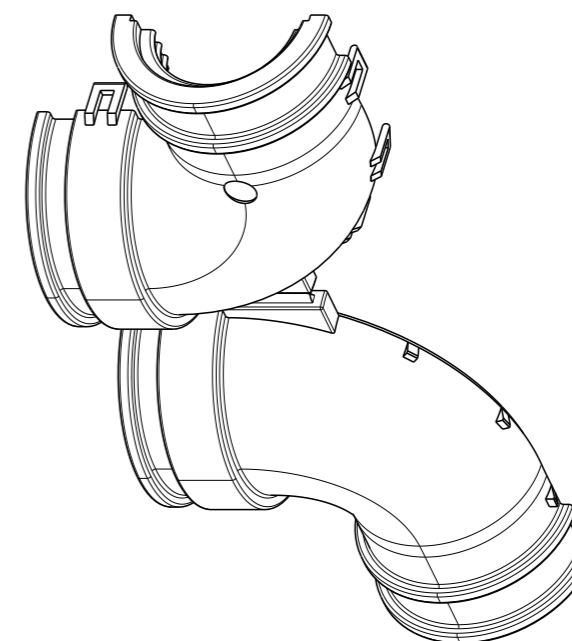
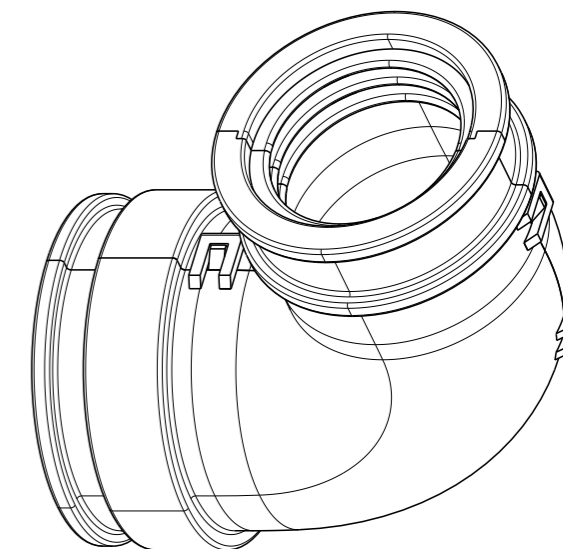
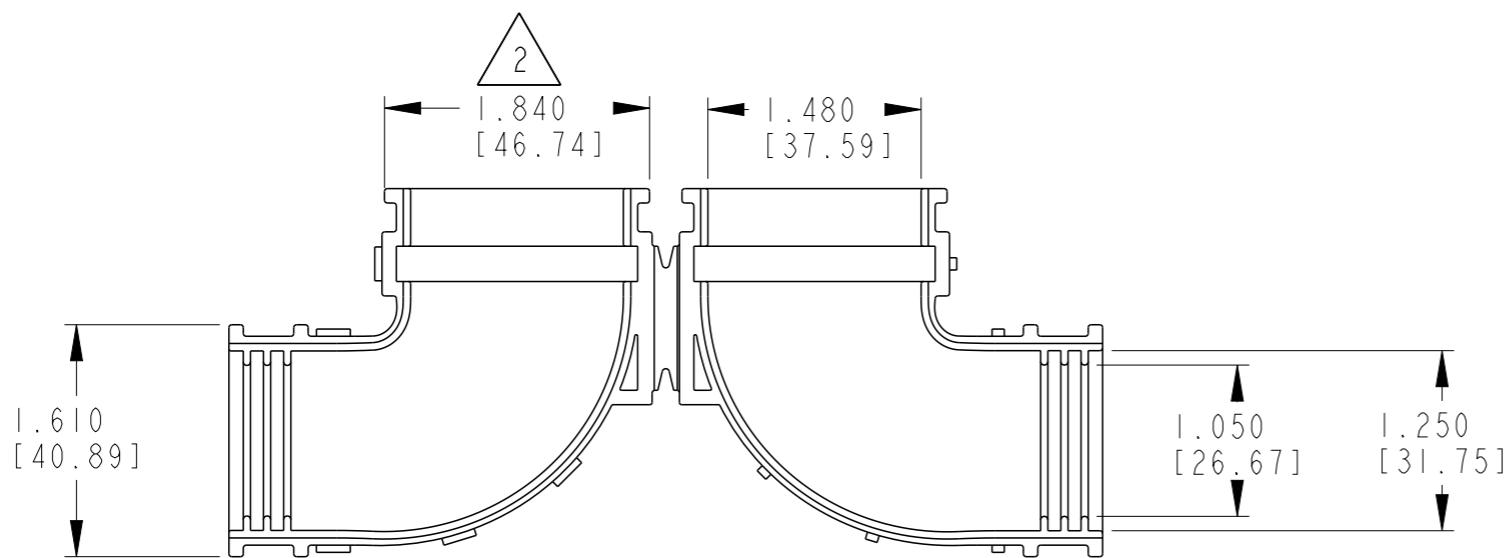
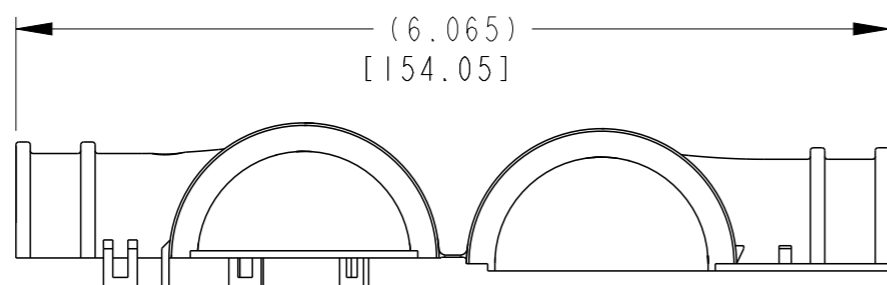
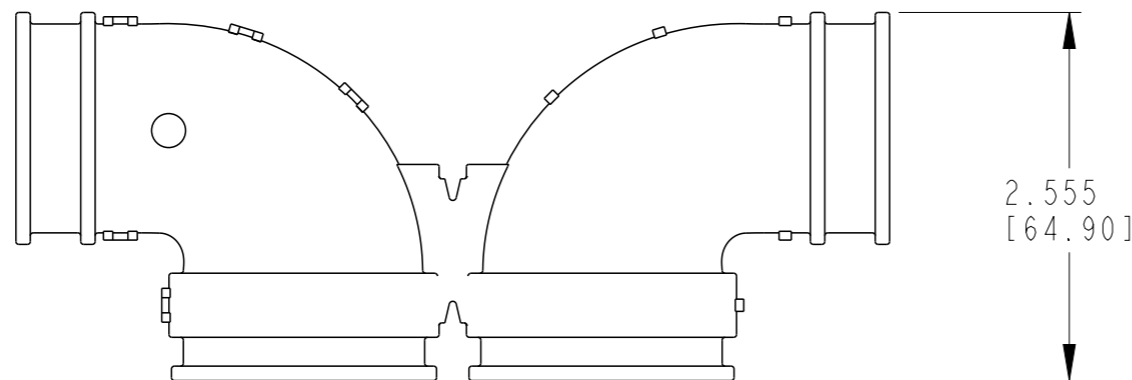
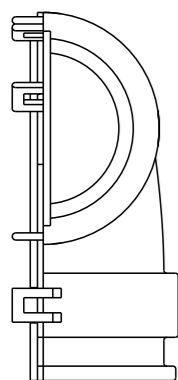
© COPYRIGHT 2017

BY - TE CONNECTIVITY

ALL RIGHTS RESERVED.

REVISIONS

| P  | LTR | DESCRIPTION                 | DATE      | DWN | APVD |
|----|-----|-----------------------------|-----------|-----|------|
| NC |     | NEW RELEASE PER E.O. PI5628 | 8MAY1998  |     | RDR  |
| A  |     | REVISED PER E.O. PI7102     | 23JAN2001 |     | RDR  |
| A1 |     | TEMPLATE CHANGE ONLY        | 31JAN2017 | CM  | DM   |
| A2 |     | REVISED PER PCN E-19-018920 | 04DEC2019 | EC  | IG   |



3. RECOMMENDED CONDUIT SIZE: 1"

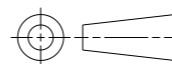
2. THIS DIMENSION APPLIES AFTER BACKSHELL MATED TO HDP24/26-XXP/SX-L017.

1. THIS PART MATES WITH HDP24/26-24-XXP/SX-L017. (XX = ARRANGEMENT; X = SEAL TYPE)

NOTES:

THIS DRAWING IS A CONTROLLED DOCUMENT.

DIMENSIONS:  
INCHES [mm]



TOLERANCES UNLESS OTHERWISE SPECIFIED:

|        |              |
|--------|--------------|
| 0 PLC  | ±            |
| 1 PLC  | ±            |
| 2 PLC  | ±            |
| 3 PLC  | ±.025 [0.64] |
| 4 PLC  | ±            |
| ANGLES | ±0° 30' 0"   |

MATERIAL  
PA66 (BLACK)

FINISH  
-

DWN J. WOODY 29APR1998

CHK S. PALLUTH 17JAN2001

APVD R. REED 23JAN2001

PRODUCT SPEC

108-151015

APPLICATION SPEC

114-151015

WEIGHT 0.31 GR

CUSTOMER DRAWING



TE Connectivity

NAME  
90DEG BACK SHELL 24 SIZE  
HDP SERIES

SIZE CAGE CODE DRAWING NO RESTRICTED TO

A3 4AFU8 C-2428-004-2405 -

SCALE 1:1 SHEET 1 OF 1 REV A2