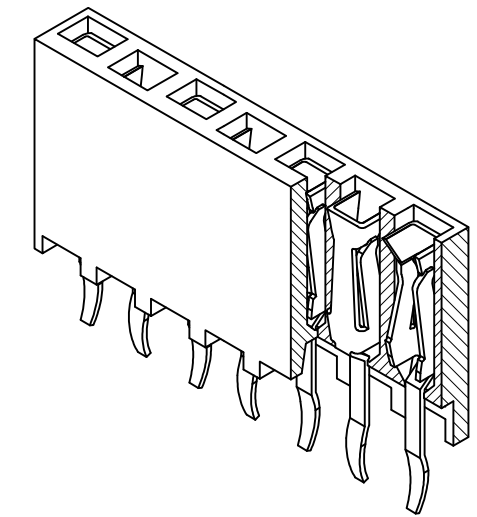
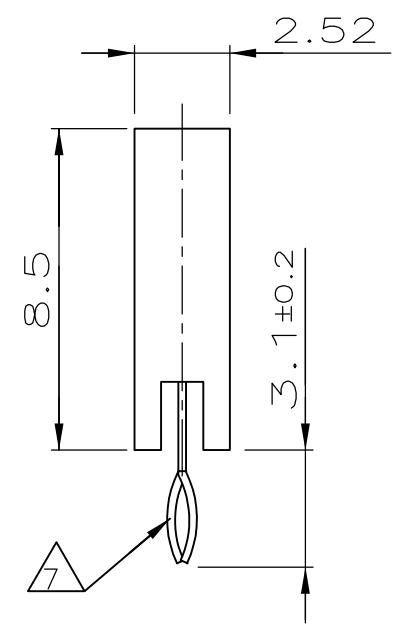
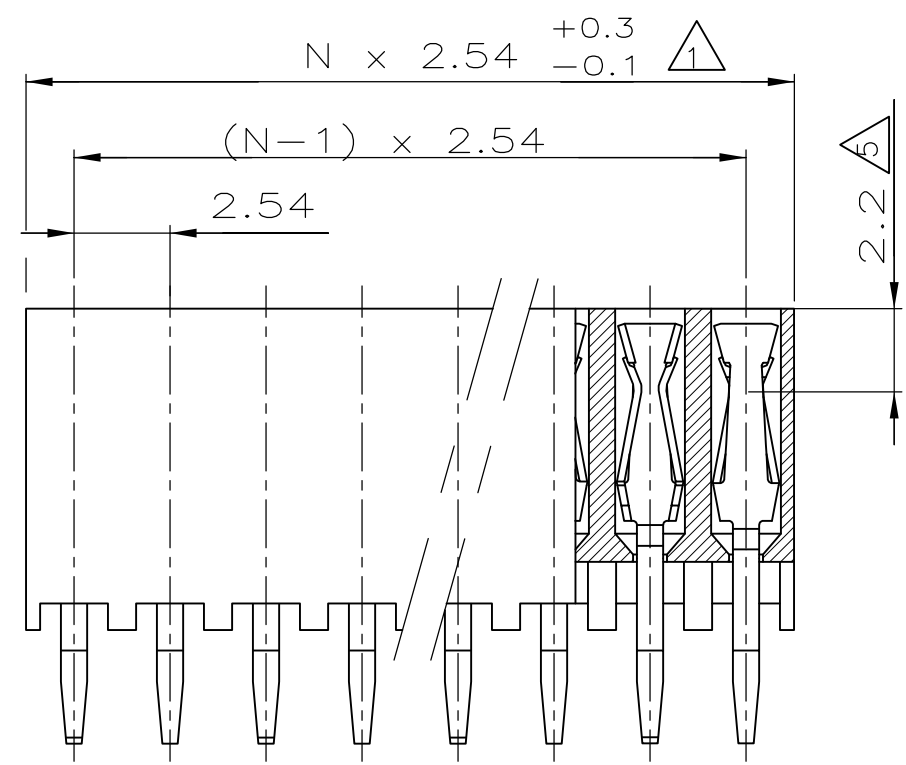
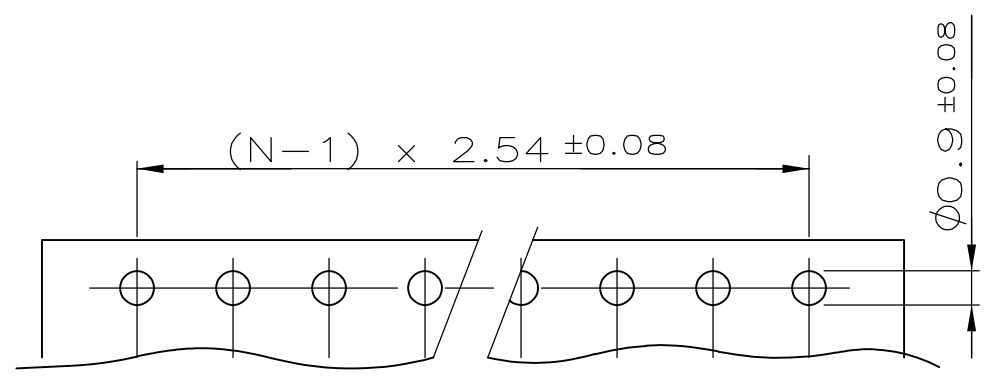
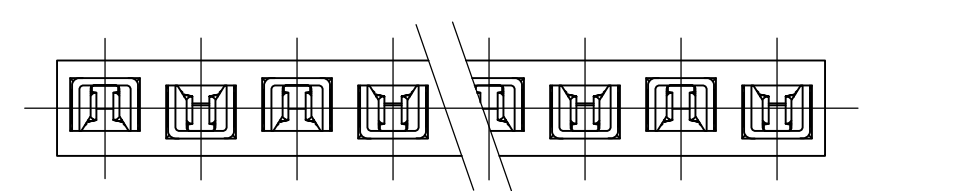


THIS DRAWING IS UNPUBLISHED. RELEASED FOR PUBLICATION  
 © COPYRIGHT - By - ALL RIGHTS RESERVED.

LOC	DIST	REVISIONS					
		P	LTR	DESCRIPTION	DATE	DWN	APVD
-	-	D		HOUSING RESIN MATERIAL CHANGED	25DEC2013	TJ	JK



POLZ.	L	BESTELL-NR.	
-	-	-	
2	5.08	215 299-2	
3	7.62	-3	
4	10.16	-4	
5	12.70	-5	
6	15.24	-6	
7	17.78	-7	OBSOLETE
8	20.32	-8	
9	22.86	-9	OBSOLETE
10	25.40	1-	-0
11	27.94	1-	-1 OBSOLETE
12	30.48	1-	-2
13	33.02	1-	-3 OBSOLETE
14	35.56	1-	-4
15	38.10	1-	-5 OBSOLETE
16	40.64	1-	-6
17	43.18	1-	-7 OBSOLETE
18	45.72	1-	-8
19	48.26	1-	-9 OBSOLETE
20	50.80	2-	-0
21	53.34	2-	-1
22	55.88	2-	-2
23	58.42	2-	-3
24	60.96	2-	-4 OBSOLETE
25	63.50	2-	-5 OBSOLETE
26	66.04	2-	-6 OBSOLETE
27	68.58	2-	-7
28	71.12	2-	-8
29	73.66	2-	-9
30	76.20	3-	-0 OBSOLETE
31	78.74	3-	-1 OBSOLETE
32	81.28	3-	-2
33	83.82	3-	-3
34	86.36	3-	-4
35	88.90	3-	-5
36	91.44	3- 215 299-6	OBSOLETE



NOTES:

- 1. TO DETERMINE DIMENSIONS TAKE N = NO. OF POS.  
 FOR EXAMPLE: 10 POS.: N x 2,54 = 25,4 mm.  
 FOR ORDER NO. USE BASIC NO. + NO. OF POS.  
 FOR EXAMPLE: 2 POS.= 215 299-2 (SHORTEST VERSION)  
 36 POS.= 3-215 299-6 (LONGEST VERSION)
- 2. HOUSING MATERIAL: GREEN GLASSFILLED POLYESTER, UL 94V-0  
 CONTACT MATERIAL: PHOSPHOR BRONZE.
- 3. PLATING: UNDERCOATING: 1,3µm Ni.  
 AT CONT.PLACE: 0,8µm Au.  
 AT SOLDER-TYNES: 3,0µm-5,0µm Sn
- 4. MATES WITH 0,63 SQUARE/ROUND MODU POSTS.
- 5. CONTACT-POINT.
- 6. RECOMMENDED P.C.BOARD-THICKNESS: 1,6.
- 7. RETENTION FEATURE.
- 8. HV100 CONNECTOR PACKED IN ANTISTATIC BLISTER TRAY

VERWENDET FÜR  
E 92-9803

P.C.-BOARD HOLE-PATTERN

THIS DRAWING IS A CONTROLLED DOCUMENT.		DWN	09.07.86		<b>STE</b> TE Connectivity
		CHK	L.V.D.HEYDEN		
		APVD	W.SIMONS		
		PRODUCT SPEC	L.v.SOEST		
DIMENSIONS: mm		TOLERANCES UNLESS OTHERWISE SPECIFIED: ±0.1mm		NAME	
		0 PLC ± -		108-19056	
		1 PLC ± -			
MATERIAL		2 PLC ± -		SIZE	
		3 PLC ± -		CAGE CODE	
SEE NOTES		4 PLC ± -		DRAWING NO	
		ANGLES ± -		A300779 C-215299	
SEE NOTES		FINISH		RESTRICTED TO	
		SEE NOTES		-	
CUSTOMER DRAWING				WEIGHT	-
				SCALE	5:1
				SHEET	1 OF 1
				REV	D