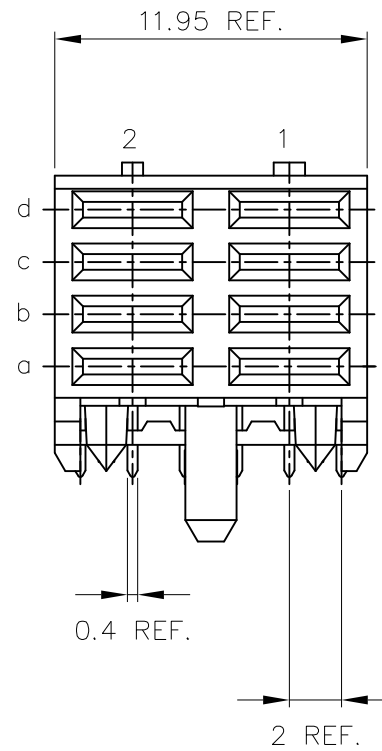
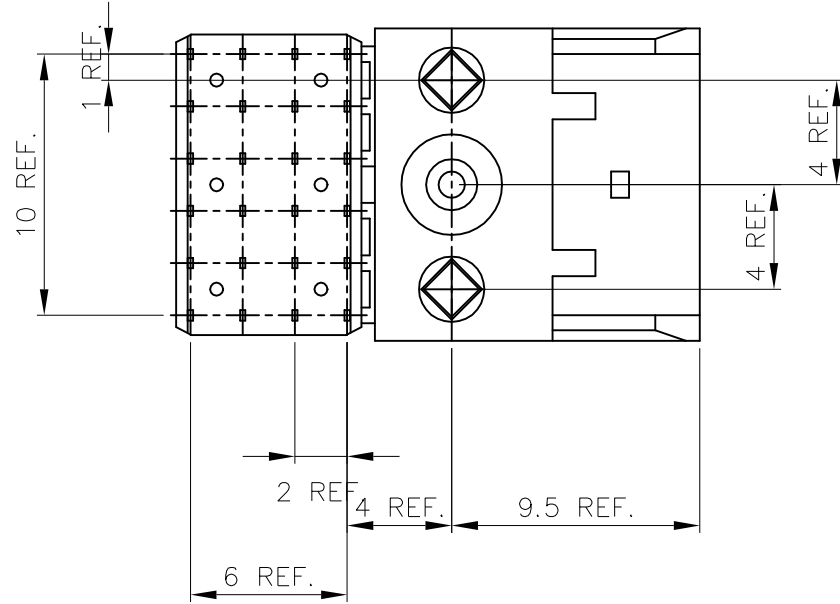
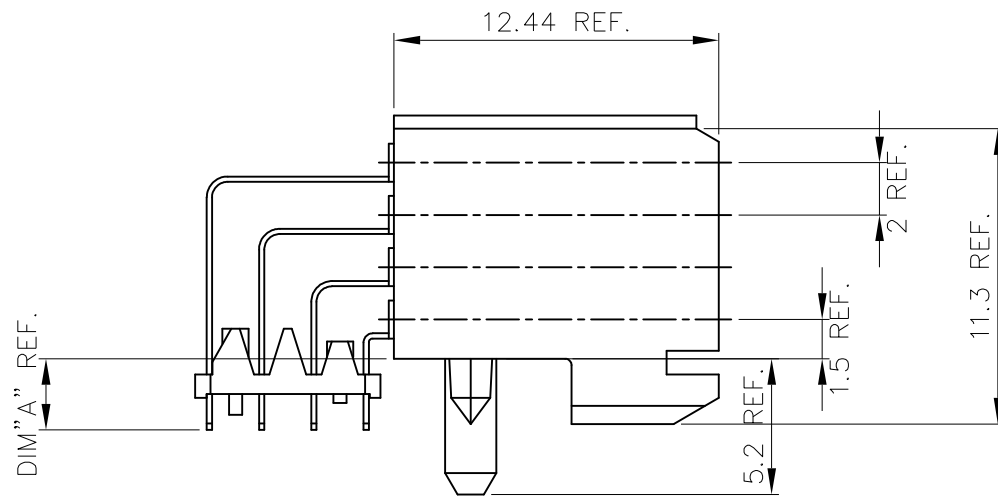
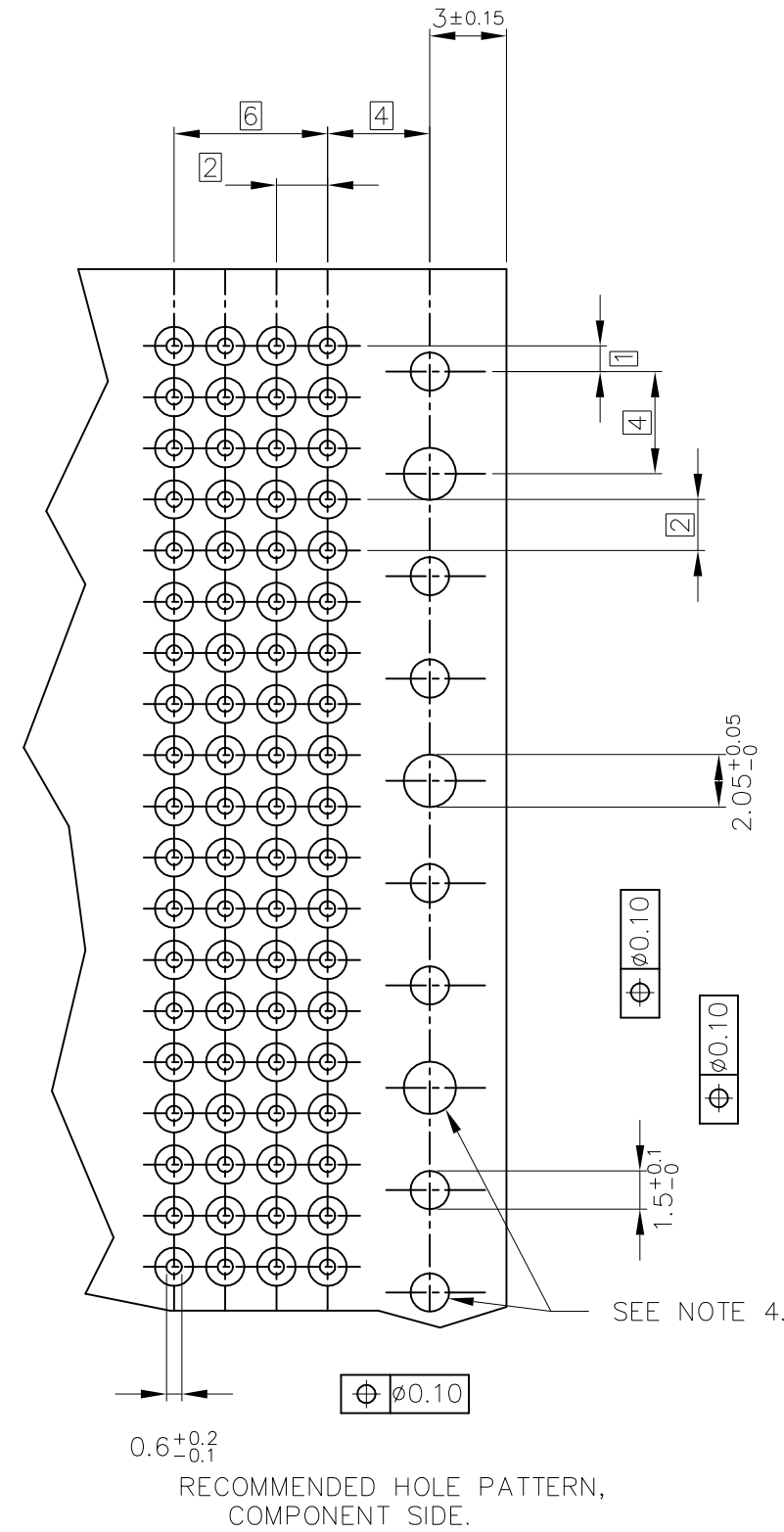
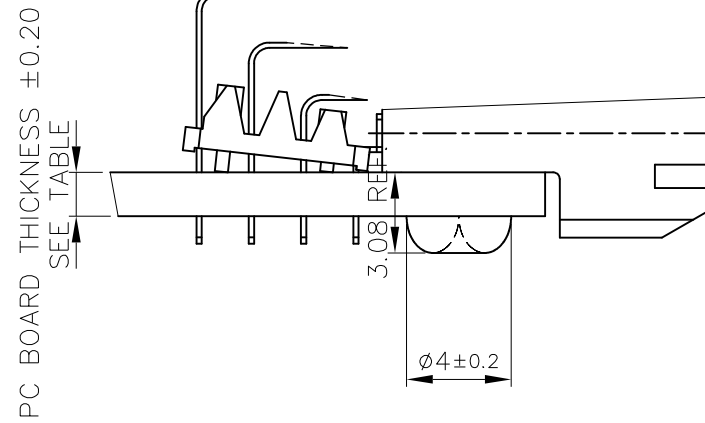


PC BOARD VERSIONS		
PRODUCTNR:	PCB THICKNESS	DIM "A"
85699-701/701LF	1.6	2.90
85699-711/711LF	2.4	3.53



PRODUCT AFTER HOT RIVETTING.



NOTES:

- 1 BODY MAT'L: LIQUID CRYSTAL POLYMER 30% GLASS FLAME RETARDANT ACC. UL 94-V0
- 2 TERMINAL MATERIAL: PHOSPHOR BRONZE.
- 3 PLATING SOLDER TAILS 2-8 μ m SnPb 90-97.
- 4 INDICATED HOLES ARE UNPLATED.
- 5 PRODUCT MARKING: PART NUMBER (see lower table) & BATCH ID.
- 6 THIS PRODUCT MEETS EUROPEAN UNION DIRECTIVES AND OTHER COUNTRY REGULATIONS AS DESCRIBED IN GS-22-008.
- 7 THE HOUSING WILL WITHSTAND EXPOSURE TO 260 DEGREE PEAK TEMPERATURE FOR 10 SECONDS IN A WAVE SOLDER APPLICATION.
- 8 FOR THE PRODUCT WITH 30u" GOLD PLATING IN TERMINAL, THEY CAN BE REPLACED BY 30 GXT PLATING.

PRODUCT NR:	PLATING CONTACT AREA, PERFORMANCE LEVEL	P/N PRINTING
85699-71Z	CUSTOMER SPECIAL	RNV 636 1181
85699-70Z	CUSTOMER SPECIAL	RNV 636 1111
85699-71ZLF	CUSTOMER SPECIAL	85699-71ZLF
85699-70ZLF	CUSTOMER SPECIAL	85699-70ZLF

mat'l. code				surface ISO 1302 ✓		tolerance ISO 406 ISO 1101		projection		product family METRAL	
ltr ecn no dr date				tolerances unless otherwise specified		angles linear		MM		title	
A H80170 PHE 980316										RA FEMALE POWER	
B H80210 PHE 980403										STB 12 mm VERSION	
C DG05-0239 CLU 050725								scale 5:1		dwg no	
D DG07-0458 Cen 11/15/07				dr P. Hendrikse 980316						sheet 1 of 1 size	
E ELX-N-26608 MZ 3/28/17				enr P. Schalk 980316						85699 A3	
				chr P. Schalk 980316						type Product Customer Drawing	
				appd P. Schalk 980316							
sheet index		revision sheet		E 1							